

# CIRRUS CEILING D1

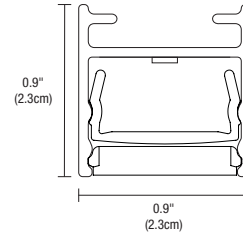
## DOWNLIGHT WITH REMOTE POWER

DESIGNED BY GREGORY KAY | ASSEMBLED IN AMERICA

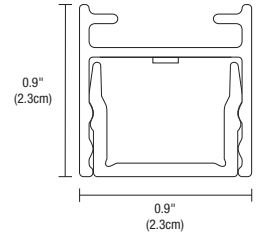
REV 10.27.20



CIRRUS CEILING D1 DOWNLIGHT  
(ACTUAL SIZE)



CHANNEL WITH LOUVER  
(ACTUAL SIZE)



CHANNEL WITHOUT LOUVER  
(ACTUAL SIZE)

### DESCRIPTION

Cirrus Ceiling D1 with Remote 24VDC Power Supply (sold separately) is a linear LED fixture that offers direct light in a clean, contemporary style. Available in increments from 12"-480" and several Metal Finish Options. Choose High or Standard Efficiency in nine color temperatures ranging from 2200K to 5700K, including two Warm Dim options of 2700K (**27D**) or 3000K (**30D**) that dim down to 2000K. Order the Cirrus Ceiling D1 with either a Diffused White Lens with a 100° Beam Spread or a Clear Frosted 60° Lens with a Black or White Louver for additional diffusion. Remote 24VDC power supplies are required and ordered separately. Fixture includes 5 year pro-rated warranty. For custom designs and quotes, send drawings to [design@PureEdgeLighting.com](mailto:design@PureEdgeLighting.com).

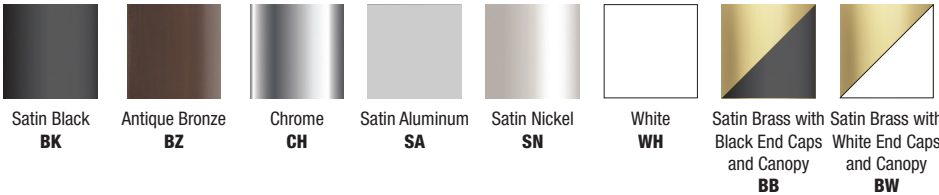
Wattages for this fixture are available in the following options:

- 2W - 2.5 Watts per Foot, Lengths up to 480" (40')
- 5W - 4.4 Watts per Foot, Lengths up to 240" (20')
- 7W - 7.3 Watts per Foot, Lengths up to 156" (13')
- 10W - 9.6 Watts per Foot, Lengths up to 120" (10')

### INSTALLATION

- Mounts to a Standard Junction Box, pre-wired from either a 120V with a 60 Watt NON-IC (50W-IC) Power Supply that fits in the ceiling Electrical Junction Box, or from a Remote Power Supply feeding 24VDC up to 200 Watts at a maximum of 40' away
- Includes your choice of Canopy: 1" Rectangle Junction Box or 4.6" Square Canopy or T-Bar end feed
- Includes Mounting Clips (use one every 24")
- **Power Supplies sold separately, pgs 6, 11-13, 15, 17, 19**

### FINISHES



### LENSES

Diffused White 100° or Clear Frosted\* 60° Lens offered with Black or White Louvers

\*Clear Frosted 60° Lens with no Louver is excellent for Cove Lighting

### APPLICATIONS

Indoor - Kitchens, Dining Rooms, Hallways, Conference Rooms, Offices, Architectural, Cove Lighting, General, and Retail

### LAMPING OPTIONS

- Static Kelvin Temperatures with Static Color Options: 22K, 24K, 27K, 30K, 35K, 40K, 57K
- Warm Dim, Dynamic Tunable White Application: 2700K dims to 1900K, 3000K dims to 2200K, 5W ONLY
- Tunable White, Variable White, Human Centric Application: 4000K-2000K Color Tuning Range, 5 Watt, suitable for warm dim applications, use Remote Power Supplies (not included).
- RGB, Dynamic Color Option: Red, Green, Blue (5 Watt Only)
- 50,000 Hour Lamp Life

### REMOTE POWER SUPPLIES\*, DIMMERS & CONTROLS (SOLD SEPARATELY)

- Electronic Low Voltage Dimming (ELV): 100 Watt
- UNI Driver
- 0-10 Volt Dimming (0-10V)
- Lutron Hi-Lume®
- DMX Dynamic Color Changing

\*In-Wall Mounting Kits available for select power supplies

System	Wattage Per Foot	Canopy	Nominal Size	Color Temperature	Finish
<b>CCDS</b>	<b>2W</b>	<b>1R</b>	<b>480</b>	<b>22K</b>	<b>SN</b>
<b>CCDS</b> Cirrus Ceiling Diffused lens, Standard Efficiency <b>CCDH</b> Cirrus Ceiling Diffused lens, High Efficiency <b>CCCS</b> Cirrus Ceiling Clear Frosted lens, Standard Efficiency <b>CCCH</b> Cirrus Ceiling Clear Frosted lens, High Efficiency <b>CCDW</b> Cirrus Ceiling Diffused lens with White Louver <b>CCDB</b> Cirrus Ceiling Diffused lens with Black Louver <b>CCCW</b> Cirrus Ceiling Clear Frosted lens with White Louver <b>CCCB</b> Cirrus Ceiling Clear Frosted lens with Black Louver	<b>2W</b> 2.5 Watts (480" max, 40') <b>5W</b> 4.4 Watts (240" max, 20') <b>7W</b> 7.3 Watts (156" max, 13') <b>10W</b> 9.6 Watts (120" max, 10')	<b>1R</b> 1" Rectangle Canopy <b>4S</b> 4.6" Square Split Canopy** <b>TBA</b> Clips with 2ft Teflon plenum power feed, use for 15/16" or 9/16" wide T-Bar Flush mounted ceiling panels, pg 7 <b>TBB</b> Clips with 2ft Teflon plenum power feed, use for 9/16" wide Slotted T-Bar, pg 7 <b>TBE</b> Clips with 2ft Teflon plenum power feed, use for 9/16" wide Slotted T-Bar, pg 7 **Black Canopy for BB and White Canopy for BW	<b>12-480</b> Order in various increments from 12" - 480" Maximum shipping length for Chrome is 84". *See length chart for on pgs 3 & 4 for exact dimensions	<b>22K</b> 2200K Amber White <b>24K</b> 2400K Very Warm White <b>27K</b> 2700K Incandescent White <b>27D</b> 2700K Warm Dim (5W only) <b>30K</b> 3000K Warm White <b>30D</b> 3000K Warm Dim (5W only) <b>35K</b> 3500K Neutral White <b>40K</b> 4000K Cool White <b>57K</b> 5700K Daylight White <b>2K4K</b> 2000K-4000K Tunable White (5W only, 20' max) <b>RGB</b> Red, Green, Blue (5W only, 20' max) <b>RGB+W</b> Red, Green, Blue and White	<b>BK</b> Satin Black <b>BZ</b> Antique Bronze <b>CH</b> Chrome <b>SA</b> Satin Aluminum <b>SN</b> Satin Nickel <b>WH</b> White <b>BB</b> Satin Brass with Black End Caps and Canopy <b>BW</b> Satin Brass with White End Caps and Canopy

PROJECT		FIXTURE TYPE		DATE	
---------	--	--------------	--	------	--





**CIRRUS CEILING D1**  
DOWNLIGHT WITH REMOTE POWER



REV 10.27.20

**LENGTH CHART** Actual lengths for Cirrus Ceiling D1


22K, 27K, 30K, 35K, 40K, 57K, 2K4K & RGB					
Ordering Code (Nominal Size)	Actual Length (Inches)	Ordering Code (Nominal Size)	Actual Length (Inches)	Ordering Code (Nominal Size)	Actual Length (Inches)
12	13.0	168	169.4	324	325.8
15	15.4	171	171.8	327	328.2
17	17.8	173	174.2	329	330.6
20	20.2	176	176.6	332	333.0
22	22.6	178	179.0	334	335.4
24	25.0	180	181.4	336	337.8
27	27.4	183	183.8	339	340.2
29	29.8	185	186.2	341	342.6
32	32.2	188	188.6	344	345.0
34	34.6	190	191.0	346	347.4
36	37.0	192	193.4	348	349.8
39	39.4	195	195.8	351	352.2
41	41.8	197	198.2	353	354.6
44	44.2	200	200.6	356	357.0
46	46.6	202	203.0	358	359.4
48	49.0	204	205.4	360	361.8
51	51.4	207	207.8	363	364.2
53	53.8	209	210.2	365	366.6
56	56.2	212	212.6	368	369.0
58	58.6	214	215.0	370	371.4
60	61.0	216	217.4	372	373.8
63	63.4	219	219.8	375	376.2
65	65.8	221	222.2	377	378.6
68	68.2	224	224.6	380	381.0
70	70.6	226	227.0	382	383.4
72	73.0	228	229.4	384	385.8
75	75.4	231	231.8	387	388.2
77	77.8	233	234.2	389	390.6
80	80.2	236	236.6	392	393.0
82	82.6	238	239.0	394	395.4
84	85.0	240	241.4	396	397.8
(Max Chrome Length)		(2K4K, RGB, Warm Dim, 5 Watt Max)			
87	87.4	243	244.2	399	400.6
89	89.8	245	246.6	401	403.0
92	92.2	248	249.0	404	405.4
94	94.6	250	251.4	406	407.8
96	97.0	252	253.8	408	410.2
99	99.4	255	256.2	411	412.6
101	101.8	257	258.6	413	415.0
104	104.2	260	261.0	416	417.4
106	106.6	262	263.4	418	419.8
108	109.0	264	265.8	420	422.2
111	111.4	267	268.2	423	424.6
113	113.8	269	270.6	425	427.0
116	116.2	272	273.0	428	429.4
118	118.6	274	275.4	430	431.8
120 (10 Watt Max)	121.0	276	277.8	432	434.2
123	123.8	279	280.2	435	436.6
125	126.2	281	282.6	437	439.0
128	128.6	284	285.0	440	441.4
130	131.0	286	287.4	442	443.8
132	133.4	288	289.8	444	446.2
135	135.8	291	292.2	447	448.6
137	138.2	293	294.6	449	451.0
140	140.6	296	297.0	452	453.4
142	143.0	298	299.4	454	455.8
144	145.4	300	301.8	456	458.2
147	147.8	303	304.2	459	460.6
149	150.2	305	306.6	461	463.0
152	152.6	308	309.0	464	465.4
154	155.0	310	311.4	466	467.8
156 (7 Watt Max)	157.4	312	313.8	468	470.2
159	159.8	315	316.2	471	472.6
161	162.2	317	318.6	473	475.0
164	164.6	320	321.0	476	477.4
166	167.0	322	323.4	478	479.8
				480	482.2
				(Max Length, 2.5 Watts)	

PROJECT	FIXTURE TYPE	DATE
---------	--------------	------

# CIRRUS CEILING D1

## DOWNLIGHT WITH REMOTE POWER

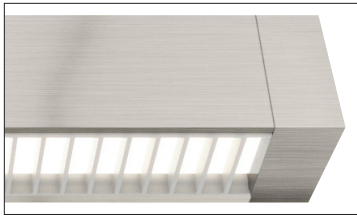
### LENGTH CHART Actual lengths for Cirrus Ceiling D1

27D, 30D WARM DIM LENGTH CHART 	
Ordering Code (Nominal Size)	Actual Length (Inches)
13.0	13.0
16.0	16.0
19.0	19.0
22.0	22.0
25.0	25.0
28.0	28.0
31.0	31.0
34.0	34.0
37.0	37.0
40.0	40.0
43.0	43.0
46.0	46.0
49.0	49.0
52.0	52.0
55.0	55.0
58.0	58.0
61.0	61.0
64.0	64.0
67.0	67.0
70.0	70.0
73.0	73.0
76.0	76.0
79.0	79.0
82.0	82.0
85.0	85.0
88.0	88.4
91.0	91.4
94.0	94.4
97.0	97.4
100.0	100.4
103.0	103.4
106.0	106.4
109.0	109.4
112.0	112.4
115.0	115.4
118.0	118.4
121.0	121.4
124.4	124.4
127.4	127.4
130.4	130.4
133.4	133.4
136.4	136.4
139.4	139.4
142.4	142.4
145.4	145.4
148.4	148.4

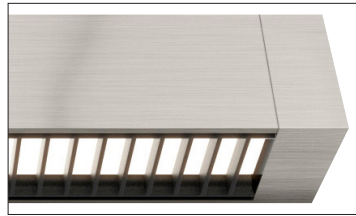
PROJECT	FIXTURE TYPE	DATE
---------	--------------	------

# CIRRUS CEILING D1

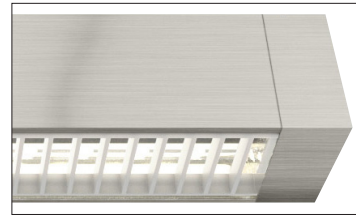
## DOWNLIGHT WITH REMOTE POWER



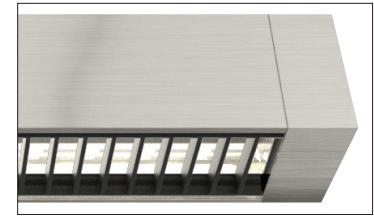
DIFFUSED WHITE LENS WITH WHITE LOUVER



DIFFUSED WHITE LENS WITH BLACK LOUVER



CLEAR FROSTED LENS WITH WHITE LOUVER



CLEAR FROSTED LENS WITH BLACK LOUVER

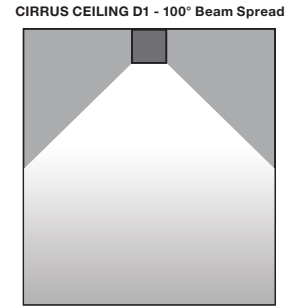
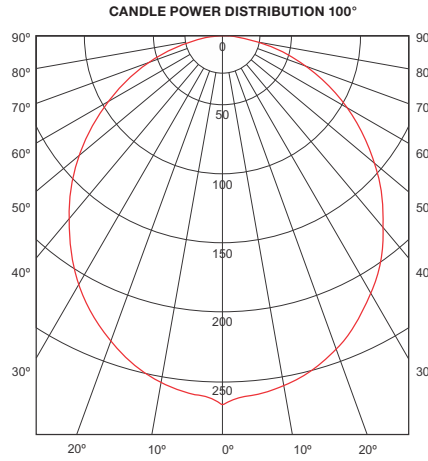
**8" CCDH, 3000K**

2.5 Watt 100°	
Distance	Foot Candles
2'	43
3'	28
4'	19
6'	11
8'	6

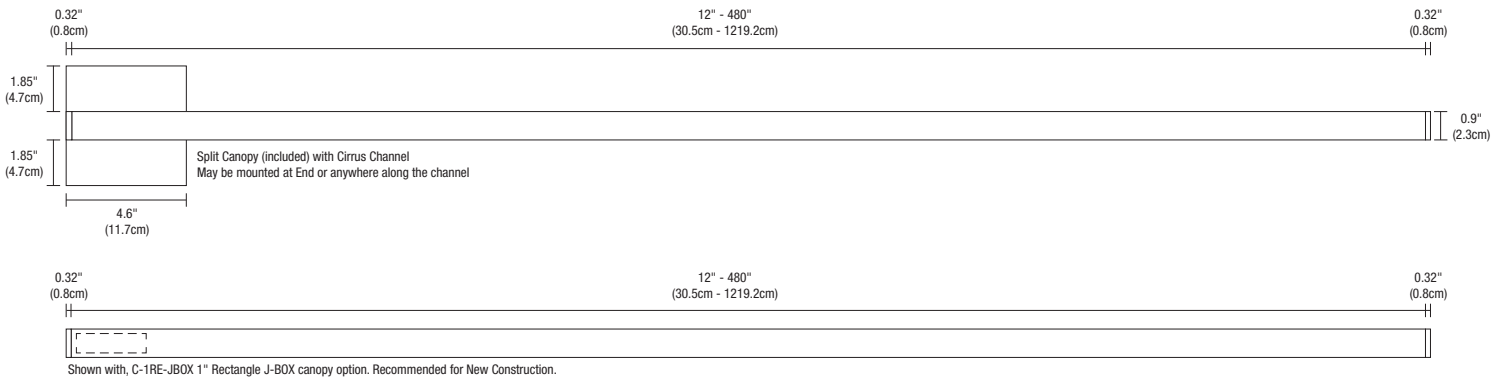
5 Watt 100°	
Distance	Foot Candles
2'	71
3'	46
4'	32
6'	18
8'	12

7 Watt 100°	
Distance	Foot Candles
2'	115
3'	74
4'	61
6'	36
8'	22

10 Watt 100°	
Distance	Foot Candles
2'	132
3'	85
4'	61
6'	36
8'	22



**DRAWINGS** Canopy & Channel drawings for the Cirrus Ceiling D1

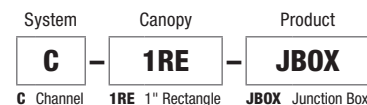
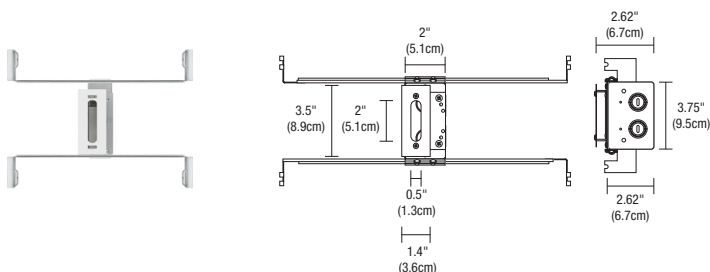


PROJECT	FIXTURE TYPE	DATE
---------	--------------	------

**COMPONENTS** J-box, Split Canopies, & Mounting Clips are included and sold separately for replacement

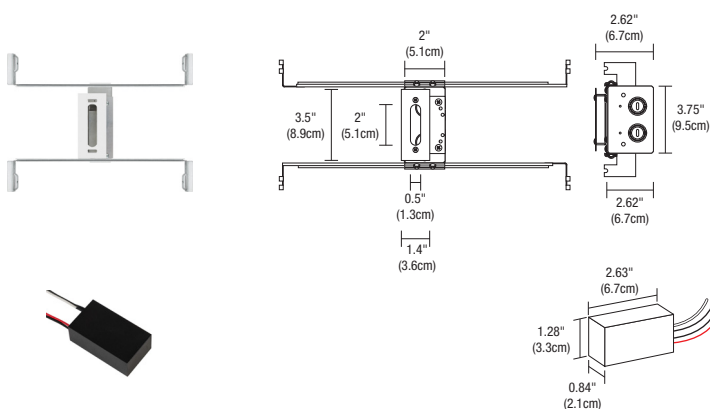
**1" RECTANGLE CANOPY & J-BOX**  
**(INCLUDED WITH 1R SELECTED IN FIXTURE ORDERING CODE)**

The Slim-Profile Junction Box with Hanger Bars mounts to studs spaced between 14.5" and 25" apart behind drywall. Allows low voltage DC wires from Remote Power Supply to connect to channel wires. The Junction Box opening is covered by the fixture for a clean, safe connection. Includes a Goof Plate, for poor plastering around J-box.



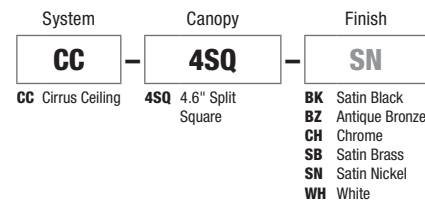
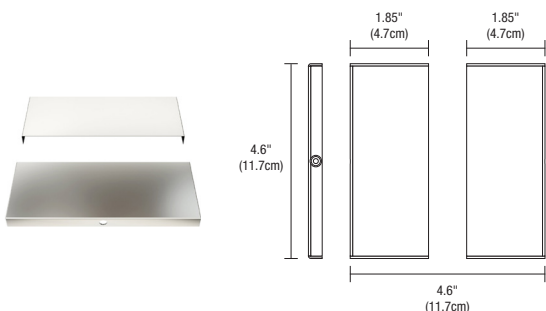
**1" RECTANGLE CANOPY & J-BOX WITH 50W POWER SUPPLY**  
**(ORDER SEPARATELY)**

The Slim-Profile Junction Box with Hanger Bars mounts to studs spaced between 14.5" and 25" apart behind drywall. Allows low voltage DC wires from included power supply to connect to channel wires. The Junction Box opening is covered by the fixture for a clean, safe connection. Rated 60 watts for Non-Insulated Ceiling or Wall Power Supply. Rated 50 watts for Insulated Ceiling. Includes a Goof Plate, for poor plastering around J-box.



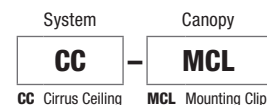
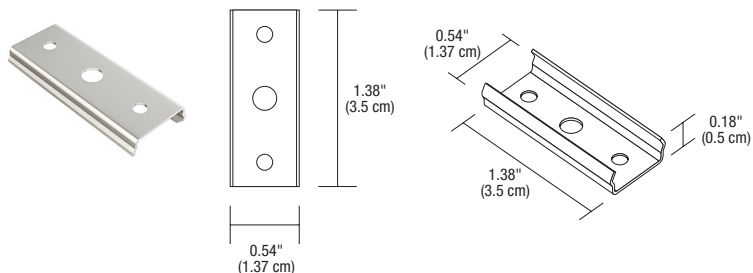
**4" SQUARE SPLIT CANOPY**  
**(INCLUDED WITH 4S SELECTED IN FIXTURE ORDERING CODE)**

The 4" Square Canopy fits on a standard 4" electrical box with round plaster ring. It fits flush along channel while covering Junction Box. The Canopy fits flush, may float anywhere along the channel and comes in six finishes.



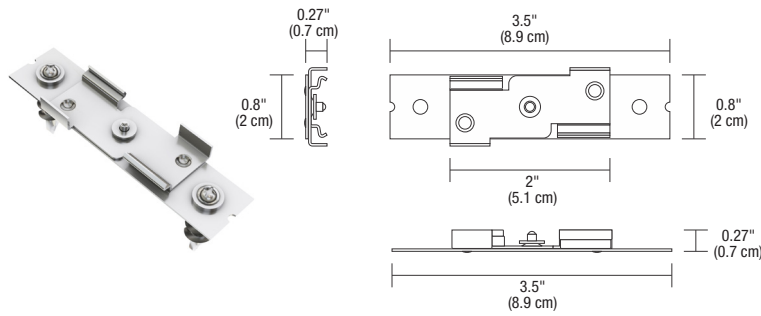
**CEILING MOUNTING LOCKING CLIP**  
**(INCLUDED WITH ORDERING CODE CANOPY 1R OR 4S)**

Ceiling Mounting spring clips are provided with every 2ft of Cirrus Ceiling Channel. The Clip snaps into the channel, staying securely fastened to the ceiling or wall.



PROJECT	FIXTURE TYPE	DATE
---------	--------------	------

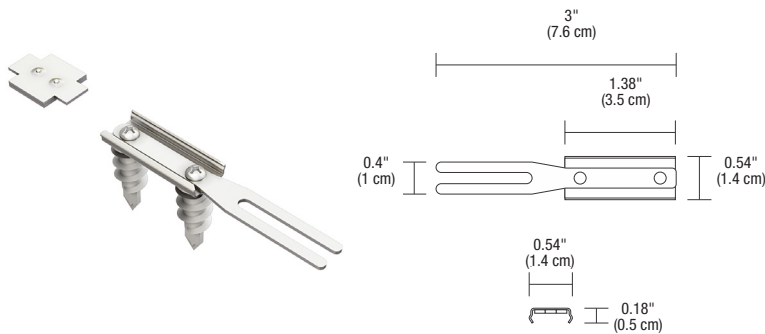
**COMPONENTS** J-box, Split Canopies, & Mounting Clips are included and sold separately for replacement



**CEILING MOUNTING LOCKING CLIP (ORDER SEPARATELY)**

Ceiling Mounting Locking Clips may be ordered separately for extra support. The channel slides into the clip and locks in place staying securely fastened to the ceiling or to the wall.

System	Canopy	Type
<b>CC</b>	<b>MCL</b>	<b>L</b>
CC Cirrus Ceiling	MCL Mounting Clip	L Locking



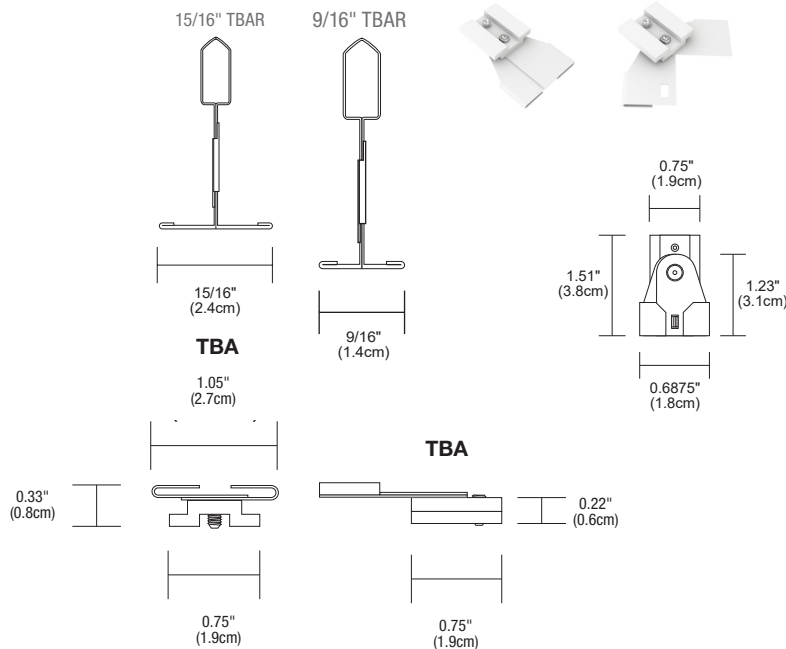
**FORK LOCKING CLIP (ORDER SEPARATELY)**

Fork locking clip for ceiling or wall Mounting. One locking Spring clip is provided with every Cirrus Channel. The channel slides into the Fork locking Clip keeping the fixture secure.

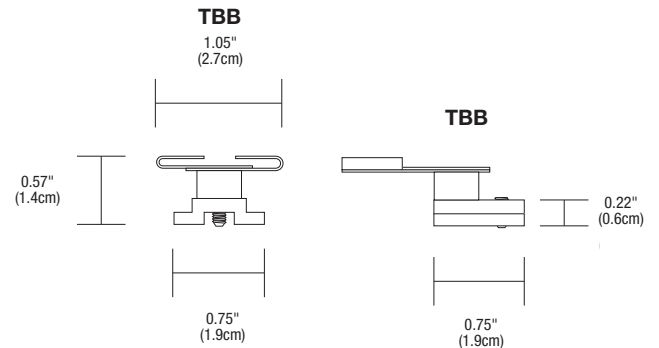
System	Canopy	Type
<b>CC</b>	<b>MCL</b>	<b>FL</b>
CC Cirrus Ceiling	MCL Mounting Clip	FL Fork Locking

**CEILING MOUNTING T-BAR CLIPS FOR 15/16" (ORDER SEPARATELY)**

Mounts flush anywhere along the 15/16" or 9/16" T-Bar grid. Use one every two feet.



System	Canopy	Type	Finish
<b>CCD1M</b>	<b>MCL</b>	<b>TBA</b>	<b>WH</b>
CCD1M Cirrus Ceiling	MCL Mounting Clip	TBA 15/16" or 9/16" Wide T-Bar Flush mounted ceiling panels	WH White
		TBB 15/16" or 9/16" wide T-Bar with ceiling panel 3/8" below grid	BK Black



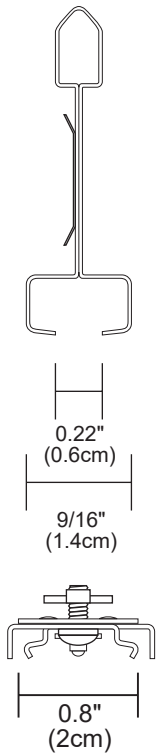
PROJECT		FIXTURE TYPE		DATE	
---------	--	--------------	--	------	--

# CIRRUS CEILING D1

## DOWNLIGHT WITH REMOTE POWER

### COMPONENTS JConnectors, End Cap, & Mounting Clips

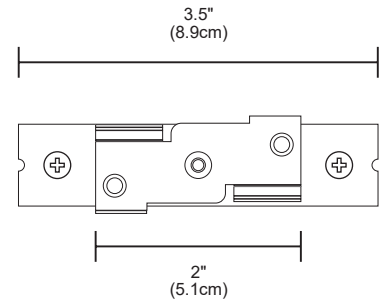
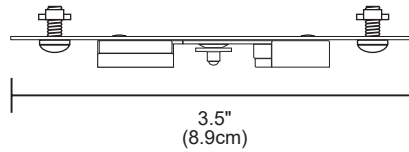
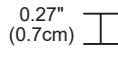
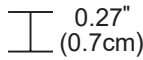
TBAR END



### T-BAR END MOUNTING CLIP (ORDER SEPARATELY)

Mounts flush anywhere along the 9/16" T-Bar grid. Use one every two feet.

System	Canopy	Type
<b>CCD1M</b>	<b>MCL</b>	<b>TBE</b>
CCD1M Cirrus Ceiling	MCL Mounting Clip	TBE T-Bar End



PROJECT		FIXTURE TYPE		DATE	
---------	--	--------------	--	------	--



**CIRRUS CEILING D1**  
DOWNLIGHT WITH REMOTE POWER

REV 10.27.20

**WIRING DIAGRAM** Wiring Diagram for Static White with Dimmer

**APPLICATION**

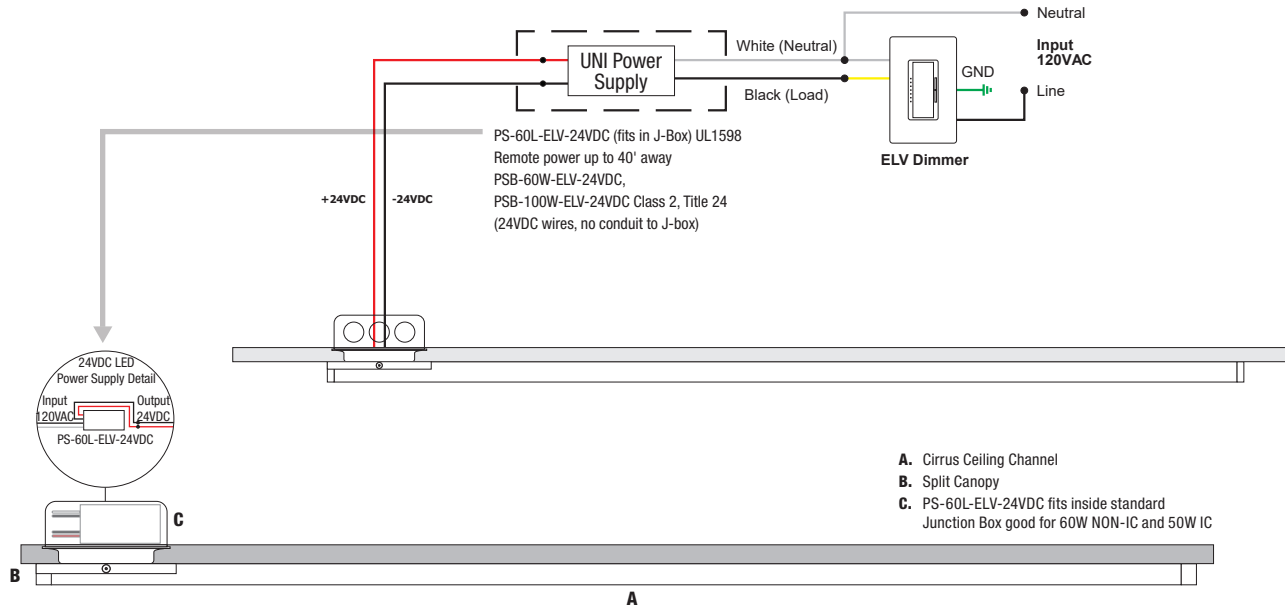
ELV dimming for Cirrus Ceiling D1, End Feed Canopy, Static White

**REMOTE POWER SUPPLY**

Class 2: 24VDC output; 120VAC input | PS-60L-ELV-24VDC (fits in J-box) | PSB-60W-ELV-24VDC  
PSB-100W-ELV-24VDC

**DIMMING**

Dimmable with ELV dimmer: Legrand, Adorne ADTP703TU  
Lutron: Diva DVELV-300P, Skylark SELVz-300P, Maestro MAELV-600 and Radio Ra 2



**WIRING DIAGRAM** Wiring Diagram for Static White with 0-10V Dimmer

**APPLICATION**

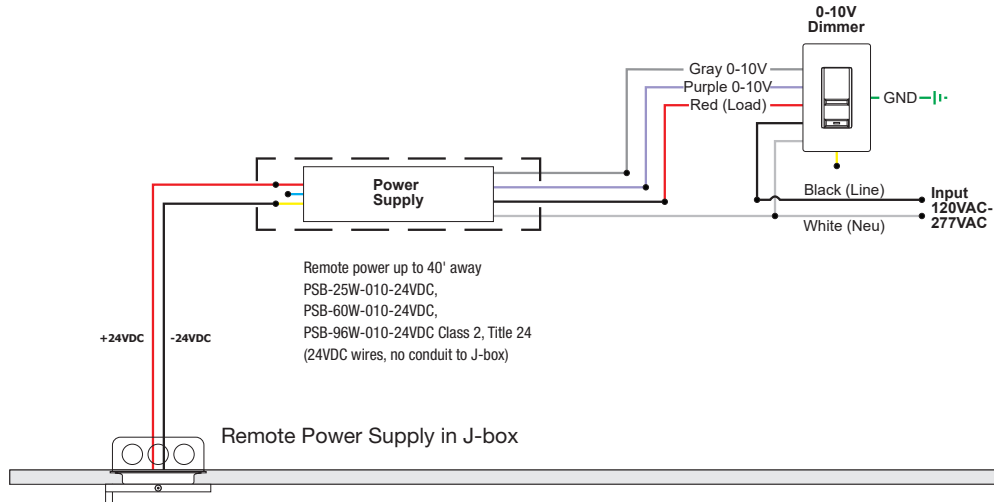
0-10V dimming for Cirrus Ceiling D1, End Feed Canopy, Static White

**REMOTE POWER SUPPLY**

Class 2: 24VDC output; 120/277VAC input | PSB-60W-010-24VDC | PSB-100W-010-24VDC

**DIMMING**

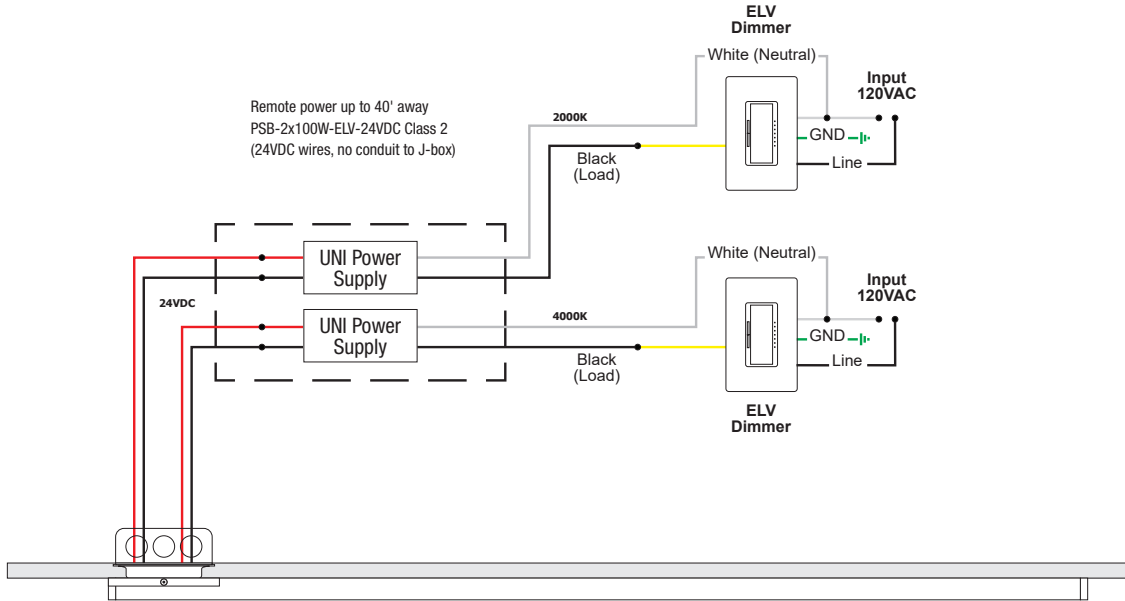
Dimmable with 0-10V dimmer: Philips: Sunrise SR1200ZTUNV; Lutron: Diva DVTW-WH, DVSTV-XX, Nova-T NTSTV-DV-XX, Grafix Eye QS QSGRJ-XP, Radio RA2 RRD-1-ND; Leviton: LEV40050, IP710-LFZ; Legrand ADPD4FBL3P2W4



PROJECT	FIXTURE TYPE	DATE
---------	--------------	------

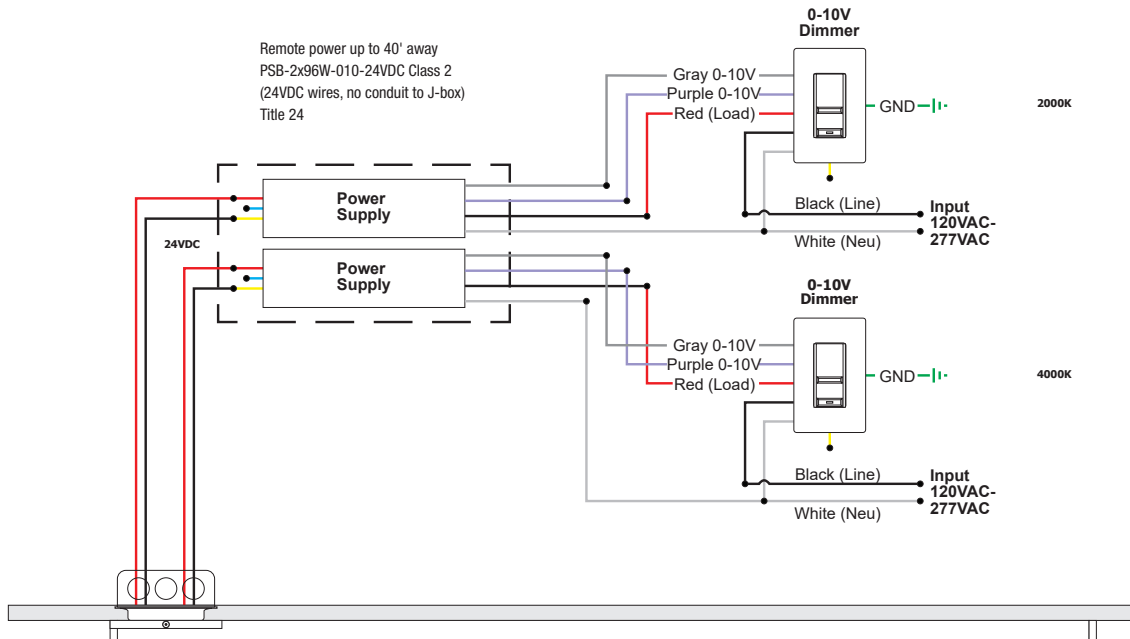
**WIRING DIAGRAM** Wiring Diagram for ELV Dimmer

**APPLICATION** ELV dimming for Cirrus Ceiling D1, End Feed Canopy, Tunable White 2000K-4000K  
**REMOTE POWER SUPPLY** Class 2: 24VDC output; 120VAC input | Class 2: PSB-2X100W-ELV-24VDC (24VDC wires, no conduit to J-box)  
**DIMMING** Dimmable with ELV dimmer: Legrand, Adorne ADTP703TU  
 Lutron: Diva DVELV-300P, Skylark SELV-300P, Maestro MAELV-600 and Radio Ra 2



**WIRING DIAGRAM** Wiring Diagram for Tunable White with 0-10 Volt Dimmer

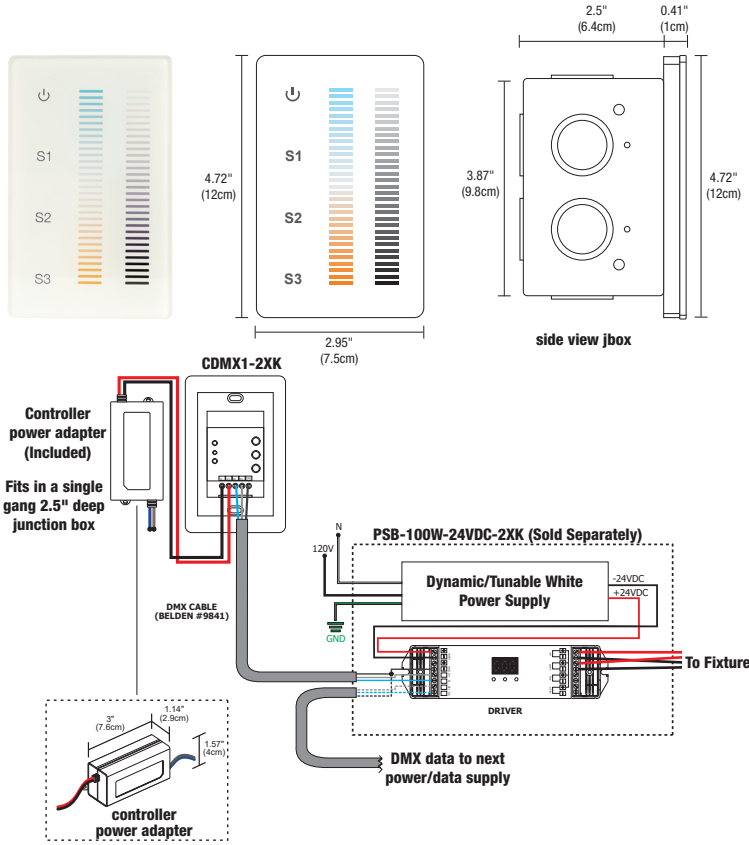
**APPLICATION** 0-10V dimming for Cirrus Ceiling D1, End Feed Canopy, Tunable White 2000K-4000K  
**REMOTE POWER SUPPLY** Class 2: 24VDC output; 120/277VAC input | Class 2: PSB-2x96W-010-24VDC (24VDC wires, no conduit to J-box)  
**DIMMING** Dimmable with 0-10 dimmer: Philips: Sunrise SR1200ZTUNV; Lutron: Diva DVTW-WH, Nova-T NTSTV-DV-XX, Grafix Eye QS QSGRJ-XP, Radio RA2 RRD-1-ND; Leviton: LEV40050, IP710-LFZ; Legrand ADPD4FBL3P2W4



PROJECT	FIXTURE TYPE	DATE
---------	--------------	------

# DYNAMIC/TUNABLE WHITE CONTROLLER AND POWER SUPPLIES

24VDC INDOOR CONSTANT VOLTAGE POWER SUPPLIES WITH DMX DRIVERS



### DESCRIPTION:

The Dynamic/Tunable White (**2K4K or 27K6**) Touch Controller offers fast and accurate Color Temperature adjustment and the ability to regulate the Brightness Independently. The modern Glass faceplate features illuminated indicators, and a back-lit night light that softly illuminates the controller when powered off. Designed for Dynamic/Tunable White, and dual-color LED installations within a single zone. The two Vertical Touch sliders are precise and sensitive, allowing you to fine-tune your perfect Color Temperature at any point between **2000K** (Sunset) to **4000K** (Cool White) or from **2700K** (Incandescent White) to **6500K** (Daylight White) while selecting over 250 levels of Brightness in a smooth, uninterrupted transition. Create Thousands of Dynamic White Color Combinations while maintaining even Brightness and overall saturation. Easily save three pre-set scenes for different times of the day. Support health, performance, and general well-being using Human-Centric lighting by fine-tuning the biological effects that light has on the circadian cycle using the latest in LED technology. Includes a power adapter that fits behind the controller within a standard junction box and fits inside a standard single-gang receptacle (not for use in a multi-gang box). Use with an insulated, 24 AWG stranded, tinned copper wire (Belden #9841). Power Supplies are Sold Separately. Includes a 5 year pro-rated warranty.

### APPLICATIONS:

Indoor

### OUTPUT SIGNAL:

USITT DMX 512 (1990)

### INSTALLATION:

Fits in a single gang 2.5 inch deep junction box. Not compatible with multi-gang boxes.

### LABELS:

ROHS, FCC, Damp Location, ETL/UL

### POWER INPUT:

120-240VAC

Product	Type	Finish
<b>CDMX1</b>	<b>2XK</b>	<b>WH</b>
CDMX1 DMX Single Zone Touch Controller	2XK Tunable White	WH White

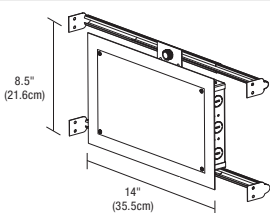
## DYNAMIC COLOR CHANGING (DMX) POWER SUPPLIES & RECOMMENDED CONTROLLERS\*

ORDERING CODE	PSB-100W-24VDC-2XK	PSB-2X100W-24VDC-2XK	PSB-3X100W-24VDC-2XK	PSB-4X100W-24VDC-2XK
<b>MAXIMUM LOAD OF LED STRIP LENGTH</b>	100W 5 WATTS - 20FT MAX. 10 WATTS - 10FT MAX.	2X100W 5 WATTS 2 X 20FT MAX. 10 WATTS - 2 X 10FT MAX.	3X100W 5 WATTS 3 X 20FT MAX. 10 WATTS - 3 X 10FT MAX.	4X100W 5 WATTS 4 X 20FT MAX. 10 WATTS - 4 X 10FT MAX.
<b>INPUT VOLTAGE</b>	120-277VAC	120-277VAC	120-277VAC	120-277VAC
<b>OUTPUT VOLTAGE</b>	24VDC	24VDC	24VDC	24VDC
<b>DIMENSIONS</b>	12.4" X 6.48" X 2.18"	14" X 10" X 3"	17" X 10" X 3"	17" X 10" X 3"
<b>CLASSIFICATION</b>	CLASS 2	CLASS 2	CLASS 2	CLASS 2
<b>IN-WALL MOUNTING</b>	PSB-100W-24VDC-2XK-IW	NA	NA	NA
<b>DMX DYNAMIC/TUNABLE WHITE DIMMING &amp; CONTROLS</b>				
<b>TUNABLE WHITE TOUCH CONTROLLER (CDMX1-2XK)</b>	•	•	•	•

- Flicker free dimming
- Aluminum casing for optimal heat dissipation
- Isolated output power per NEC and UL safety requirements
- UL & ETL recognized/ listed, meets UL 8750, 1310 requirements

- Auto-reset; short circuit, overload and thermal protection
- Class 2 power supply
- Efficient, High power factor > 0.90

### IN WALL MOUNTING OPTIONS



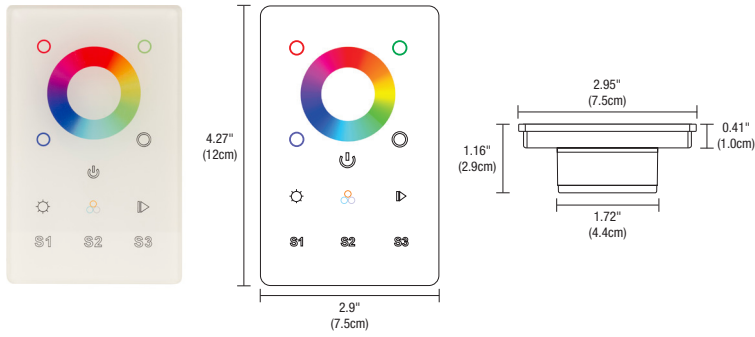
**8.5 x 14 inch In-Wall Mounting Kit:** Includes power supply, box cover and stud hangers for installing Junction Box in wall. Select "IW" in the options section of compatible power supply ordering codes if an In-Wall Mounting Kit is needed.

**Ordering Codes:** PSB-100W-24VDC-2XK-IW

PROJECT	FIXTURE TYPE	DATE
---------	--------------	------

# DMX SINGLE ZONE RGB & RGB+W

## TOUCH CONTROLLER



**Description:**

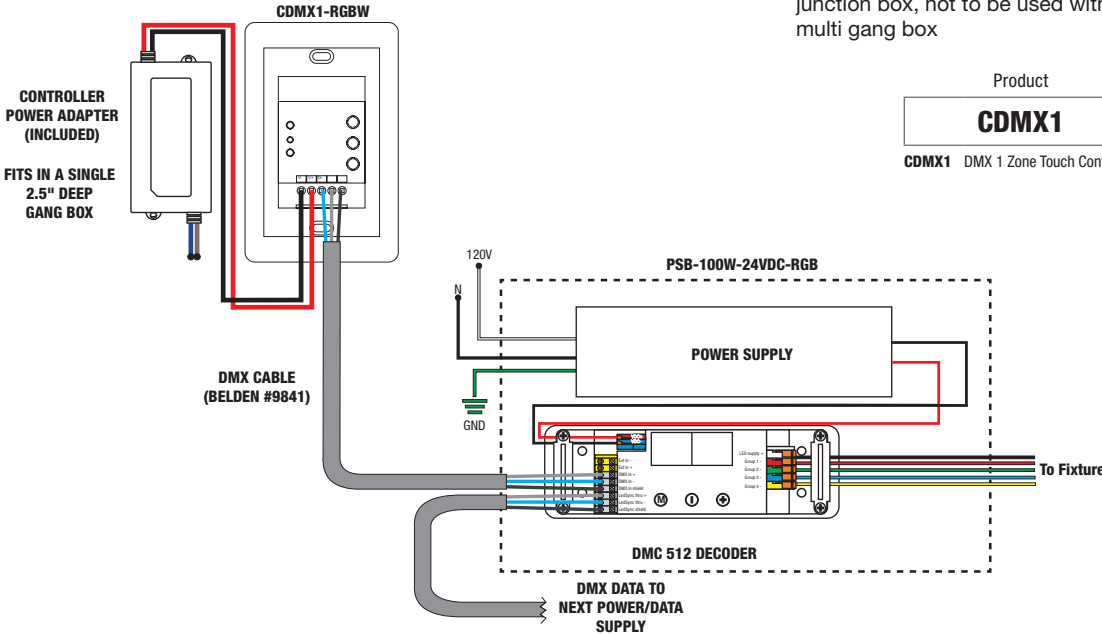
Full touch controller offers fast and accurate color tone adjustment and independent brightness control. The 1 zone controller can adjust RGB and RGBW LEDs smoothly and accurately. Independent smooth dimming of each channel enables the controller to achieve millions of colors. For indoor applications only, and includes a Power Adapter to operate the controller.

**Applications:**  
Indoor

**Power Input:**  
120-277VAC

**Installation:**  
Fits in a single gang 2.5 inch deep junction box, not to be used with a multi gang box

**Output Signal:**  
USITT DMX 512 (1990)

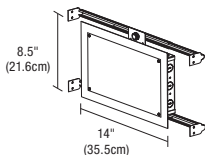


Product	Type	Finish
<b>CDMX1</b>	<b>RGBW</b>	<b>WH</b>
CDMX1 DMX 1 Zone Touch Controller	RGBW RGB & RGBW	WH White

**DYNAMIC COLOR CHANGING (DMX) POWER SUPPLIES & RECOMMENDED CONTROLLERS**

ORDERING CODE	PSB-100W-24VDC-RGB	PSB-2X100W-24VDC-RGB	PSB-3X100W-24VDC-RGB	PSB-4X100W-24VDC-RGB
<b>SPECIFICATIONS</b>				
<b>MAXIMUM LOAD</b>	100W	2X100W	3X100W	4X100W
<b>INPUT VOLTAGE</b>	120-277VAC	120-277VAC	120-277VAC	120-277VAC
<b>OUTPUT VOLTAGE</b>	24VDC	24VDC	24VDC	24VDC
<b>DIMENSIONS</b>	12.14" X 6.48" X 2.18"	14" X 10" X 3"	17" X 13" X 3"	17" X 13" X 3"
<b>CLASSIFICATION</b>	CLASS 2	CLASS 2	CLASS 2	CLASS 2
<b>IN-WALL MOUNTING</b>	PSB-100W-24VDC-RGB-IW	N/A	N/A	N/A
<b>DIMMING &amp; CONTROLS</b>				
<b>TOUCH SCREEN CONTROLLER (CTP)</b>	•	•	•	•
<b>COLOR DIAL CONTROLLER (CDP)</b>	•	•	•	•
<b>DMX 1 ZONE RGBW TOUCH CONTROLLER (CDMX1-RGBW)</b>	•	•	•	•

Classification: UL2108 - \* 24VDC over 100 Watts, wires must be in conduit from Remote Power Supply to J-box.



**8.5" X 14" IN-WALL MOUNTING KIT**

Includes Power Supply, Box Cover, and Stud Hangers for installing Junction Box in wall. Select "IW" in the options section of compatible Power Supply ordering codes if an In-Wall Mounting Kit is needed.

**ORDERING CODES:** PSB-100W-24VDC-RGB-IW

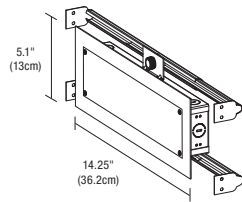
PROJECT	FIXTURE TYPE	DATE
---------	--------------	------

ELECTRONIC LOW-VOLTAGE (ELV) POWER SUPPLIES & RECOMMENDED DIMMERS <sup>†‡</sup>				
ORDERING CODES	<b>PS-60L-ELV-24VDC</b> 	<b>PSB-60W-ELV-24VDC</b> 	<b>PSB-2X60W-ELV-24VDC</b> 	<b>PSB-100W-ELV-24VDC</b> 
SPECIFICATIONS				
MAXIMUM LOAD	60W NON-IC, 50W-IC (FITS IN JBOX)	60W	2X60W	96W
INPUT VOLTAGE	120VAC	120VAC	120VAC	120VAC
OUTPUT VOLTAGE	24VDC	24VDC	24VDC	24VDC
DIMENSIONS	2.25" X 1.25" X 0.83"	8.125" X 2" X 1.75"	12.15" X 6.48" X 2.18"	9.25" X 3.5" X 2"
CLASSIFICATION	CLASS 2	CLASS 2	CLASS 2	CLASS 2
IN WALL MOUNTING	N/A	PSB-60W-ELV-24VDC-IW	PSB-2X60W-ELV-24VDC-IW	PSB-100W-ELV-24VDC-IW
ELECTRONIC LOW-VOLTAGE (ELV) POWER SUPPLIES & RECOMMENDED DIMMERS <sup>†‡</sup>				
ORDERING CODES	<b>PSB-2X100W-ELV-24VDC</b> 	<b>PSB-3X100W-ELV-24VDC</b> 	<b>PSB-4X100W-ELV-24VDC</b> 	
SPECIFICATIONS				
MAXIMUM LOAD	2X96W	3X96W	4X96W	
INPUT VOLTAGE	120VAC	120VAC	120VAC	
OUTPUT VOLTAGE	24VDC	24VDC	24VDC	
DIMENSIONS	12.15" X 6.48" X 2.18"	14" X 10" X 3"	17" X 13" X 3"	
CLASSIFICATION	CLASS 2	CLASS 2	CLASS 2	
IN WALL MOUNTING	PSB-2X100W-ELV-24VDC-IW	N/A	N/A	
DIMMING AND CONTROLS				
LUTRON DIVA: DVELV-300P	•	•	•	
LUTRON SKYLARK: SELV-300P	•	•	•	
LUTRON RADIO RA2: RRD-6NA	•	•	•	
LUTRON MAESTRO: MAELV-600	•	•	•	
LEGRAND ADORNE: ADTP-703TUM4	•	•	•	

<sup>†</sup>22K - 57K color temperatures are compatible with 0-10V, ELV, and Lutron Hi-lume® Power Supplies. Warm Dim (27D, 30D) color temperatures are only compatible with ELV power supplies. Tunable White (2K4K) color temperature is compatible with 0-10V, ELV, DMX, and Lutron Hi-lume® Power Supplies. Dynamic Color (RGB, RGB+W) and Static Color (Amber, Blue, Green, or Red) are compatible with DMX Power Supplies.

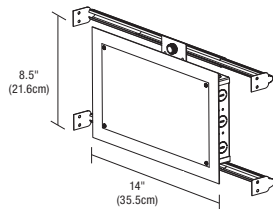
<sup>‡</sup>Electrical Panels using Seimens/Murray AFCI breakers are not compatible with this ELV transformer. Use 0-10 Volt power supplies with this breaker

With N-Lite Dimming Do not use ELV power supplies, use only 0-10 volt or Uni drivers power supplies



**5.1 x 14.25 inch In-Wall Mounting Kit:** Includes power supply, box cover and stud hangers for installing Junction Box in wall. Select "IW" in the options section of compatible power supply ordering codes if an In-Wall Mounting Kit is needed.

**Ordering Codes:** PSB-60W-ELV-24VDC-IW  
PSB-100W-ELV-24VDC-IW



**8.5 x 14 inch In-Wall Mounting Kit:** Includes power supply, box cover and stud hangers for installing Junction Box in wall. Select "IW" in the options section of compatible power supply ordering codes if an In-Wall Mounting Kit is needed.

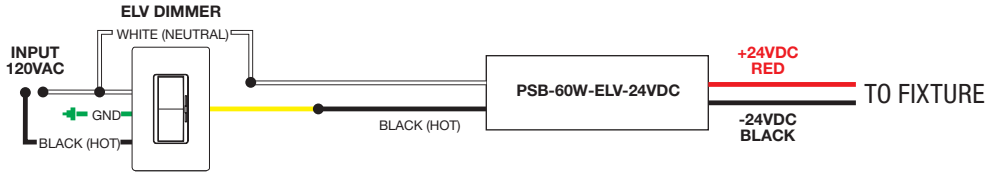
**Ordering Codes:** PSB-2X60W-ELV-24VDC-IW  
PSB-2X100W-ELV-24VDC-IW

PROJECT		FIXTURE TYPE		DATE	
---------	--	--------------	--	------	--

**SAMPLE WIRING DIAGRAMS 24VDC ELV**

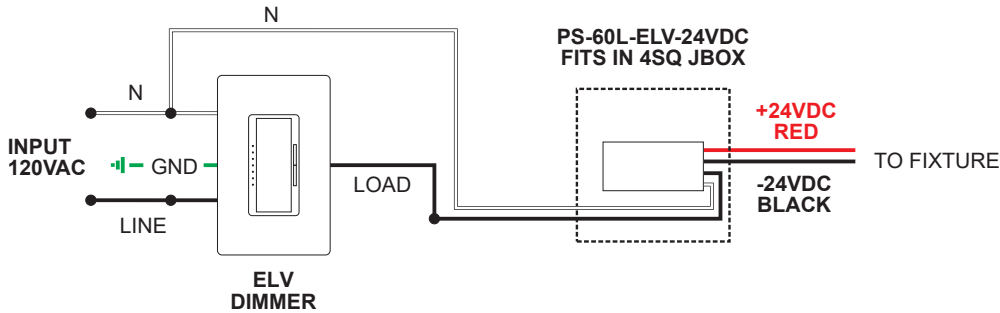
**Application:** ELV dimming for Static White

**Dimming:** Dimmable with ELV dimmer: Legrand, Adorne ADTP703TU; Lutron: Diva DVELV-300P, Skylark SELV-300P, Maestro MAELV-600 and Radio Ra 2



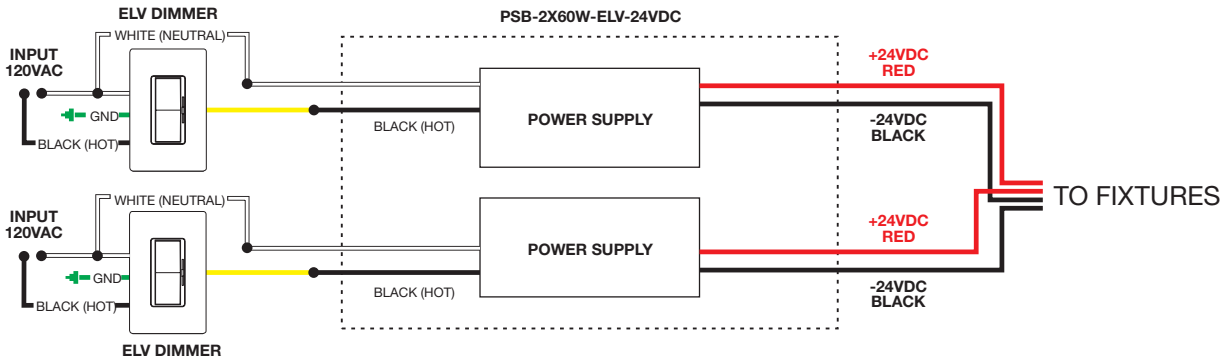
**Application:** ELV dimming for Static White

**Dimming:** Dimmable with ELV dimmer: Legrand, Adorne ADTP703TU; Lutron: Diva DVELV-300P, Skylark SELV-300P, Maestro MAELV-600 and Radio Ra 2









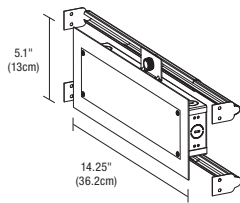
**Application:** Dual ELV dimming for Dynamic/Tunable White 2000K-4000K

**Dimming:** Dimmable with ELV dimmer: Legrand, Adorne ADTP703TU; Lutron: Diva DVELV-300P, Skylark SELV-300P, Maestro MAELV-600 and Radio Ra 2



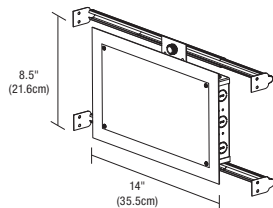
PROJECT		FIXTURE TYPE		DATE	
---------	--	--------------	--	------	--

0-10 VOLT (010) POWER SUPPLIES & RECOMMENDED DIMMERS†				
ORDERING CODE	PSB-25W-010-24VDC 	PSB-60W-010-24VDC 	PSB-96W-010-24VDC 	PSB-2X96W-010-24VDC 
SPECIFICATIONS				
MAXIMUM LOAD	25W	60W	96W	2X96W
INPUT VOLTAGE	120VAC	120-277VAC	120-277VAC	120-277VAC
OUTPUT VOLTAGE	24VDC	24VDC	24VDC	24VDC
DIMENSIONS	12.4" X 3.12" X 2.18"	12.4" X 3.12" X 2.18"	12.4" X 3.12" X 2.18"	12.15" X 6.48" X 2.18"
CLASSIFICATION	CLASS 2	CLASS 2	CLASS 2	CLASS 2
IN-WALL MOUNTING	PSB-25W-010-24VDC-IW	PSB-60W-010-24VDC-IW	PSB-96W-010-24VDC-IW	PSB-2X96W-010-24VDC-IW
0-10 VOLT (010) POWER SUPPLIES & RECOMMENDED DIMMERS†				
ORDERING CODE	PSB-3X96W-010-24VDC 		PSB-4X96W-010-24VDC 	
SPECIFICATIONS				
MAXIMUM LOAD	3X96W		4X96W	
INPUT VOLTAGE	120-277VAC		120-277VAC	
OUTPUT VOLTAGE	24VDC		24VDC	
DIMENSIONS	14" X 10" X 3"		17" X 13" X 3"	
CLASSIFICATION	CLASS 2		CLASS 2	
IN-WALL MOUNTING	N/A		N/A	
DIMMING & CONTROLS				
PHILIPS SUNRISE: SR1200ZTUNV	•		•	
LUTRON DIVA: DVTV-WH, DVSTV-WH	•		•	
LUTRON NOVA T: NTSTV-DV-XX	•		•	
LUTRON GRAFIX EYE QS: QSGRJ-XP	•		•	
LUTRON RADIO RA2: RRD-10ND	•		•	
LEVITON: LEV40050	•		•	
LEVITON IP710-LFZ	•		•	
LEGRAND: ADPD4FBL3P2W4	•		•	



**5.1 x 14.25 inch In-Wall Mounting Kit:** Includes power supply, box cover and stud hangers for installing Junction Box in wall. Select "IW" in the options section of compatible power supply ordering codes if an In-Wall Mounting Kit is needed.

**Ordering Codes:** PSB-25W-010-24VDC-IW, PSB-60W-010-24VDC-IW, PSB-96W-010-24VDC-IW



**8.5 x 14 inch In-Wall Mounting Kit:** Includes power supply, box cover and stud hangers for installing Junction Box in wall. Select "IW" in the options section of compatible power supply ordering codes if an In-Wall Mounting Kit is needed.

**Ordering Codes:** PSB-2X96W-010-24VDC-IW

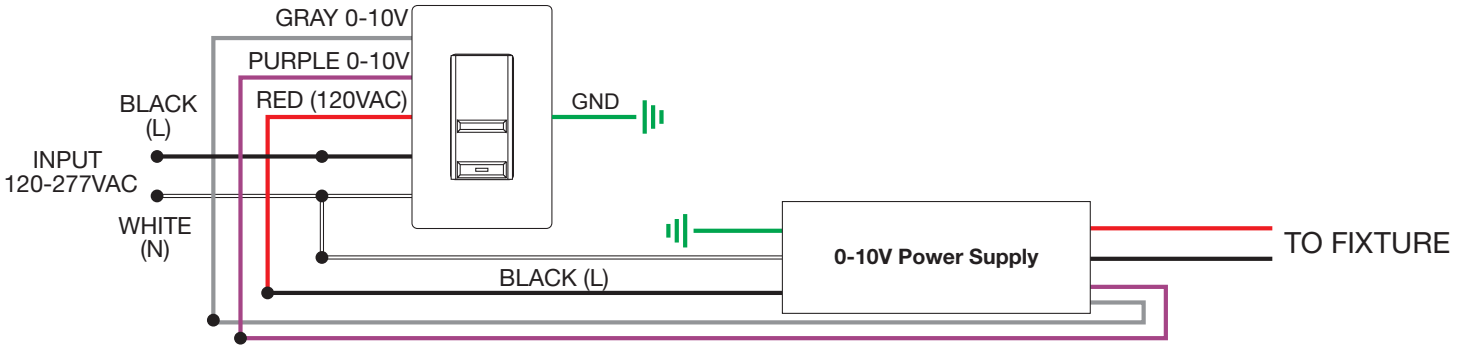
PROJECT		FIXTURE TYPE		DATE	
---------	--	--------------	--	------	--

**SAMPLE WIRING DIAGRAMS 24VDC 010**

**Application:** 0-10V Dimming Applications For Static White and Warm Dim 0-10V Dual Dimming.

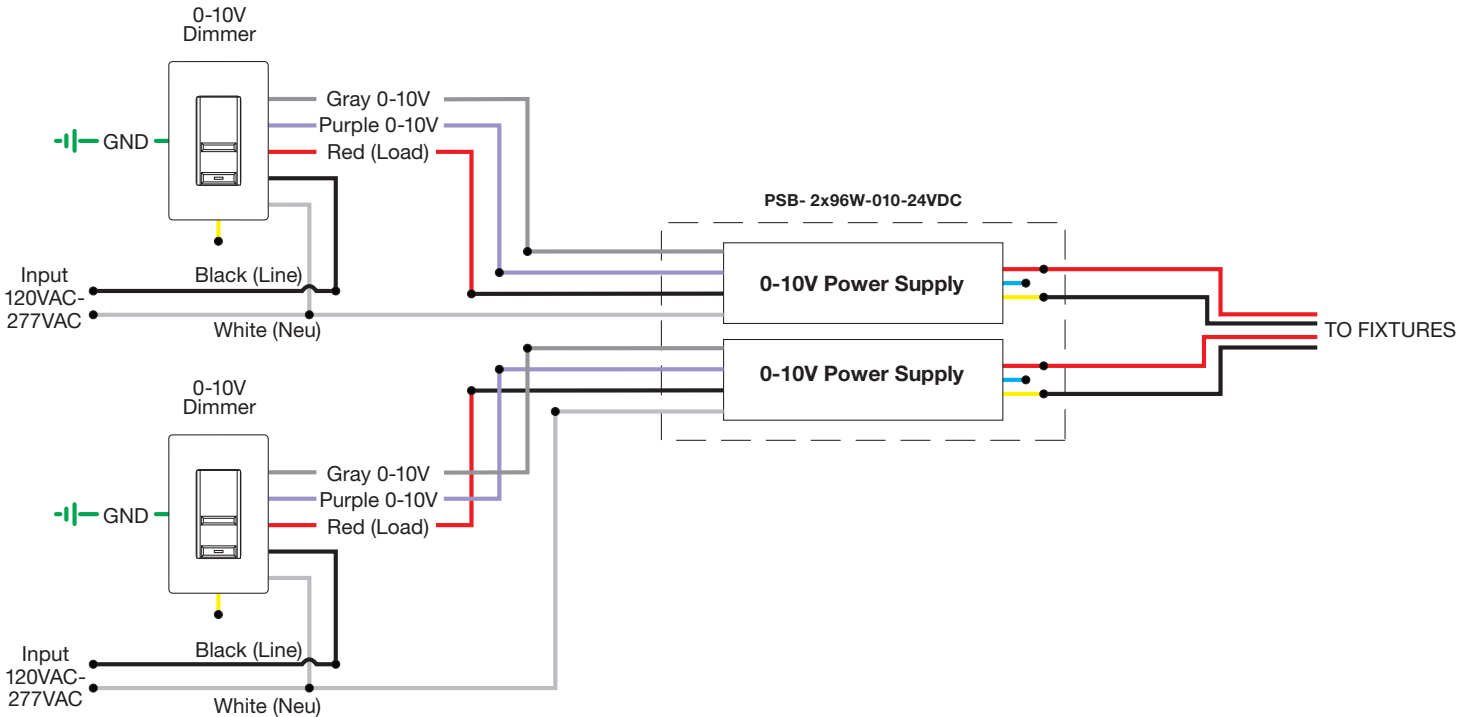
**Dimming:** Dimmable with 0-10V dimmers: Signify (Phillips) Sunrise: SR1200ZTUNV, Leviton Dimmers: LEV40050, IP710-LFZ, \*IP710-DLZ \*(Built in LED locator light) Legrand Dimmer: ADPD4FBL3P2W4 Lutron Systems: Lutron GRAFIX Eye QS Main Unit (with DRX-TVI) Radio Ra2 (with GRX-TVI)

**0-10V DIMMER**



**Application:** Dual 0-10V dimming for Dynamic/Tunable White 2000K-4000K

**Dimming:** Dimmable with Dual 0-10V dimmers: Signify (Phillips) Sunrise: SR1200ZTUNV, Leviton Dimmers: LEV40050, IP710-LFZ, \*IP710-DLZ \*(Built in LED locator light), Legrand Dimmer: ADPD4FBL3P2W4, Lutron Systems: Lutron GRAFIX Eye QS Main Unit (with DRX-TVI) Radio Ra2 (with GRX-TVI)



PROJECT	FIXTURE TYPE	DATE
---------	--------------	------



# INDOOR CONSTANT VOLTAGE REMOTE POWER SUPPLIES

24VDC, UNI - UNIVERSAL DIMMING WITH ELV, TRIAC, & 0-10V

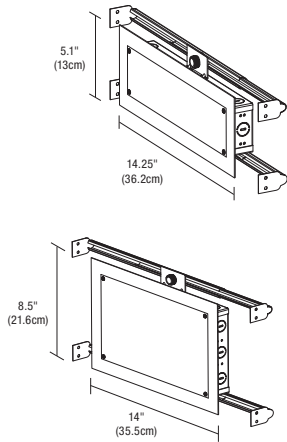
REV 10.27.20

UNIVERSAL POWER SUPPLIES & RECOMMENDED DIMMERS				
ORDERING CODE	PSB-40W-UNI-24VDC 	PSB-60W-UNI-24VDC 	PSB-2X40W-UNI-24VDC 	PSB-2X60W-UNI-24VDC 
<b>SPECIFICATIONS</b>				
MAXIMUM LOAD	40W	60W	2X40W	2X60W
INPUT VOLTAGE	120-277VAC	120-277VAC	120-277VAC	120-277VAC
OUTPUT VOLTAGE	24VDC	24VDC	24VDC	24VDC
DIMENSIONS	12.4" X 3.12" X 2.18"	12.4" X 3.12" X 2.18"	12.15" X 6.48" X 2.18"	12.15" X 6.48" X 2.18"
CLASSIFICATION	CLASS 2	CLASS 2	CLASS 2	CLASS 2
IN-WALL MOUNTING	PSB-40W-UNI-24VDC-IW	PSB-60W-UNI-24VDC-IW	PSB-2X40W-UNI-24VDC-IW	PSB-2X60W-UNI-24VDC-IW
UNIVERSAL POWER SUPPLIES & RECOMMENDED DIMMERS				
ORDERING CODE	PSB-96W-UNI-24VDC 	PSB-2X96W-UNI-24VDC 	PSB-3X96W-UNI-24VDC 	PSB-4X96W-UNI-24VDC 
<b>SPECIFICATIONS</b>				
MAXIMUM LOAD	96W	2X96W	3X96W	4X96W
INPUT VOLTAGE	120-277VAC	120-277VAC	120-277VAC	120-277VAC
OUTPUT VOLTAGE	24VDC	24VDC	24VDC	24VDC
DIMENSIONS	12.4" X 3.12" X 2.18"	12.15" X 6.48" X 2.18"	14" X 10" X 3"	17" X 13" X 3"
CLASSIFICATION	CLASS 2	CLASS 2	CLASS 2	CLASS 2
IN-WALL MOUNTING	PSB-96W-UNI-24VDC-IW	PSB-2X96W-UNI-24VDC-IW	NA	NA
<b>ELV DIMMING &amp; CONTROLS</b>				
LUTRON DIVA: DVELV-300P	•	•	•	•
LUTRON SKYLARK: SELV-300P	•	•	•	•
LUTRON RADIO RA2: RRD-6NA	•	•	•	•
LUTRON MAESTRO: MAELV-600	•	•	•	•
LEGRAND ADORNE: ADTP-703TUM4	•	•	•	•
<b>0-10 DIMMING &amp; CONTROLS</b>				
PHILIPS SUNRISE: SR1200ZTUNV	•	•	•	•
LUTRON DIVA: DVTW-WH, DVSTV-WH	•	•	•	•
LUTRON NOVA T: NTSTV-DV-XX	•	•	•	•
LUTRON GRAFIX EYE QS: QSGRJ-XP	•	•	•	•
LUTRON RADIO RA2: RRD-10ND	•	•	•	•
LEVITON: LEV40050	•	•	•	•
LEVITON IP710-LFZ	•	•	•	•
LEGRAND: ADPD4FBL3P2W4	•	•	•	•
<b>TRIAC DIMMING &amp; CONTROLS</b>				
LUTRON SKYLARK: S2-L-WH	•	•	•	•
LUTRON DIVA DVLV-600P-WH	•	•	•	•
LUTRON DIVA DVLV-603P-WH	•	•	•	•
LUTRON MAESTRO MALV-600-WH	•	•	•	•
LUTRON MAESTRO MALV-1000-WH	•	•	•	•
LUTRON MAESTRO MA-R-XX	•	•	•	•

- Flicker free dimming
- Aluminum casing for optimal heat dissipation
- Isolated output power per NEC and UL safety requirements
- UL & ETL recognized/ listed, meets UL 8750, 1310 requirements
- Auto-reset: short circuit, overload and thermal protection
- Class 2 power supply
- Efficient, High power factor > 0.90
- The Solid State Constant Voltage Uni-Power Supply is compatible with most commercially available Dimmers:
  - Triac Dimmer : (Forward Phase) Typically used for the dimming of Incandescent and Low Voltage Magnetic Transformers
  - ELV Dimmer : (Reverse Phase) Dimming of Electronic Low Voltage Transformers and Power Supply's used for LED lighting
  - 0-10 Dimmer : Dims the Low Voltage side of a 0-10 volt power supply commonly used in large scale lighting or commercial applications.
- The Uni-Power Supply is recommended with any Siemens/Murray brand of arc fault breaker to overcome the issues with tripping the breakers with an ELV LED Low Voltage Drivers.

PROJECT		FIXTURE TYPE		DATE	
---------	--	--------------	--	------	--

**IN WALL MOUNTING OPTIONS**



**In-Wall Mounting Kit:** Includes power supply, box cover and stud hangers for installing Junction Box in wall. Select "IW" in the options section of compatible power supply ordering codes if an In-Wall Mounting Kit is needed.

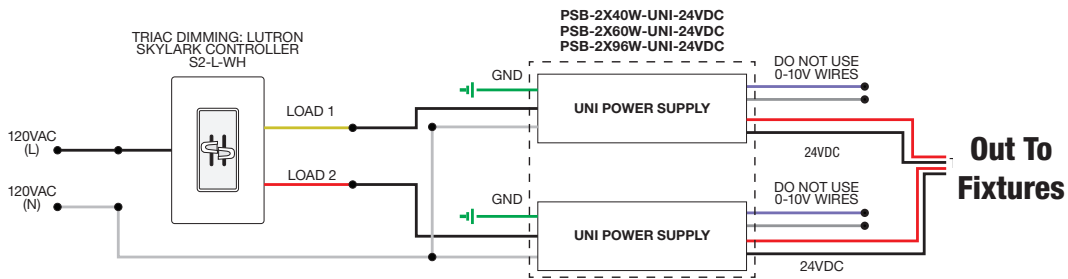
**Ordering Codes 5.1 x 14.25 inch:** PSB-40W-UNI-24VDC-IW  
PSB-60W-UNI-24VDC-IW  
PSB-96W-UNI-24VDC-IW

**Ordering Codes 8.5 x 14.25 inch:** PSB-2X40W-UNI-24VDC-IW  
PSB-2X60W-UNI-24VDC-IW  
PSB-2X96W-UNI-24VDC-IW

**WIRING DIAGRAMS UNIVERSAL POWER SUPPLY**

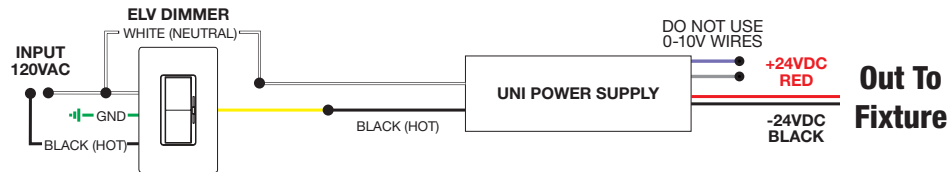
**Application:** Triac dimming for two power supplies, use for Static White, Dynamic/Tunable White

**Dimming:** Dimmable with Triac dimmer: Lutron: Skylark S2-L



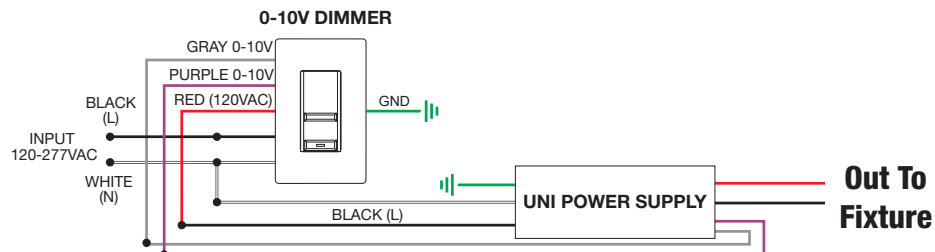
**Application:** ELV dimming for Static White and Warm Dim

**Dimming:** Dimmable with ELV dimmer: Legrand, Adorne ADTP703TU; Lutron: Diva DVELV-300P, Skylark SELV-300P, Maestro MAELV-600 and Radio Ra 2



**Application:** 0-10V dimming for Static White

**Dimming:** Dimmable with 0-10V dimmer: Philips Sunrise: SR1200ZTUNV; Lutron Diva: DVTV-WH, DVSTV-WH; Lutron Nova T: NTSTV-DV-XX; Lutron Grafix EYE QS: QSGRJ-XP; Lutron Radio Ra2: RRD-10ND; Leviton: LEV40050; Leviton IP710-LFZ; Legrand: ADPD4FBL3P2W4



PROJECT		FIXTURE TYPE		DATE	
---------	--	--------------	--	------	--

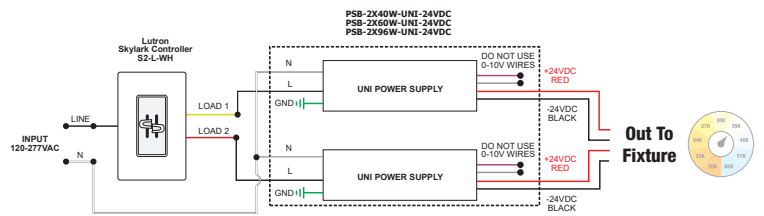
UNIVERSAL POWER SUPPLIES & COMPATIBLE DIMMERS*				
ORDERING CODE	PSB-2X40W-UNI-24VDC	PSB-2X60W-UNI-24VDC	PSB-2X96W-UNI-24VDC	PSB-4X96W-UNI-24VDC
<b>SPECIFICATIONS</b>				
MAXIMUM LOAD	2X40W	2X60W	2X96W	4X96W
INPUT VOLTAGE	120-277VAC	120-277VAC	120-277VAC	120-277VAC
OUTPUT VOLTAGE	24VDC	24VDC	24VDC	24VDC
DIMENSIONS	12.15" X 6.48" X 2.18"	12.15" X 6.48" X 2.18"	12.15" X 6.48" X 2.18"	17" X 13" X 3"
CLASSIFICATION	CLASS 2	CLASS 2	CLASS 2	CLASS 2
IN-WALL MOUNTING	PSB-2X40W-UNI-24VDC-IW	PSB-2X60W-UNI-24VDC-IW	PSB-2X96W-UNI-24VDC-IW	NA
<b>ELV DIMMING &amp; CONTROLS</b>				
LUTRON DIVA: DVELV-300P	•	•	•	•
LUTRON SKYLARK: SELV-300P	•	•	•	•
LUTRON RADIO RA2: RRD-6NA	•	•	•	•
LUTRON MAESTRO: MAELV-600	•	•	•	•
LEGRAND ADORNE: ADTP-703TUM4	•	•	•	•
<b>0-10 DIMMING &amp; CONTROLS</b>				
PHILIPS SUNRISE: SR1200ZTUNV	•	•	•	•
LUTRON DIVA: DVTW-WH, DVSTV-WH	•	•	•	•
LUTRON NOVA T: NTSTV-DV-XX	•	•	•	•
LUTRON GRAFIK EYE QS: QSGRJ-XP	•	•	•	•
LUTRON RADIO RA2: RRD-10ND	•	•	•	•
LEVITON: LEV40050	•	•	•	•
LEVITON IP710-LFZ	•	•	•	•
LEGRAND: ADPD4FBL3P2W4	•	•	•	•
<b>TRIAC DIMMING &amp; CONTROLS</b>				
LUTRON SKYLARK: S2-L-WH	•	•	•	•
LUTRON DVLV-600P-WH	•	•	•	•
LUTRON DVLV-603P-WH	•	•	•	•
LUTRON MALV-600-WH	•	•	•	•
LUTRON MALV-1000-WH	•	•	•	•
LUTRON MA-R-XX	•	•	•	•

- Flicker free dimming
- Aluminum casing for optimal heat dissipation
- Isolated output power per NEC and UL safety requirements
- UL & ETL recognized/ listed, meets UL 8750, 1310 requirements
- Auto-reset; short circuit, overload and thermal protection
- Class 2 power supply
- Efficient, High power factor > 0.90

- The Solid State Constant Voltage Uni-Power Supply is compatible with most commercially available Dimmers:
  - Triac Dimmer: (Forward Phase) Typically used for the dimming of Incandescent and Low Voltage Magnetic Transformers
  - ELV Dimmer: (Reverse Phase) Dimming of Electronic Low Voltage Transformers and Power Supply's used for LED lighting
  - 0-10 Dimmer: Dims the Low Voltage side of a 0-10 volt power supply commonly used in large scale lighting or commercial applications.
- The Uni-Power Supply is recommended with any Siemens/Murray brand of arc fault breaker to overcome the issues with tripping the breakers with an ELV LED Low Voltage Drivers.

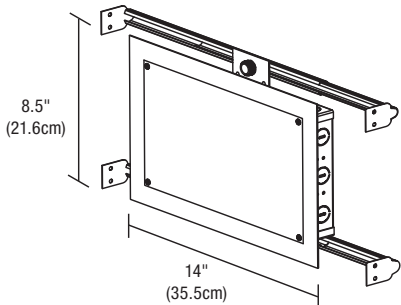
**MAXIMUM LENGTH**

POWER SUPPLY	5 WATTS	10 WATTS
PSB-2X40W-UNI-24VDC	8 FEET	4 FEET
PSB-2X60W-UNI-24VDC	12 FEET	6 FEET
PSB-2X96W-UNI-24VDC	20 FEET	10 FEET



**Configuration 1**  
 S2-L-WH (TRIAC) Single Pole Dimming with Dual Universal Power Supplies

**IN WALL MOUNTING OPTIONS**



**In-Wall Mounting Kit:** Includes power supply, box cover and stud hangers for installing Junction Box in wall. Select "IW" in the options section of compatible power supply ordering codes if an In-Wall Mounting Kit is needed.

**Ordering Codes 8.5 x 14.25 inch:** PSB-2X40W-UNI-24VDC-IW, PSB-2X60W-UNI-24VDC-IW, PSB-2X96W-UNI-24VDC-IW

PROJECT	FIXTURE TYPE	DATE
---------	--------------	------

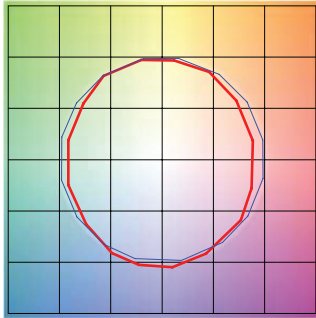
# CEILING TM30 DATA

## DOWNLIGHT WITH REMOTE POWER

**TM-30-15 DATA:** The data below is for SS2C, SS5C, SS7C, and SS10C bare LED Soft Strips. Consistent color temperatures throughout a single strip and among multiple strips is possible through a 3 phase binning process in which each order is inspected with a color meter to ensure uniformity.

**2200K** | Rf: 83.9 | Rg: 94.9

Color Vector Graphic

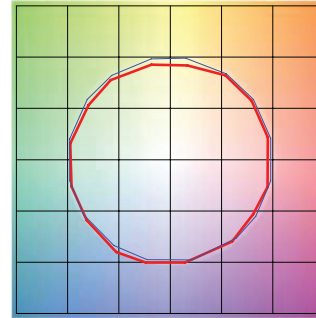


■ Test ■ Reference

GRAPHIC SHIFTS %			
HUE BIN	Rf	CHROMA	HUE
1	78.8	-9.5%	1.3%
2	80.7	-7.8%	6.7%
3	78.2	-3.3%	9.4%
4	89.7	-2.8%	3.6%
5	93.2	-0.8%	2.6%
6	93.0	-0.6%	-0.7%
7	87.7	-5.9%	-3.5%
8	89.2	-6.8%	1.9%
9	83.4	-5.6%	6.0%
10	79.3	-3.7%	10.8%
11	81.4	2.9%	11.1%
12	84.9	5.3%	4.9%
13	88.1	4.9%	-10.1%
14	68.1	0.1%	-19.5%
15	86.0	-3.3%	-7.3%
16	76.4	-8.9%	-11.7%

**2400K** | Rf: 91.2 | Rg: 96.8

Color Vector Graphic

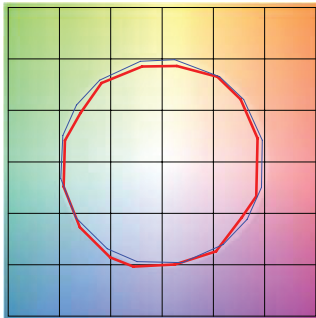


■ Test ■ Reference

GRAPHIC SHIFTS %			
HUE BIN	Rf	CHROMA	HUE
1	92.0	-2.4%	1.5%
2	94.7	-2.1%	0.0%
3	95.4	-1.9%	-0.1%
4	88.7	-6.7%	-3.1%
5	92.8	-5.6%	1.0%
6	92.7	-3.4%	3.4%
7	89.9	-4.3%	4.1%
8	92.4	-1.4%	4.4%
9	89.0	-0.6%	5.8%
10	88.9	0.4%	6.2%
11	89.7	4.0%	5.4%
12	92.6	3.0%	-0.7%
13	90.9	1.1%	-7.0%
14	89.9	0.5%	-5.8%
15	92.1	-3.2%	0.1%
16	88.9	-1.7%	-6.3%

**2700K** | Rf: 87.7 | Rg: 96.1

Color Vector Graphic

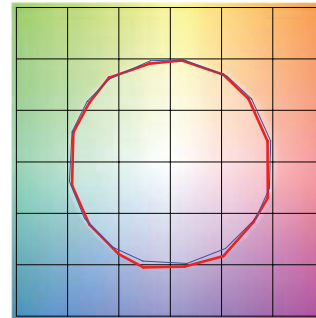


■ Test ■ Reference

GRAPHIC SHIFTS %			
HUE BIN	Rf	CHROMA	HUE
1	88.0	-4.3%	2.6%
2	91.6	-2.4%	2.0%
3	93.7	-1.4%	1.9%
4	88.9	-5.6%	-3.1%
5	92.3	-5.5%	-0.5%
6	92.9	-3.5%	0.1%
7	84.5	-7.5%	4.6%
8	90.8	-3.0%	4.4%
9	84.5	-1.3%	8.3%
10	83.9	2.0%	9.8%
11	87.2	5.3%	7.1%
12	89.2	5.4%	-2.6%
13	88.7	0.3%	-7.8%
14	86.8	1.7%	-9.3%
15	87.6	-5.4%	-1.3%
16	83.6	-3.3%	-9.5%

**3000K** | Rf: 88.1 | Rg: 99.7

Color Vector Graphic

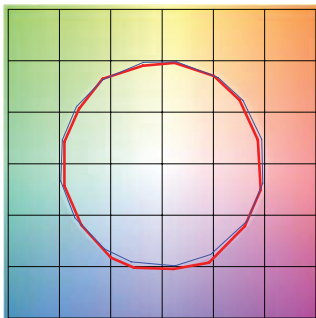


■ Test ■ Reference

GRAPHIC SHIFTS %			
HUE BIN	Rf	CHROMA	HUE
1	92.5	-3.1%	0.3%
2	93.3	-2.3%	1.9%
3	90.9	-0.8%	3.9%
4	94.3	-1.1%	1.4%
5	92.5	-2.6%	1.5%
6	96.4	1.2%	-0.3%
7	92.6	-2.5%	-0.0%
8	96.9	-1.4%	0.2%
9	92.3	-1.8%	4.3%
10	86.6	-0.7%	7.0%
11	86.5	2.4%	8.2%
12	89.8	5.9%	1.7%
13	93.9	2.6%	-2.7%
14	89.4	5.1%	-5.8%
15	90.1	-0.1%	-4.7%
16	86.5	0.3%	-9.7%

**3500K** | Rf: 86.1 | Rg: 95.5

Color Vector Graphic

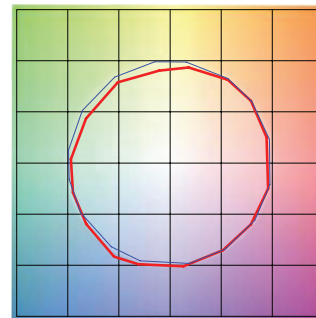


■ Test ■ Reference

GRAPHIC SHIFTS %			
HUE BIN	Rf	CHROMA	HUE
1	90.8	-3.8%	0.3%
2	92.3	-2.8%	2.1%
3	89.7	-1.0%	4.3%
4	92.6	-1.4%	1.7%
5	91.8	-3.1%	1.3%
6	96.2	0.8%	-0.4%
7	92.9	-3.2%	0.2%
8	94.3	-2.5%	1.5%
9	90.4	-2.5%	5.2%
10	84.3	-1.4%	9.5%
11	83.1	3.5%	9.8%
12	88.2	4.8%	3.4%
13	94.0	2.7%	-2.0%
14	88.7	5.9%	-5.8%
15	88.7	0.7%	-5.9%
16	86.8	-0.7%	-6.7%

**4000K** | Rf: 87.6 | Rg: 96.8

Color Vector Graphic



■ Test ■ Reference

GRAPHIC SHIFTS %			
HUE BIN	Rf	CHROMA	HUE
1	88.9	-2.4%	2.5%
2	93.3	-0.4%	0.8%
3	94.8	-1.0%	-0.6%
4	87.9	-4.9%	-3.6%
5	85.3	-9.4%	-2.6%
6	90.2	-6.0%	0.2%
7	85.3	-7.6%	4.6%
8	83.7	-4.1%	8.2%
9	79.5	-1.1%	13.8%
10	78.6	1.5%	12.1%
11	83.5	6.4%	7.8%
12	90.9	3.6%	-1.1%
13	88.3	1.7%	-6.3%
14	91.9	-0.4%	-2.2%
15	84.5	-0.9%	-5.5%
16	84.7	-1.1%	-4.4%

PROJECT	FIXTURE TYPE	DATE
---------	--------------	------

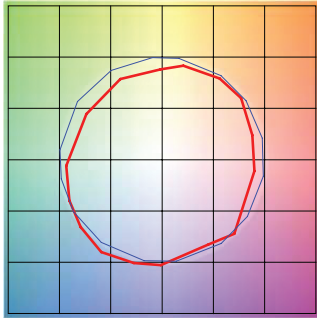
# CEILING TM30 DATA

## DOWNLIGHT WITH REMOTE POWER

**TM-30-15 DATA:** The data below is for SS2C, SS5C, SS7C, and SS10C bare LED Soft Strips. Consistent color temperatures throughout a single strip and among multiple strips is possible through a 3 phase binning process in which each order is inspected with a color meter to ensure uniformity.

**5700K** | Rf: 80.3 | Rg: 91.5

Color Vector Graphic

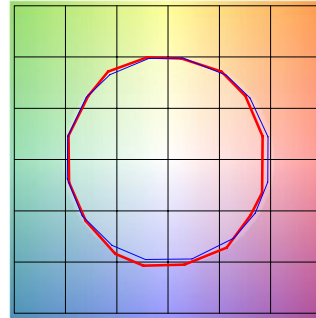


■ Test ■ Reference

HUE BIN	Rf	GRAPHIC SHIFTS %	
		CHROMA	HUE
1	75.4	-8.9%	4.7%
2	87.5	-2.6%	4.6%
3	90.7	-3.0%	-0.5%
4	83.2	-6.0%	-5.7%
5	76.2	-12.9%	-5.3%
6	81.4	-11.9%	-2.6%
7	74.8	-14.0%	5.1%
8	69.0	-9.0%	14.1%
9	72.6	-3.6%	22.2%
10	71.4	2.7%	16.1%
11	81.3	7.9%	5.3%
12	83.6	4.1%	-9.4%
13	78.4	0.7%	-15.3%
14	77.7	-6.2%	-11.0%
15	68.8	-1.3%	-21.2%
16	80.8	-9.6%	3.3%

**2700D** | Rf: 89.5 | Rg: 100.8

Color Vector Graphic

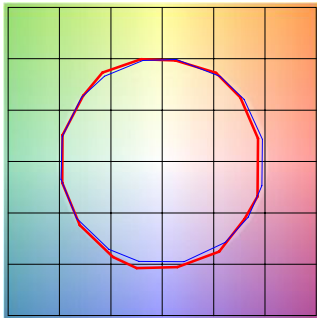


■ Test ■ Reference

HUE BIN	Rf	GRAPHIC SHIFTS %	
		CHROMA	HUE
1	88.8	-5.1%	1.4%
2	89.8	-2.7%	4.1%
3	87.2	0.3%	5.9%
4	92.3	-0.9%	1.0%
5	93.3	1.5%	1.7%
6	92.4	3.6%	-0.2%
7	92.2	-0.9%	-2.4%
8	96.7	-0.4%	-1.1%
9	92.3	-1.2%	3.7%
10	88.9	-0.0%	6.1%
11	86.4	5.1%	7.4%
12	88.2	6.3%	-0.9%
13	87.2	3.8%	-8.1%
14	84.2	3.8%	-11.0%
15	89.8	-2.6%	-4.3%
16	82.7	-3.4%	-11.1%

**3000D** | Rf: 89.8 | Rg: 101.4

Color Vector Graphic

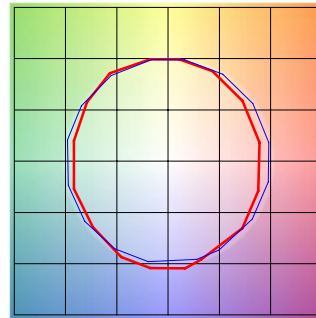


■ Test ■ Reference

HUE BIN	Rf	GRAPHIC SHIFTS %	
		CHROMA	HUE
1	90.2	-4.2%	1.5%
2	90.9	-2.0%	3.7%
3	87.9	0.8%	5.5%
4	92.1	-0.9%	0.6%
5	93.0	1.5%	1.6%
6	92.2	3.9%	-0.2%
7	92.1	-0.3%	-2.0%
8	96.7	0.0%	-1.2%
9	92.5	-0.6%	3.7%
10	88.3	1.1%	7.0%
11	87.2	4.1%	7.4%
12	87.2	6.7%	-1.0%
13	88.2	3.8%	-7.2%
14	85.3	4.3%	-9.9%
15	90.9	-2.2%	-3.6%
16	83.4	-2.2%	-11.2%

**2000K ONLY (2K4K)** | Rf: 84.3 | Rg: 96.9

Color Vector Graphic

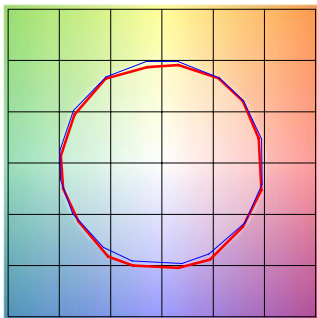


■ Test ■ Reference

HUE BIN	Rf	GRAPHIC SHIFTS %	
		CHROMA	HUE
1	80.3	-8.9%	1.7%
2	79.7	-7.0%	7.8%
3	78.9	-2.9%	10.0%
4	89.5	-0.5%	5.1%
5	94.4	0.7%	1.7%
6	92.1	2.4%	-0.3%
7	89.4	-2.4%	-5.9%
8	89.7	-6.4%	-0.2%
9	86.0	-4.9%	4.6%
10	81.8	-3.4%	9.3%
11	83.1	3.3%	9.7%
12	85.8	5.6%	3.3%
13	85.6	6.2%	-12.8%
14	61.7	-1.9%	-19.0%
15	79.7	-3.3%	-12.9%
16	78.1	-7.9%	-10.6%

**4000K ONLY (2K4K)** | Rf: 89.6 | Rg: 99.1

Color Vector Graphic

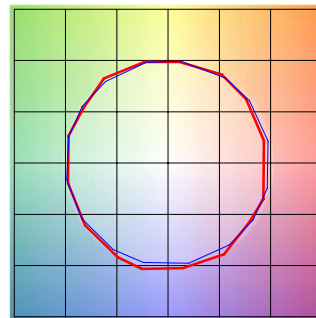


■ Test ■ Reference

HUE BIN	Rf	GRAPHIC SHIFTS %	
		CHROMA	HUE
1	91.3	-2.5%	1.0%
2	95.3	-0.5%	0.5%
3	94.3	-0.7%	1.1%
4	91.1	-3.4%	-1.1%
5	89.5	-5.6%	0.0%
6	94.6	-1.4%	1.3%
7	93.2	-3.0%	2.6%
8	91.3	-1.8%	4.6%
9	86.5	-0.9%	9.1%
10	83.3	-0.5%	9.5%
11	83.3	4.9%	9.0%
12	89.7	4.1%	1.7%
13	90.1	3.6%	-4.3%
14	93.4	5.2%	-2.1%
15	87.4	0.4%	-4.3%
16	86.6	0.4%	-6.1%

**2K4K (3000K)** | Rf: 90.2 | Rg: 101.4

Color Vector Graphic



■ Test ■ Reference

HUE BIN	Rf	GRAPHIC SHIFTS %	
		CHROMA	HUE
1	90.9	-3.8%	1.3%
2	91.7	-1.9%	3.3%
3	88.7	0.7%	5.1%
4	92.4	-1.0%	0.7%
5	92.9	0.9%	1.7%
6	93.1	3.3%	-0.6%
7	91.0	-1.8%	-0.4%
8	97.0	0.2%	-1.1%
9	92.8	-0.5%	3.6%
10	88.3	1.0%	7.0%
11	87.1	3.8%	7.8%
12	87.6	6.5%	-0.3%
13	89.3	3.6%	-6.3%
14	86.1	4.5%	-9.1%
15	91.6	-1.9%	-3.1%
16	83.8	-1.5%	-11.2%

PROJECT	FIXTURE TYPE	DATE
---------	--------------	------