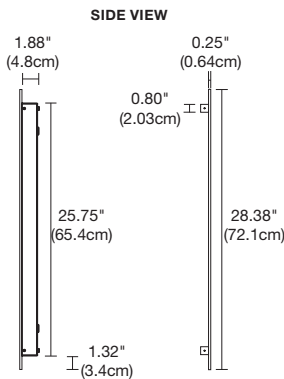
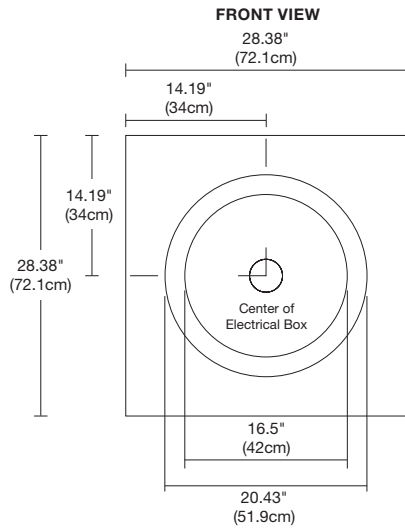


# ALICE MIRROR DYNAMIC/TUNABLE WHITE

## 24VDC HUMAN CENTRIC LIGHTING

DESIGNED BY GREGORY KAY | ASSEMBLED IN AMERICA

REV 01.15.20



**Description:**

Alice Dynamic White / Tunable White LED surface mounted mirror features Tunable White (Human Centric Lighting) technology. With a color-tuning range of 2000K-4000K, LEDs are set behind a round inset of frosted glass, projecting an even glow of Tunable White Light. This lets the end user see themselves in a perfect customizable light. The Alice Dynamic/Tunable White LED Mirror brings together the latest advancement in both luxury and technology. 5 year pro-rated warranty.

**Dimmers: (Dimmers Sold Separately)**

- ELV Dual Dimming
- 0-10V Dual Dimming
- TRIAC: S2-L Single Pole Dimming
- DMX: CDMX-2XK-WH Single Pole Dimming

**Accessories:**

Add Mirror Defogger **DF-RD15** to remove condensation (sold separately)

**Approvals:**

ADA and ETL listed. Title 24. Assembled in America.

**Dimensions:**

28.38" x 28.38" x 2.13"

**Input Voltage:**

120 VAC

**Diffuser:**

Frosted Glass

**Average Lamp Life:**

50,000 hours

**Body Finish:**

Mirror

**Weight:**

28 lbs (12.7 kg)

	Size	Lamp	Control	Color Temperature
<b>ALICE</b>	<b>28</b>	<b>LED</b>	<b>2UNI</b>	<b>2K4K</b>
<small>ALICE Alice</small>	<small>28 28"</small>	<small>LED LED</small>	<small>DMX DMX With Power Supply (Dimmers and controllers Sold Separately see pg 4) 2UNI 2 Universal Power Supplies Included in Mirror, Requires Dual ELV Dimmers, Dual 0-10V Dimmers or Single Pole TRIAC Lutron S2-L Skylark Dimmer. (Sold Separately)</small>	<small>2K4K 2000k - 4000k Dynamic / Tunable White LED technology</small>



PROJECT	FIXTURE TYPE	DATE
---------	--------------	------

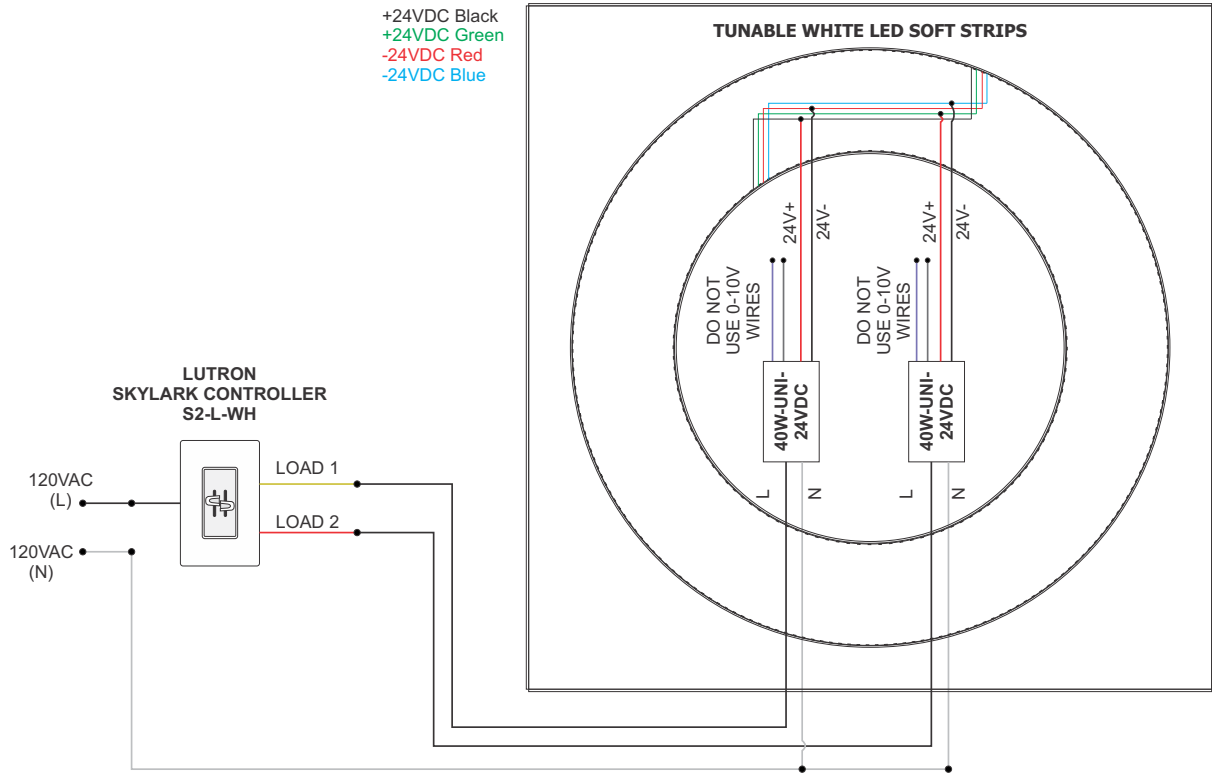
# ALICE MIRROR DYNAMIC/TUNABLE WHITE

## 24VDC HUMAN CENTRIC LIGHTING

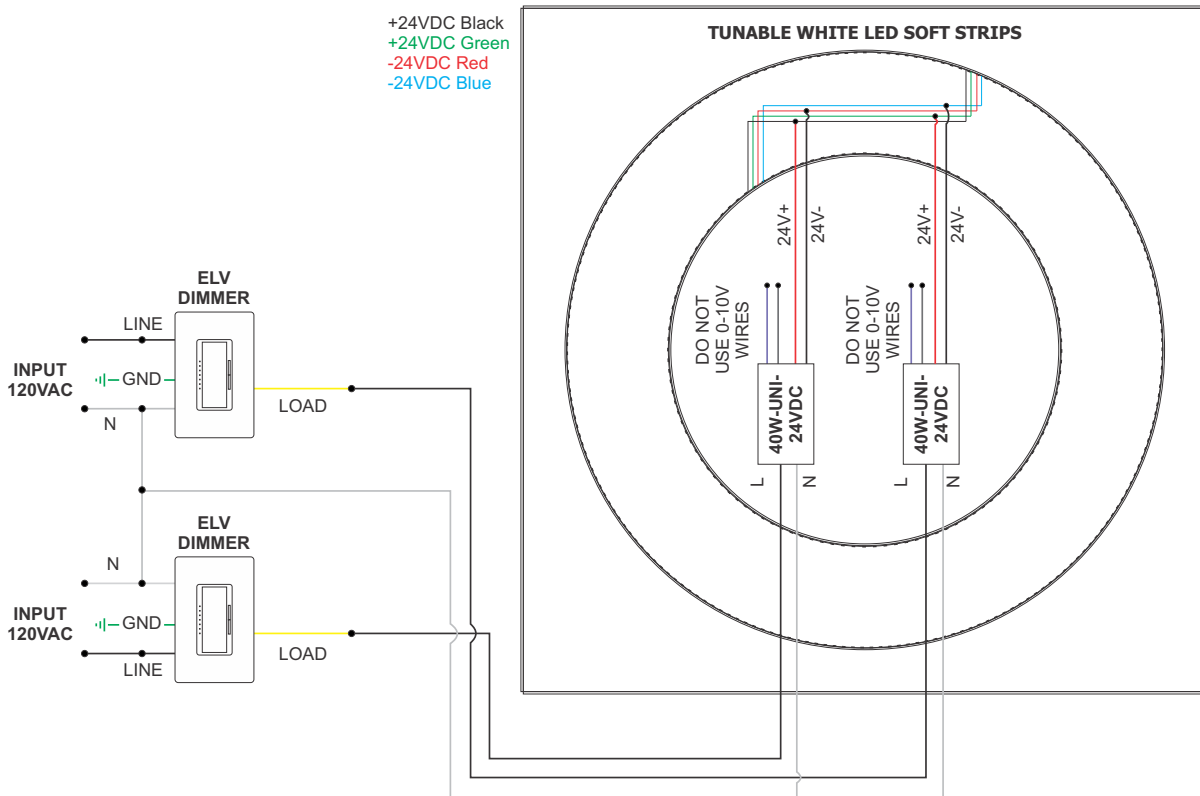
DESIGNED BY GREGORY KAY | ASSEMBLED IN AMERICA

REV 01.15.20

### Wiring Diagram: Dual Uni Drivers Lutron Skylark S2-L Dimmer



### Wiring Diagram: Dual Uni Drivers Dual ELV Dimmers



PROJECT		FIXTURE TYPE		DATE	
---------	--	--------------	--	------	--

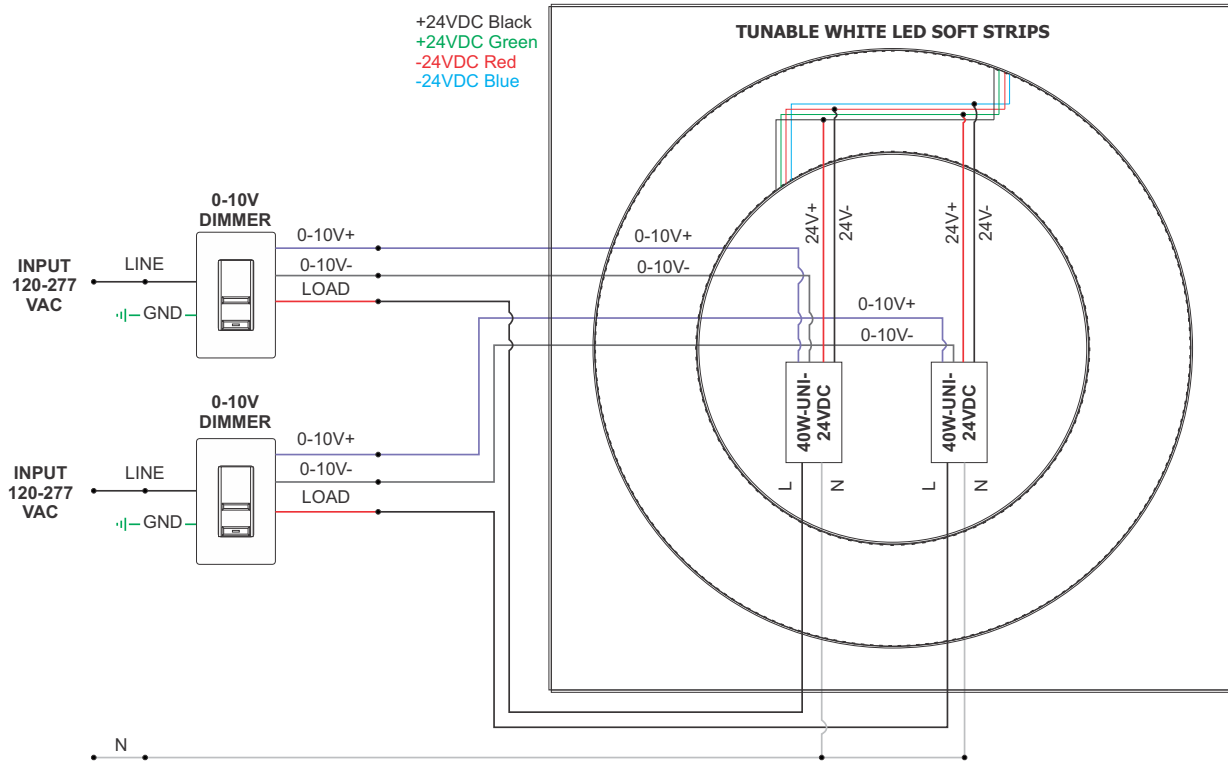
# ALICE MIRROR DYNAMIC/TUNABLE WHITE

## 24VDC HUMAN CENTRIC LIGHTING

DESIGNED BY GREGORY KAY | ASSEMBLED IN AMERICA

REV 01.15.20

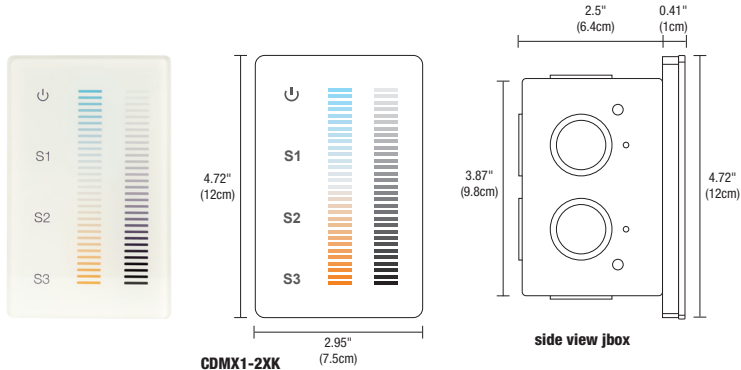
### Wiring Diagram: Dual Uni Drivers Dual 010 Dimmers



PROJECT		FIXTURE TYPE		DATE	
---------	--	--------------	--	------	--

# INDOOR CONSTANT VOLTAGE REMOTE POWER SUPPLIES

24VDC, DYNAMIC/TUNABLE WHITE POWER SUPPLIES WITH DMX DRIVER



### Description:

The Tunable White Touch Controller is a full-touch controller that offers fast and accurate color temperature adjustment and independent brightness dimming of a single zone. Designed for dynamic/tunable white and dual-color LED installations, this controller adjusts color temperature and brightness for warm and cool white LEDs. It also saves 3 preset scenes. Independent smooth dimming with 256 level brightness adjustment enables the DMX controller to achieve many colors within the full LED spectrum. Controller includes a power adapter that fits in junction box (not included) behind the controller. It contains an illuminated back light when powered off.

### Applications:

Indoor

### Power Input:

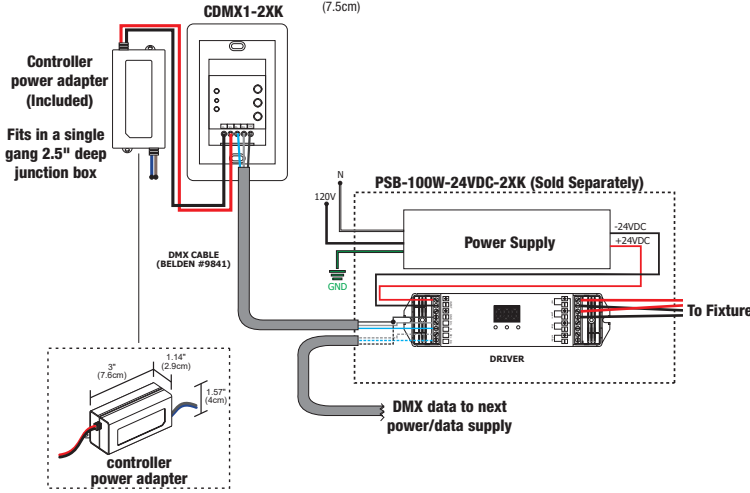
120-240VAC

### Installation:

Fits in a single gang 2.5 inch deep junction box, not to be used with a multi gang box

### Output Signal:

USITT DMX 512 (1990)



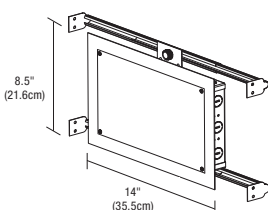
Product	Type	Finish
<b>CDMX1</b>	<b>2XK</b>	<b>WH</b>
CDMX1 DMX Single Zone Touch Controller	2XK 2 X Kelvin	WH White

DYNAMIC COLOR CHANGING (DMX) POWER SUPPLIES & RECOMMENDED CONTROLLERS <sup>1</sup>				
ORDERING CODE	PSB-100W-24VDC-2XK	PSB-2X100W-24VDC-2XK	PSB-3X100W-24VDC-2XK	PSB-4X100W-24VDC-2XK
<b>SPECIFICATIONS</b>				
<b>MAXIMUM LOAD</b>	100W	2X100W	3X100W	4X100W
<b>INPUT VOLTAGE</b>	120-277VAC	120-277VAC	120-277VAC	120-277VAC
<b>OUTPUT VOLTAGE</b>	24VDC	24VDC	24VDC	24VDC
<b>DIMENSIONS</b>	12.4" X 6.48" X 2.18"	14" X 10" X 3"	17" X 10" X 3"	17" X 10" X 3"
<b>CLASSIFICATION</b>	CLASS 2	CLASS 2	CLASS 2	CLASS 2
<b>IN-WALL MOUNTING</b>	PSB-100W-24VDC-2XK-IW	NA	NA	NA
<b>DMX DYNAMIC/TUNABLE WHITE DIMMING &amp; CONTROLS</b>				
<b>TUNABLE WHITE TOUCH CONTROLLER (CDMX1-2XK)</b>	•	•	•	•

- Flicker free dimming
- Aluminum casing for optimal heat dissipation
- Isolated output power per NEC and UL safety requirements
- UL & ETL recognized/ listed, meets UL 8750, 1310 requirements
- Auto-reset; short circuit, overload and thermal protection
- Class 2 power supply
- Efficient, High power factor > 0.90

- The Solid State Constant Voltage Uni-Power Supply is compatible with most commercially available Dimmers:
  - Triac Dimmer: (Forward Phase) Typically used for the dimming of Incandescent and Low Voltage Magnetic Transformers
  - ELV Dimmer: (Reverse Phase) Dimming of Electronic Low Voltage Transformers and Power Supply's used for LED lighting
  - 0-10 Dimmer: Dims the Low Voltage side of a 0-10 volt power supply commonly used in large scale lighting or commercial applications.
- The Uni-Power Supply is recommended with any Siemens/Murray brand of arc fault breaker to overcome the issues with tripping the breakers with an ELV LED Low Voltage Drivers.

## IN WALL MOUNTING OPTIONS



**8.5 x 14 inch In-Wall Mounting Kit:** Includes power supply, box cover and stud hangers for installing Junction Box in wall. Select "IW" in the options section of compatible power supply ordering codes if an In-Wall Mounting Kit is needed.

**Ordering Codes:** PSB-100W-24VDC-2XK-IW

PROJECT		FIXTURE TYPE		DATE	
---------	--	--------------	--	------	--

# ALICE MIRROR DYNAMIC/TUNABLE WHITE

## 24VDC HUMAN CENTRIC LIGHTING

DESIGNED BY GREGORY KAY | ASSEMBLED IN AMERICA

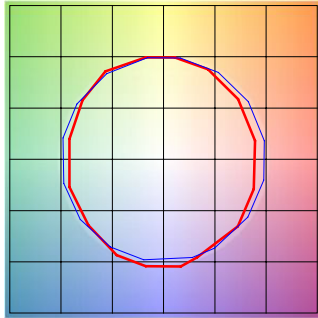
REV 01.15.20

### TM-30-15 DATA

The data below is for SS5C bare LED Soft Strips. Consistent color temperatures throughout a single strip and among multiple strips is possible through a 3 phase binning process in which each order is inspected with a color meter to ensure uniformity.

#### 2000K ONLY (2K4K) | Rf: 84.3 | Rg: 96.9

Color Vector Graphic

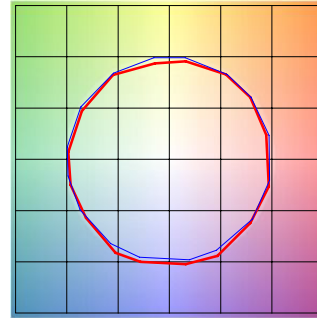


■ Test ■ Reference

HUE BIN	Rf	GRAPHIC SHIFTS %	
		CHROMA	HUE
1	80.3	-8.9%	1.7%
2	79.7	-7.0%	7.8%
3	78.9	-2.9%	10.0%
4	89.5	-0.5%	5.1%
5	94.4	0.7%	1.7%
6	92.1	2.4%	-0.3%
7	89.4	-2.4%	-5.9%
8	89.7	-6.4%	-0.2%
9	86.0	-4.9%	4.6%
10	81.8	-3.4%	9.3%
11	83.1	3.3%	9.7%
12	85.8	5.6%	3.3%
13	85.6	6.2%	-12.8%
14	61.7	-1.9%	-19.0%
15	79.7	-3.3%	-12.9%
16	78.1	-7.9%	-10.6%

#### 4000K ONLY (2K4K) | Rf: 89.6 | Rg: 99.1

Color Vector Graphic

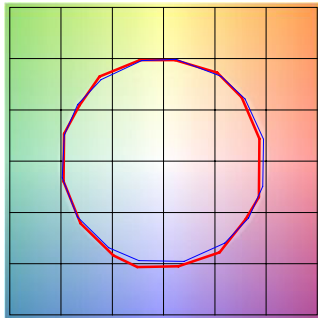


■ Test ■ Reference

HUE BIN	Rf	GRAPHIC SHIFTS %	
		CHROMA	HUE
1	91.3	-2.5%	1.0%
2	95.3	-0.5%	0.5%
3	94.3	-0.7%	1.1%
4	91.1	-3.4%	-1.1%
5	89.5	-5.6%	0.0%
6	94.6	-1.4%	1.3%
7	93.2	-3.0%	2.6%
8	91.3	-1.8%	4.6%
9	86.5	-0.9%	9.1%
10	83.3	-0.5%	9.5%
11	83.3	4.9%	9.0%
12	89.7	4.1%	1.7%
13	90.1	3.6%	-4.3%
14	93.4	5.2%	-2.1%
15	87.4	0.4%	-4.3%
16	86.6	0.4%	-6.1%

#### 2K4K (3000K) | Rf: 90.2 | Rg: 101.4

Color Vector Graphic



■ Test ■ Reference

HUE BIN	Rf	GRAPHIC SHIFTS %	
		CHROMA	HUE
1	90.9	-3.8%	1.3%
2	91.7	-1.9%	3.3%
3	88.7	0.7%	5.1%
4	92.4	-1.0%	0.7%
5	92.9	0.9%	1.7%
6	93.1	3.3%	-0.6%
7	91.0	-1.8%	-0.4%
8	97.0	0.2%	-1.1%
9	92.8	-0.5%	3.6%
10	88.3	1.0%	7.0%
11	87.1	3.8%	7.8%
12	87.6	6.5%	-0.3%
13	89.3	3.6%	-6.3%
14	86.1	4.5%	-9.1%
15	91.6	-1.9%	-3.1%
16	83.8	-1.5%	-11.2%

PROJECT	FIXTURE TYPE	DATE
---------	--------------	------