



PSB-200W-010-24VDC
200 WATT 24 VOLT DC POWER SUPPLY



DESIGNED BY GREGORY KAY | ASSEMBLED IN AMERICA

REV.05.16.19

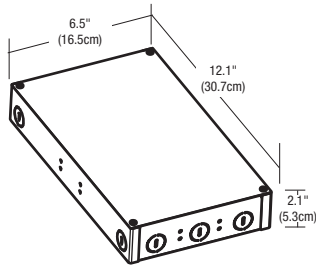


Description:

LED power supplies transform and regulate power from a line voltage power source into low voltage power for use with LED lighting. The PSB-200W-010-24VDC power supply accepts input voltage in range of 120-277 volts AC and outputs 24 volts DC power up to 200 watts. The power supply can be used as dimmable or non-dim power supply. Power Supply features short circuit and overload protection.

Applications: Indoor*

*To avoid overheating the power supply, install it in a ventilated remote location where air flows. Maintain proper spacing among power supplies when multiple power supplies are installed in the same remote location.



Power Input:
120-277VAC

Power Output:

In accordance to the local electrical codes, Non-Class 2 ETL listed 200 watt power supplies require conduit between the power supply and the lighting fixture junction box.

Dimensions:
12.1" x 6.5" x 2.1"

Dimmer Type:

Lutron: Radio Ra2 (with GRX-TVI), Grafik Eye Qs (with GRX-TVI), Diva (with PP20); Nova T
Philips: Sunrise SR1200ZTUNV
Leviton: IP710-DL

Product	Wattage	Dimming	Voltage
PSB	200W	010	24VDC
<small>PSB Power Supply with Enclosure Box</small>	<small>200W 200 Watt</small>	<small>010 0-10 Volt Dimming</small>	<small>24VDC 24 Volt DC</small>

PROJECT	FIXTURE TYPE	DATE
---------	--------------	------



PSB-200W-010-24VDC

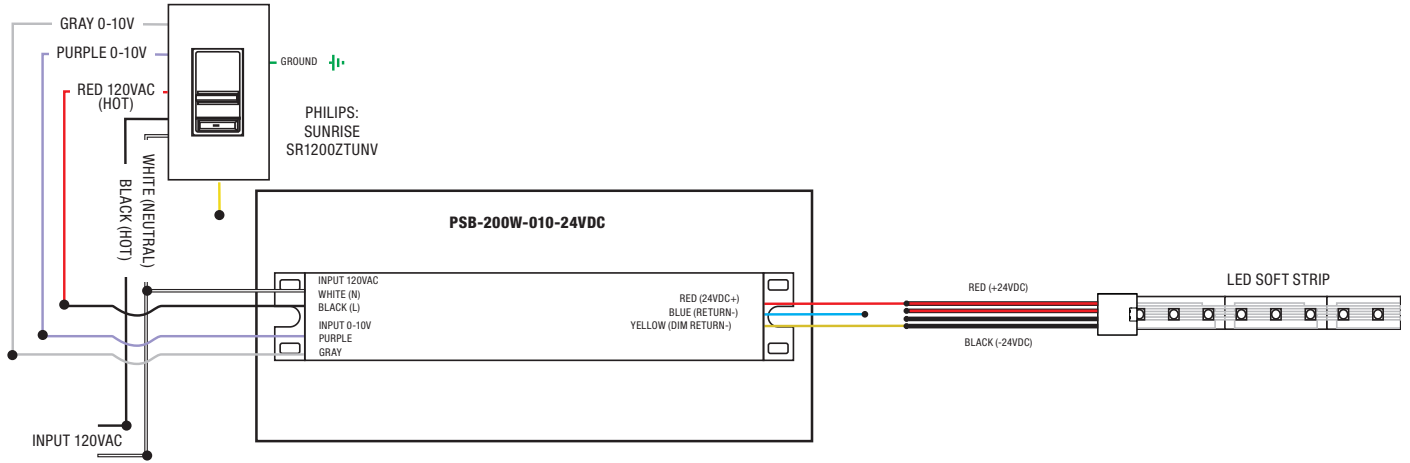
200 WATT 24 VOLT DC POWER SUPPLY



DESIGNED BY GREGORY KAY | ASSEMBLED IN AMERICA

REV.05.16.19

Application: 0-10V dimming for LED Soft Strip



200W, 24VDC LOW VOLTAGE WIRE SIZE CHART

3% VOLTAGE DROP	WIRE LENGTH IN FT	UP TO 16FT	17FT-24FT	25FT-41FT	42FT-62FT
	WIRE SIZE	14 AWG	12 AWG	10 AWG	8 AWG
	VOLTAGE AT END OF WIRE	23.28VDC	23.29VDC	23.28VDC	23.28 VDC

PROJECT	FIXTURE TYPE	DATE
---------	--------------	------