

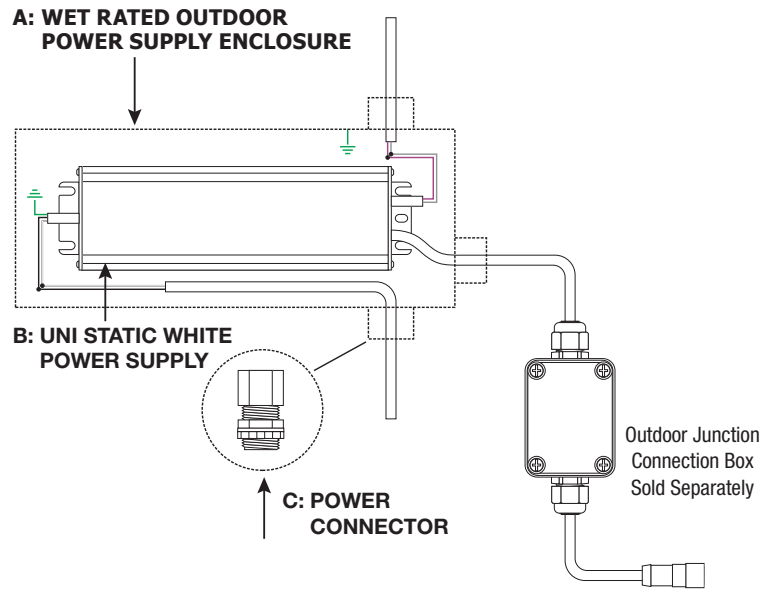
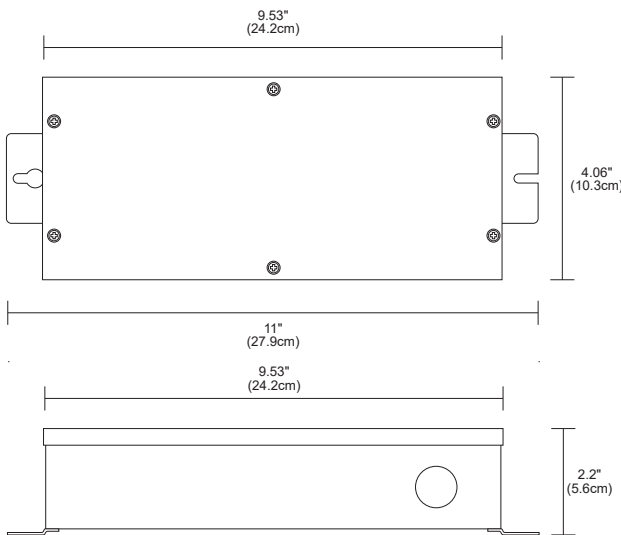


Con-1-2CORD-O Cord conductors included

UNI STATIC WHITE POWER SUPPLY WET LOCATION

Universal Power Supply: 120/277VAC-24VDC with Universal dimming ELV, Triac or 0-10V dimmers. 100-0% Flicker free dimming. Aluminum casing for optimal heat dissipation. Isolated output power per NEC and UL safety requirements. UL & ETL recognized/ listed, meets UL8750, 1310 requirement. Auto-reset; short circuit, overload and thermal protection. Class 2 power supply. Efficient, High power factor > 0.90. Exceeds California Title 24 Requirements AAA rating. Efficiency > 84% Power Factor > 0.90. Case TC 90C° Max. Protection Input / Output Storage -30°C / +90°C Humidity 95% RH Max. Class 2 Power Supply Dimming ELV, Triac, 0-10V IP Rating IP67

Product	Wattage	Type	Voltage	Option
PSB	60W	UNI	24VDC	W
PSB Power Supply with Aluminum Casing	60W 60 Watts 96W 96 Watts	UNI Uni Driver	24VDC 24VDC	W Wet Location



TRIAC DIMMING & CONTROLS
LUTRON SKYLARK: S2-L-WH
LUTRON DVLV-600P-WH
LUTRON DVLV-603P-WH
LUTRON MALV-600-WH
LUTRON MALV-1000-WH
LUTRON MA-R-XX

ELV DIMMING & CONTROLS
LUTRON DIVA: DVELV-300P
LUTRON SKYLARK: SELV-300P
LUTRON RADIO RA2: RRD-6NA
LUTRON MAESTRO: MAELV-600
LEGRAND ADORNE: ADTP-703TUM4
0-10 DIMMING & CONTROLS
PHILIPS SUNRISE: SR1200ZTUNV
LUTRON DIVA: DVTV-WH, DVSTV-WH
LUTRON NOVA T: NTSTV-DV-XX
LUTRON GRAFIK EYE QS: QSGRJ-XP
LUTRON RADIO RA2: RRD-10ND
LEVITON: LEV40050
LEVITON IP710-LFZ
LEGRAND: ADPD4FBL3P2W4

A. WET RATED OUTDOOR POWER SUPPLY ENCLOSURE

Use of Outdoor requires a Wet Location Junction Box to house the wire connection from the Power Supply. The Outdoor Connection Box is sold separately. A and B come together in the above product.

B. UNI STATIC WHITE POWER SUPPLY

The product above is the power supply inside an aluminum enclosure. Outdoor has a maximum run length of 40' at 2 watts per foot or 20' at 5 watts.

C. POWER CONNECTOR

Power Connector connects to the remote power supply. Comes connected to each end of the fixture

- Flicker free dimming
- Class 2 power supply
- Efficient, High power factor > 0.90
- Aluminum casing for optimal heat dissipation
- Isolated output power per NEC and UL safety requirements

- UL & ETL recognized/ listed, meets UL 8750, 1310 requirements
- Auto-reset; short circuit, overload and thermal protection
- The Solid State Constant Voltage Uni-Power Supply is compatible with most commercially available Dimmers:
 - Triac Dimmer: (Forward Phase) Typically used for the dimming of Incandescent and Low Voltage Magnetic Transformers
 - ELV Dimmer: (Reverse Phase) Dimming of Electronic Low Voltage Transformers and Power Supply's used for LED lighting
 - 0-10 Dimmer: Dims the Low Voltage side of a 0-10 volt power supply commonly used in large scale lighting or commercial applications.
- The Uni-Power Supply is recommended with any Siemens/Murray brand of arc fault breaker to overcome the issues with tripping the breakers with an ELV LED Low Voltage Drivers.
- *Title 24 with JA8 listed PureEdge products and systems

To determine the necessary wire gauge use our [Voltage Drop Calculator](https://www.pureedgelighting.com/tools/voltage_drop).

https://www.pureedgelighting.com/tools/voltage_drop

PROJECT		FIXTURE TYPE		DATE	
---------	--	--------------	--	------	--