

# IIS-50-I

## 50 WATT EMERGENCY POWER MICRO-INVERTER UNIT



Product	Wattage	Type
<b>IIS</b>	<b>50</b>	<b>I</b>
<small>IIS Micro-Inverter</small>	<small>50W 50 Watt</small>	<small>I I</small>

### DESCRIPTION:

The IOTA IIS-50-I is a UL Listed sine wave output inverter designed to provide power to the designated emergency lighting fixture. In a power loss situation, the IOTA IIS-50-I will supply 120 or 277 VAC power to operate up to a 50W total connected load for not less than 90 minutes. The IOTA IIS-50-I works in conjunction with LED, fluorescent, and incandescent lamp and fixture types and will automatically run switched, normally-on, or normally-off designated emergency fixtures. The IIS-50-I is ideal for applications requiring an emergency source in elevated ceilings, for high output luminaires, and lamp types utilizing Edison screw (ES) designs. The IIS-50-I features a replaceable long-life nickel-cadmium battery and is covered under IOTA's five-year warranty

### APPLICATIONS: Indoor

To avoid overheating the power supply, install it in a ventilated remote location where air flows. Maintain proper spacing (6") among power supplies when multiple power supplies are installed in the same remote location.

### INPUT VOLTAGE:

Dual 120/277VAC (60Hz)  
60 Watts (Bulk Charge)

### OUTPUT VOLTAGE:

120/277VAC (Side Switch Selectable) 60Hz  
50 Watts (at 0.9 leading to 0.9 lagging PF)

### DIMENSIONS:

22.5" x 3.0" x 2.75"

### EMERGENCY OPERATIONS:

90 minutes

### OPERATING TEMP:

0° to 50°c

### WEIGHT:

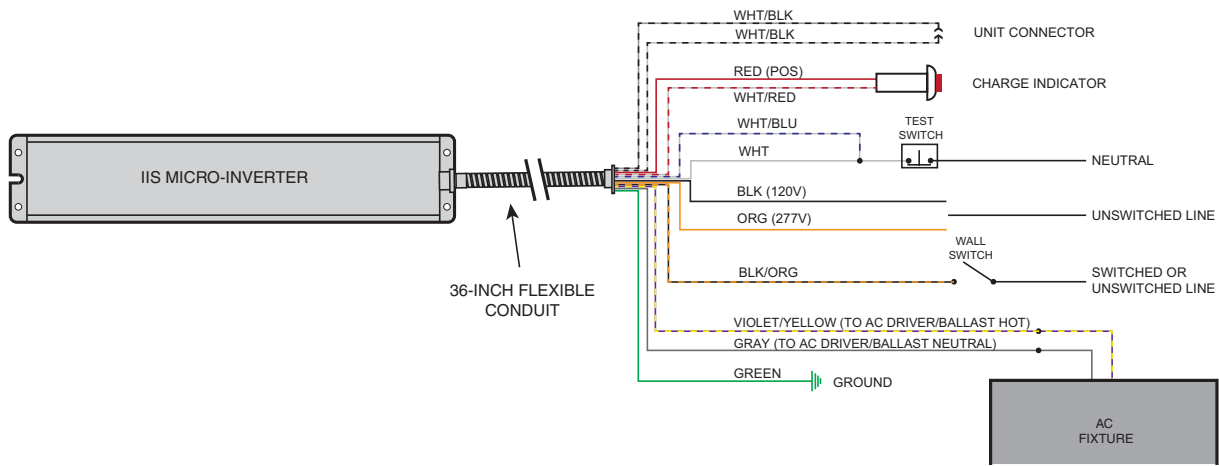
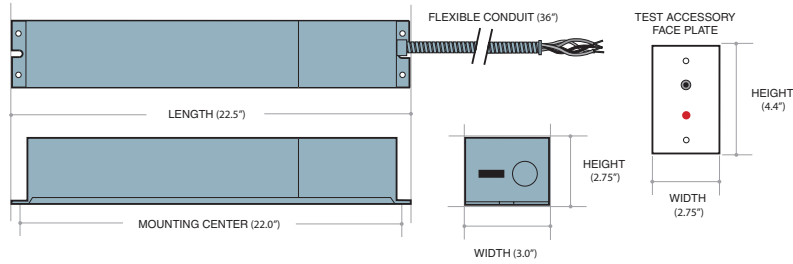
9 lbs

### FEATURES:

- UL 924 Listed
- cUL Listed to CSA C22 No. 141
- Pure sine wave output
- Operates LED, incandescent, and fluorescent fixtures, fixtures with dimmable ballasts, and screw-base lamp types
- For use with switched or unswitched fixtures
- Dual voltage 120/277 VAC 60Hz input with 120/277 VAC 60Hz slide switch selectable output
- Includes test switch and charge indicator accessory kit
- Replaceable and recyclable long-life high temperature nickel-cadmium battery
- Line voltage allows for remote mounting of emergency fixtures at distances up to 250 feet
- Low Battery Voltage Disconnect (LVD)
- Rated for use in damp locations
- Meets or exceeds all National Electrical Code and Life Safety Code Emergency Lighting Requirements
- RoHS Compliant
- Five-Year Warranty

PROJECT		FIXTURE TYPE		DATE	
---------	--	--------------	--	------	--

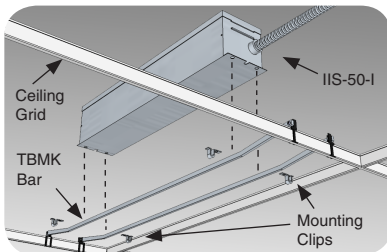
**DIMENSIONS AND WIRING DIAGRAM**



**ACCESSORIES** (ordered as separate item)

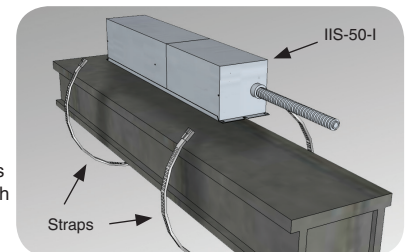
**TBMK T-Grid Mounting Kit**

Use the TBMK mounting kit to remote mount the IIS unit within a grid ceiling. The IIS unit is secured to the bars of the TBMK via mounting clips. The bars then mount to the T-bars of the ceiling grid. The flexible conduit of the IIS unit connects to the fixture.



**SK - Strap Kit**

The SK strap kit provides (2) straps that run through the mounting tabs of the unit for securing to a beam or column near the fixture. Overall strap length is 18". Multiple strap kits can be used in conjunction with each other for larger diameter requirements.



PROJECT	FIXTURE TYPE	DATE
---------	--------------	------