



HDR-100-24N

DESCRIPTION

Din Rail power supplies are an economical ultra slim 100w DIN rail power supply. its adapted to be installed on TS-35/7.5 or TS-35/15 mounting rails. The body is designed 70mm (4SU) in width, which allows space saving inside the cabinets. Adopting the full voltage range of 85VAC-264VAC (operational 277VAC condition). The HDR-100-24N is designed with an insulated housing protecting from electrical shock hazards. For custom quotes and layout assistance, send your drawings and ideas to our design team: design@PureEdgeLighting.com.

APPLICATIONS: Indoor*

*To avoid overheating the power supply, install it in a ventilated remote location where air flows -30° to 70°C ambient temperatures. Maintain proper spacing among power supplies when multiple power supplies are installed in the same remote location.

MOUNTING

DIN Rail

POWER INPUT

85-277 volts AC, 50/60Hz

POWER OUTPUT

Class 2; 24 or 48 volts, 96 watts maximum

EFFICIENCY

>84%

POWER FACTOR

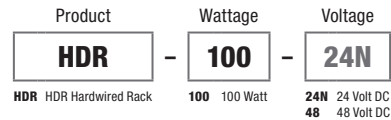
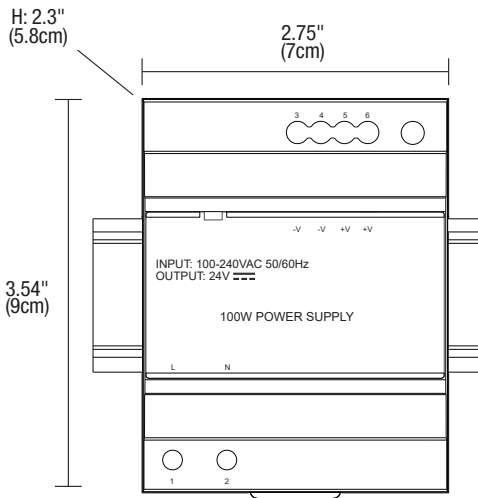
>0.90

DIMENSIONS

3.54" x 2.75" x 2.3"

AMBIENT OPERATING TEMPERATURE

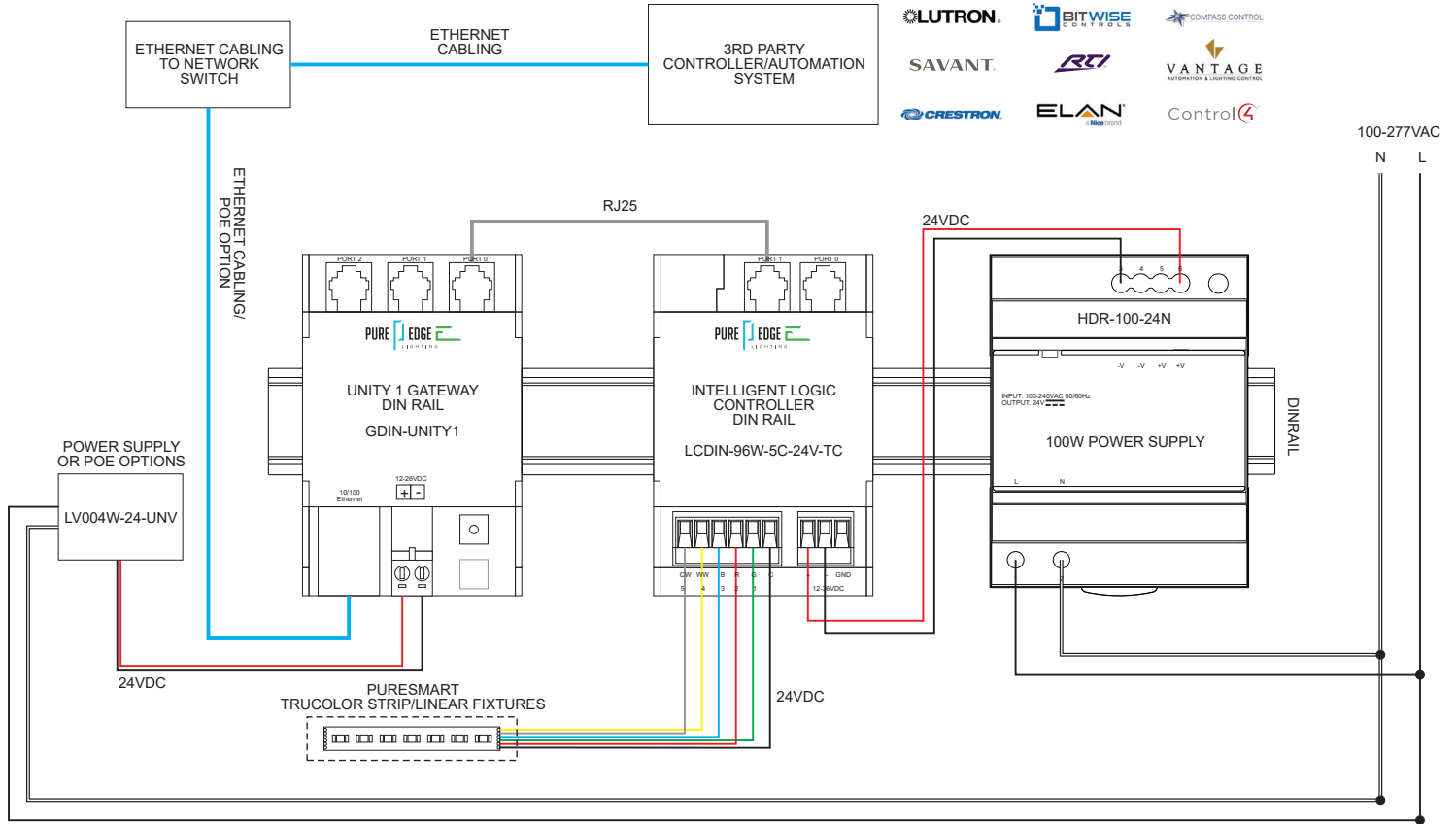
-30C to 70C



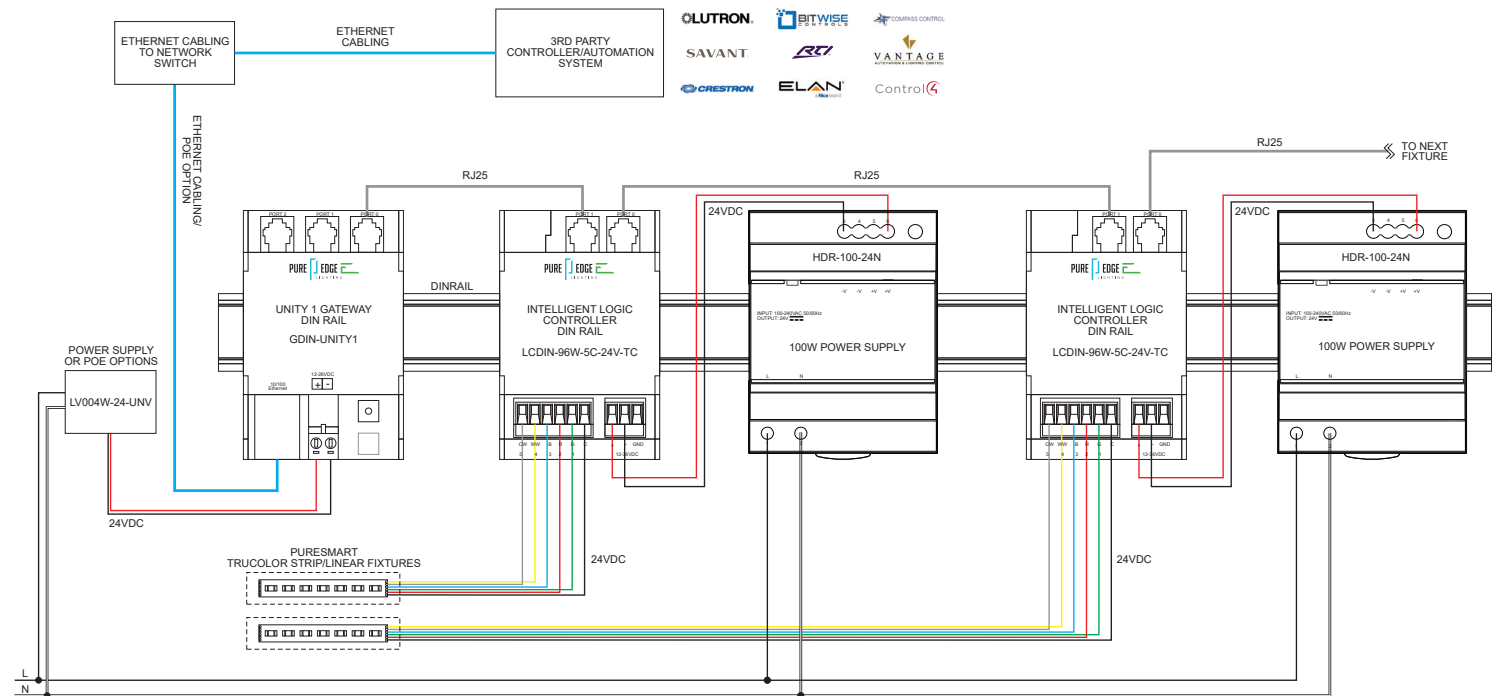
PROJECT	FIXTURE TYPE	DATE
---------	--------------	------

NETWORK TOPOLOGY & WIRING DIAGRAMS

Single Bridge Box Application with GDIN-UNITY1



Multiple Bridge Box Application with GDIN-UNITY



PROJECT	FIXTURE TYPE	DATE