


**DESCRIPTION**

Full touch controller offers fast and accurate color tone adjustment and independent brightness control. The 10 zone controller can adjust Tunable White, RGB and RGBW LEDs smoothly and accurately. Independent smooth dimming of each channel enables the controller to achieve millions of colors. For indoor applications only, and includes a Power Adapter to operate the controller.

**FEATURES AND BENEFITS**
**KEY FEATURES:**

- Sleek glass design which sits 11mm from the wall
- Graphical color display to show selected environment
- Color/dimmer/speed palette
- Color temperature mixing
- Touch sensitive buttons. No mechanical parts
- Touch sensitive wheel allows for accurate color selection
- Multi-zone microSD memory
- Multi-room control with 500 scenes, 10 zones
- 1024 DMX channels. Control 340 RGB fixtures
- USB & Ethernet connectivity for programming and control
- RS232, Dry Contact Ports and an Infra Red input port
- Clock and calendar with Sunrise/Sunset triggering
- Network communication. Control lighting remotely
- Catalog of designs including black and white glass
- OEM customization of the color palette and logo
- Windows/Mac software to set dynamic colors/effects
- iPhone/iPad/Android remote and programming apps

**APPLICATIONS**

Indoor

**POWER ADAPTER**

9VDC 0.65A (included)

**POWER INPUT**

7VDC 0.6A

**OUTPUT SIGNAL**

DMX512 1,024 channels total

**INPUT SIGNAL**

Universal IR receiver (Sold Separately), RS232, Contact Closure, Live Computer Link, DMX512, WiFi

**CONNECTIONS**

USB, Ethernet, RS232, Clock, 8 dry contact ports, open drain output

**MEMORY**

microSD (32GB Max)

**COMPUTER AND MOBILE DEVICE REQUIREMENTS**
**IPHONE/IPAD/ANDROID:**

The controller may be used with any of the following apps: DMX Lightpad 3, Easy Remote and Arcolis may be downloaded from App Store or Google Play.

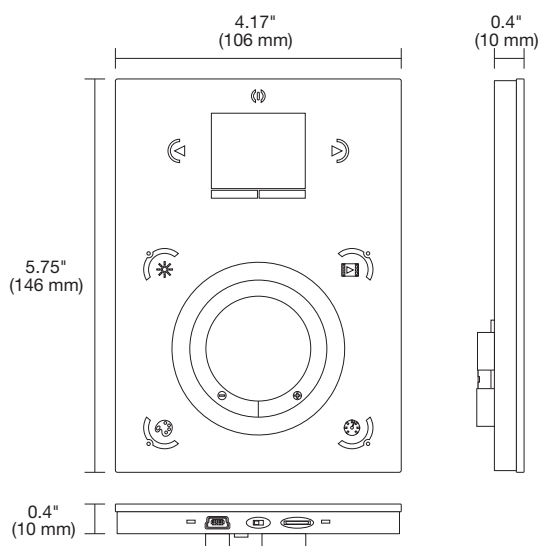
**ESA PRO SOFTWARE (WINDOWS ONLY, TIMELINE AND MULTI-ZONE):**

Windows ME, XP, Vista, 7 or 8 (32 bits and US 2.0, computer connection required for initial setup only.)

**ESA2 SOFTWARE (WINDOWS/MAC, SINGLE ZONE):**

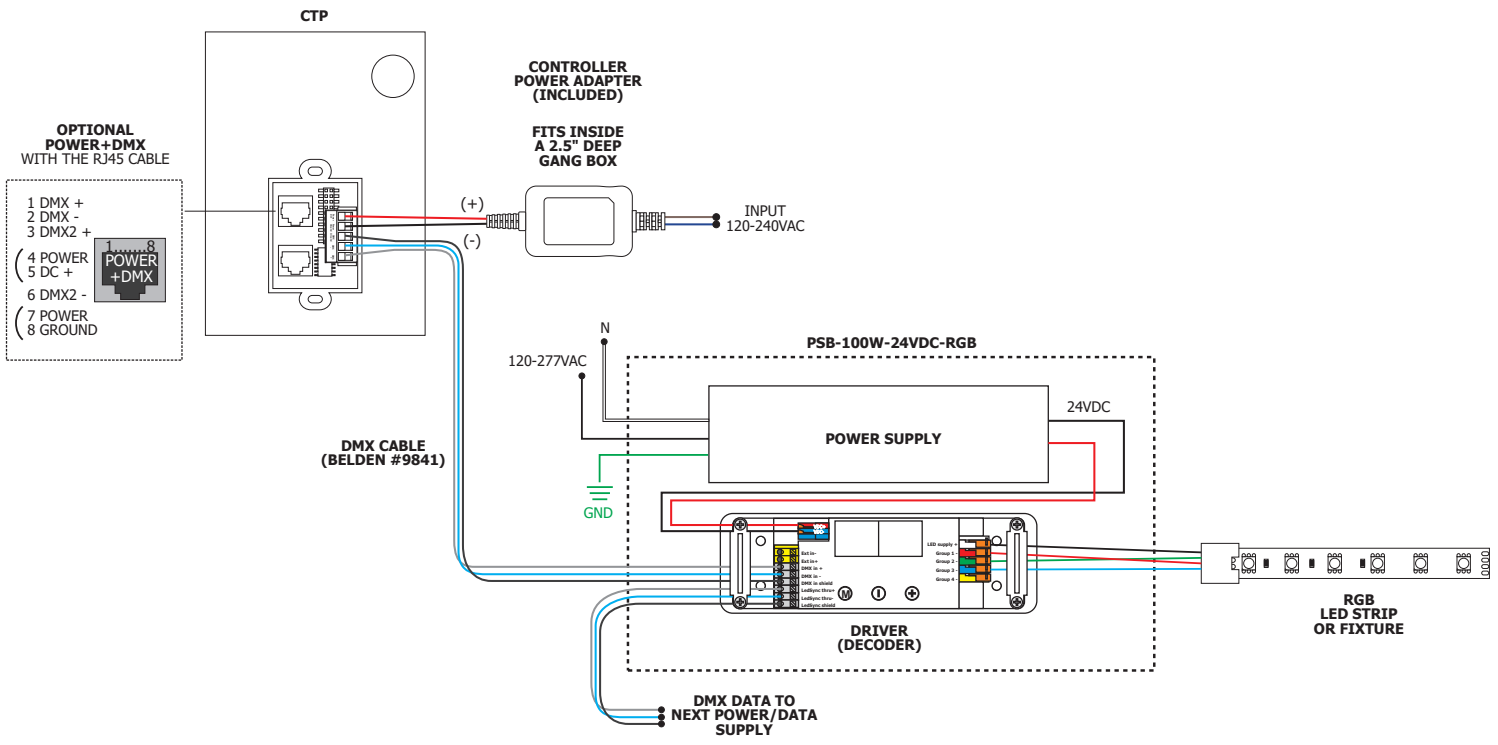
Windows ME, XP, Vista, 7 or 8

Mac OS X 10.7 (Lion), 10.8 (Mountain lion), 10.9 (Mavericks), 10.10 (Yosemite)

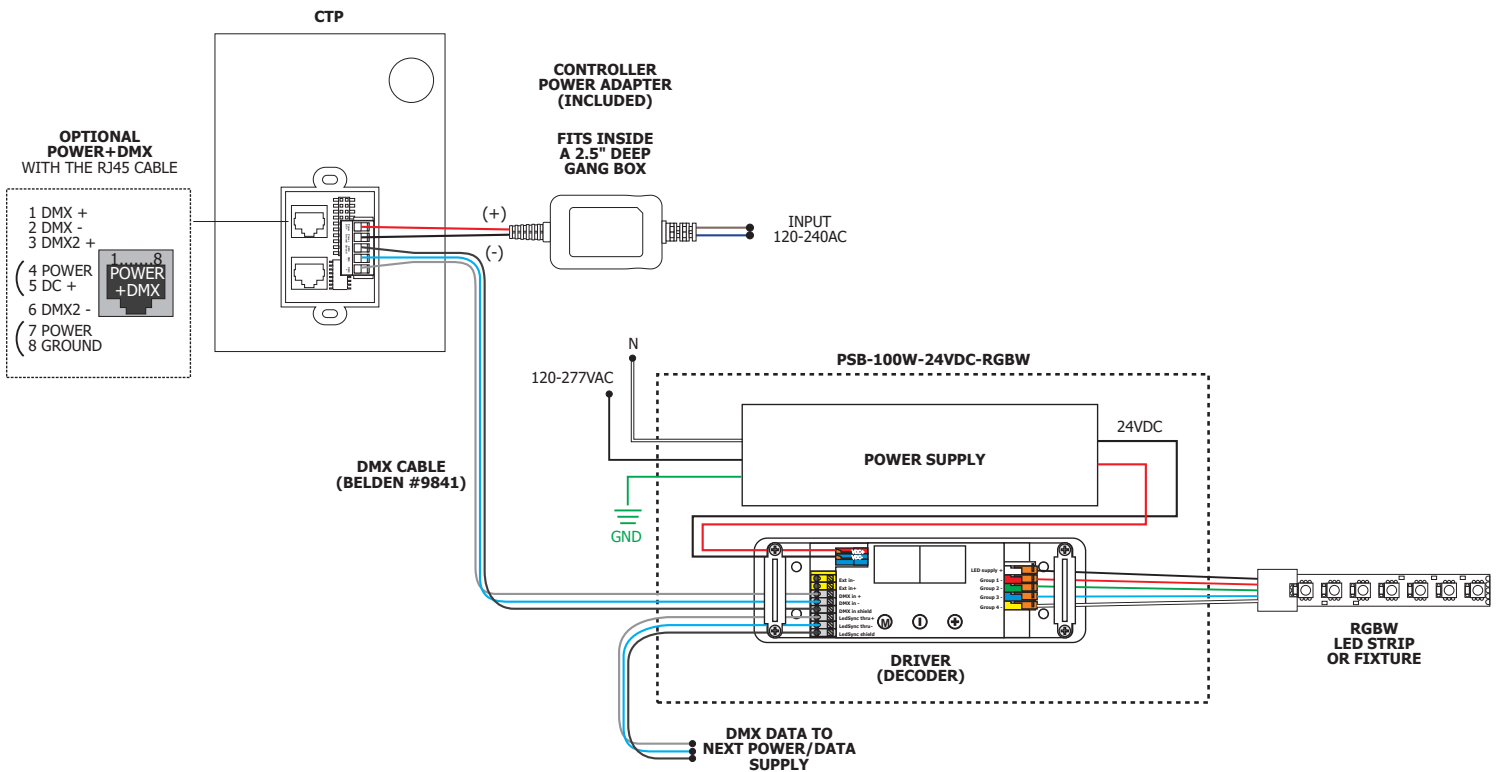


Product	Finish
<b>CTP</b>	<b>BK</b>
CTP Color Touch Screen Controller with Power Adapter	BK Black WH White

**RGB Wiring Diagram**



**RGBW Wiring Diagram**



## Tunable White Wiring Diagram

