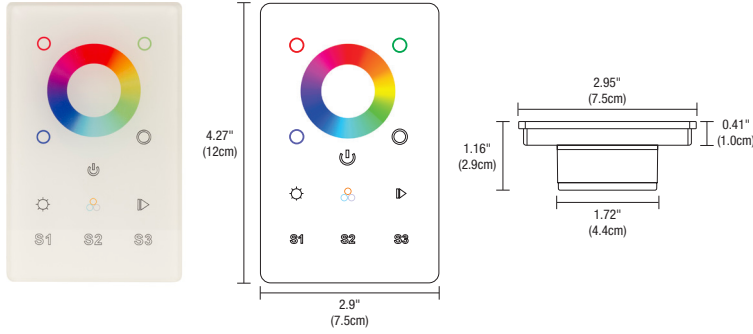


INDOOR DMX REMOTE POWER SUPPLIES

24VDC 1-ZONE DIMMER WITH DYNAMIC COLOR CHANGING DMX 512 PROTOCOL RGB AND RGBW



Description:

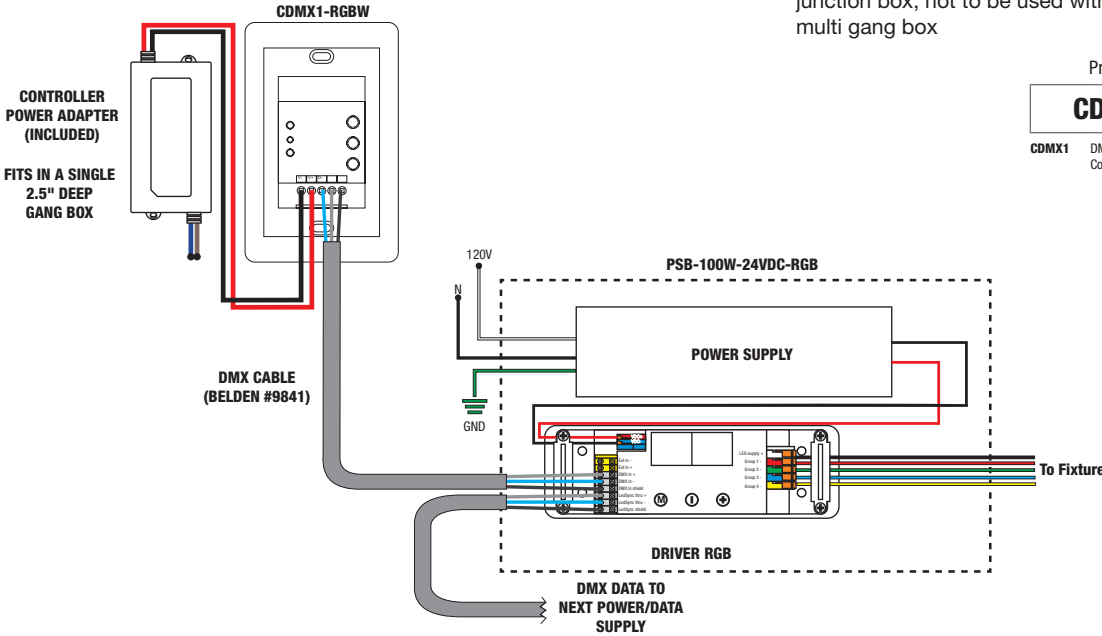
Full touch controller offers fast and accurate color tone adjustment and independent brightness control. The 1 zone controller can adjust RGB and RGBW LEDs smoothly and accurately. Independent smooth dimming of each channel enables the controller to achieve millions of colors. For indoor applications only, and includes a Power Adapter to operate the controller.

Applications:
Indoor

Power Input:
120-277VAC

Installation:
Fits in a single gang 2.5 inch deep junction box, not to be used with a multi gang box

Output Signal:
USITT DMX 512 (1990)

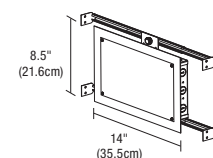


Product	Type	Finish
CDMX1	RGBW	WH
CDMX1 DMX 1 Zone Touch Controller	RGBW RGB & RGBW	WH White

DYNAMIC COLOR CHANGING (DMX) POWER SUPPLIES & RECOMMENDED CONTROLLERS

ORDERING CODE	PSB-100W-24VDC-RGB	PSB-2X100W-24VDC-RGB	PSB-3X100W-24VDC-RGB	PSB-4X100W-24VDC-RGB
SPECIFICATIONS				
MAXIMUM LOAD	100W	2X100W	3X100W	4X100W
INPUT VOLTAGE	120-277VAC	120-277VAC	120-277VAC	120-277VAC
OUTPUT VOLTAGE	24VDC	24VDC	24VDC	24VDC
DIMENSIONS	12.14" X 6.48" X 2.18"	14" X 10" X 3"	17" X 13" X 3"	17" X 13" X 3"
CLASSIFICATION	CLASS 2	CLASS 2	CLASS 2	CLASS 2
IN-WALL MOUNTING	PSB-100W-24VDC-RGB-IW	N/A	N/A	N/A
DIMMING & CONTROLS				
TOUCH SCREEN CONTROLLER (CTP)	•	•	•	•
COLOR DIAL CONTROLLER (CDP)	•	•	•	•
DMX 1 ZONE RGBW TOUCH CONTROLLER (CDMX1-RGBW)	•	•	•	•

Classification: UL2108 - * 24VDC over 100 Watts, wires must be in conduit from Remote Power Supply to J-box.



8.5" X 14" IN-WALL MOUNTING KIT

Includes Power Supply, Box Cover, and Stud Hangers for installing Junction Box in wall. Select "IW" in the options section of compatible Power Supply ordering codes if an In-Wall Mounting Kit is needed.

ORDERING CODES: PSB-100W-24VDC-RGB-IW

PROJECT	FIXTURE TYPE	DATE
---------	--------------	------