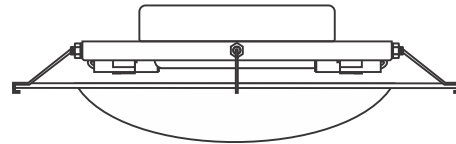


## Installation Instructions for Vanilla Sky Round 14 (Compact Fluorescent Version)

### IMPORTANT INFORMATION

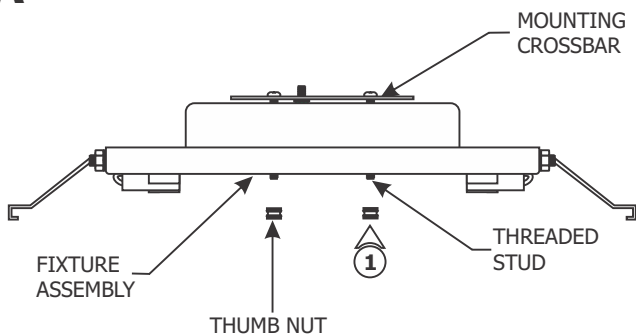
- This product is ETL listed for indoor dry locations.
- This product is ceiling mounted only.
- This product can mount to either a 4" square electrical box with round plaster ring or an octagon electrical box.

**SAVE THESE INSTRUCTIONS!**



## Install the Fixture

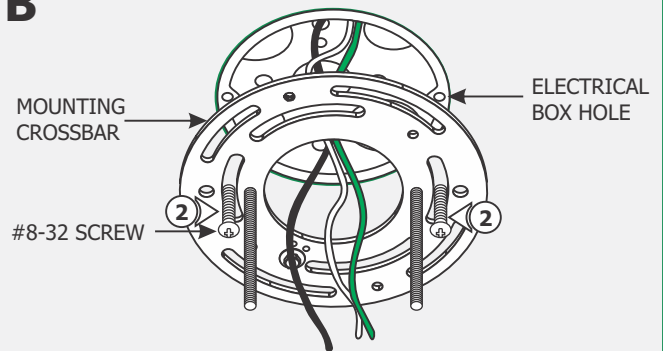
**A**



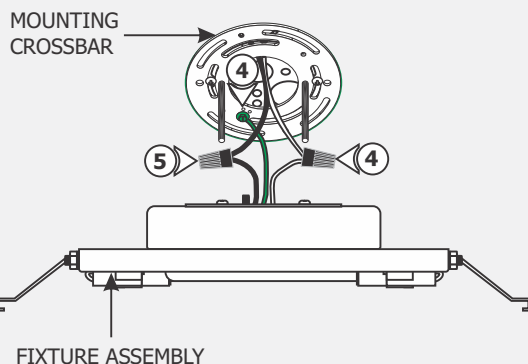
- 1:** Remove the two thumb nuts from the threaded studs and detach the mounting crossbar from the fixture assembly.

- 2:** Mount the mounting crossbar to the electrical box holes with the two provided #8-32 screws

**B**



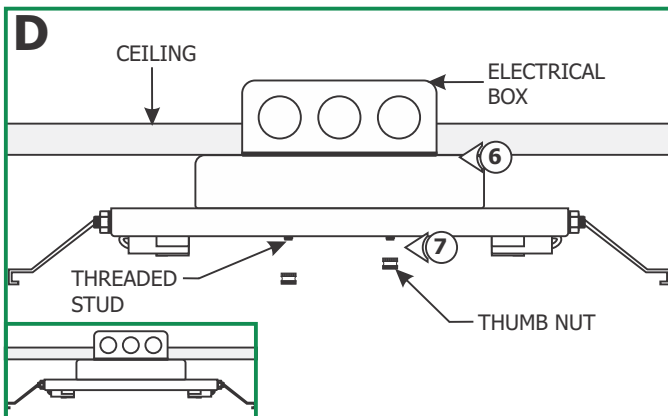
**C**



- 3:** Make sure that the mounting crossbar is grounded in accordance with local electrical codes.

- 4:** Connect the white fixture wire to the neutral power wire with a wire nut.

- 5:** Connect the black fixture wire to the hot power wire with a wire nut.



**6:** Place all wires and wire nuts connections inside electrical box.

**7:** Align and push the canopy holes onto threaded studs and tighten the thumb nuts completely to secure the canopy in place.

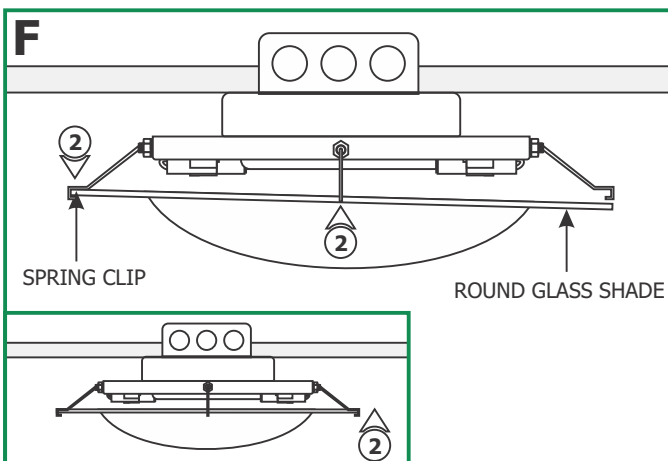
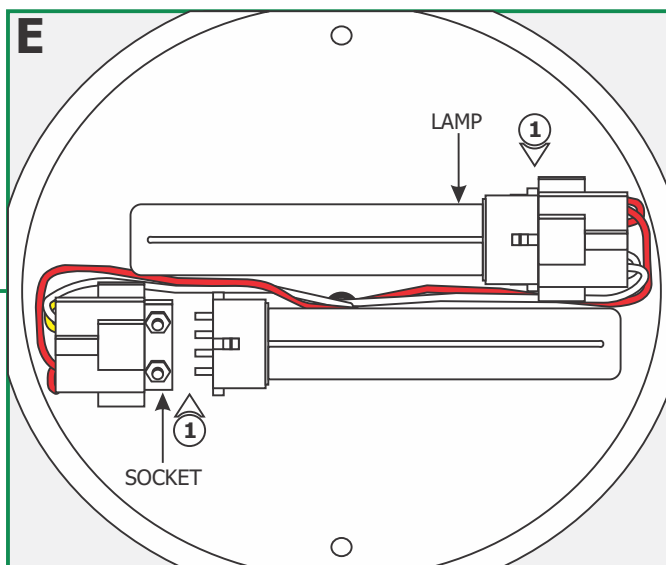
## Install the Lamp & Glass Shade

**CAUTION:** To reduce risk of a burn or electrical shock during lamping, disconnect the power to the fixture.

Use **MAX 9** Watt Type 2G7 Base Compact Fluorescent Lamp For Each Socket.

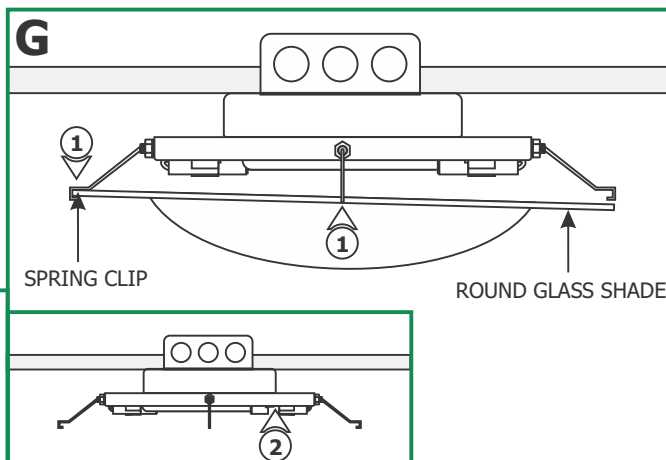


**1:** Push the lamp pins completely into the socket holes.



**2:** Place the edge of the round glass shade into two adjacent spring clips. Slightly push the glass shade against these two spring clips and simultaneously slide the other edge into the other two spring clips. **Make sure that the round glass shade sits properly into the four spring clips.**

## Replace the Lamp



**1:** While holding the glass shade unhook one spring clip at a time until the glass shade is free.

**2:** Remove the old lamp and then follow "Install the Lamp & Glass Shade" steps to complete lamp replacement.