



1718 W. Fullerton Chicago, IL 60614
 Ph: 773.770.1195 • Fax: 773.935.5613
 www.PureEdgeLighting.com • info@PureEdgeLighting.com
 © 2016 PureEdge Lighting. All Rights Reserved.

Installation Instructions for Vanishing Point 12 Volt Monopoint Pendant and Suspension Fast Jack Connection

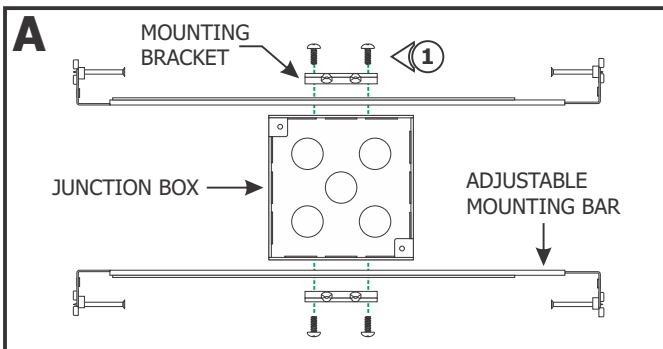
V_-FJ12S_-

IMPORTANT INFORMATION

- This instruction shows a typical installation.
- This product is ceiling mount.

SAVE THESE INSTRUCTIONS!

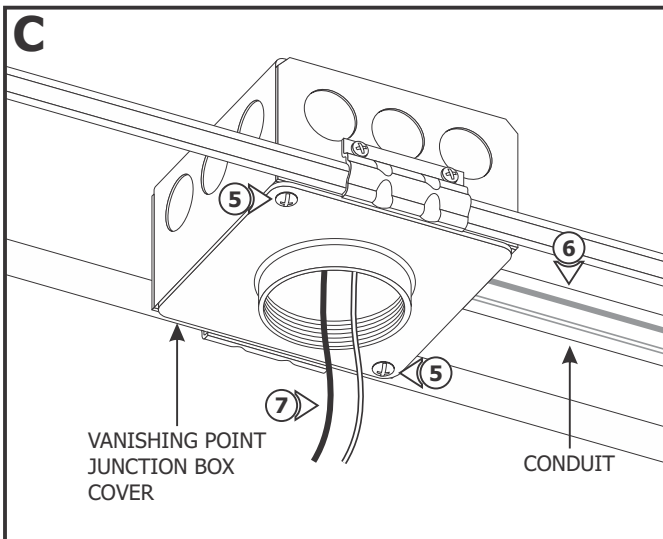
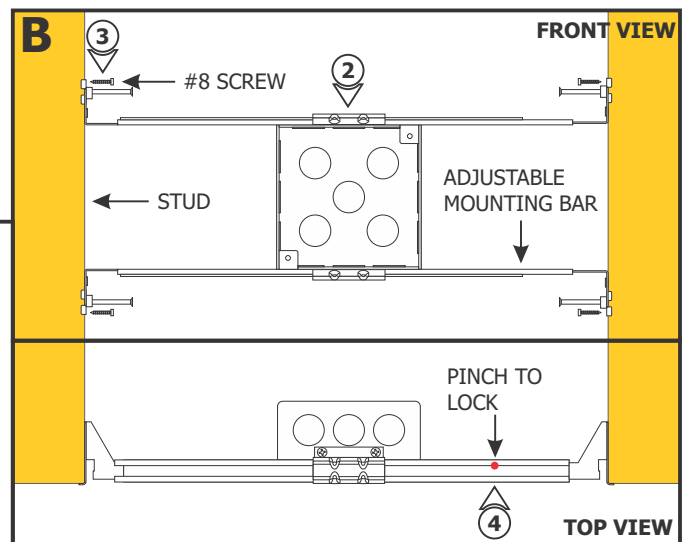
Section One: Install the Junction Box



- 1:** Mount each adjustable mounting bar to one side of the junction box and secure them with the mounting brackets and two Phillips screws provided.

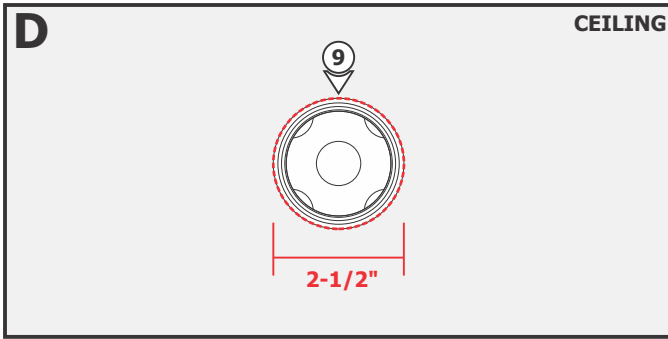
NOTE: Adjustable mounting bars mount to studs that are spaced 14.5" to 25" apart.

- 2:** Select the location between the two studs for the junction box to be mounted.
- 3:** Place the adjustable mounting bar tabs between the studs. Secure the adjustable bars to the studs with the #8 screws.
- 4:** Pinch anywhere on the inner edge of the mounting bars to lock in place.



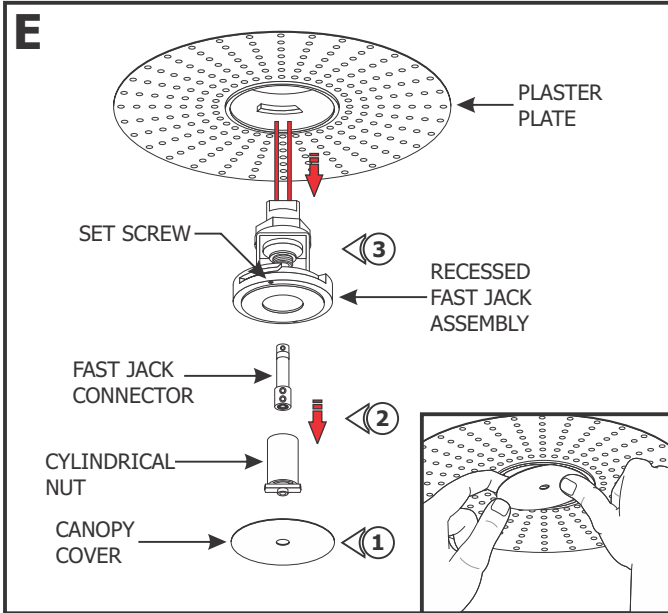
- 5:** Install the Vanishing Point junction box cover to the junction box using two #8-32 screws.
- 6:** Remove a knockout to install a conduit into the junction box. Install conduit(s) (if required by local electrical code).
- 7:** Run the line voltage wires to the junction box.
- 8:** If using remote power supply, then run the low-voltage 12V wires coming from the remote power supply to the junction box.

NOTE: Ensure remote power supply wires are present in the junction box. Refer to instructions provided with the power supply.



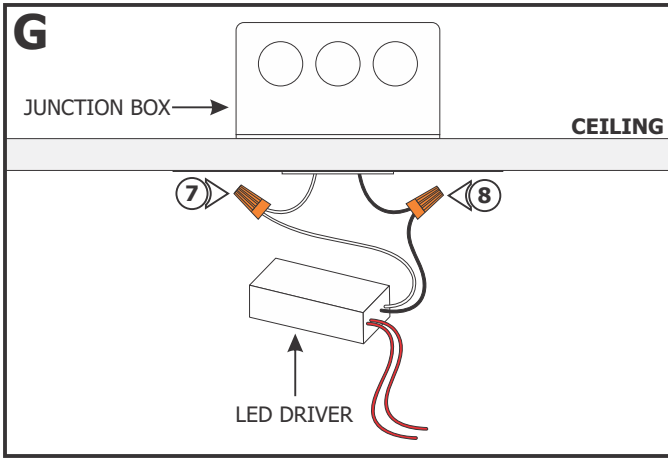
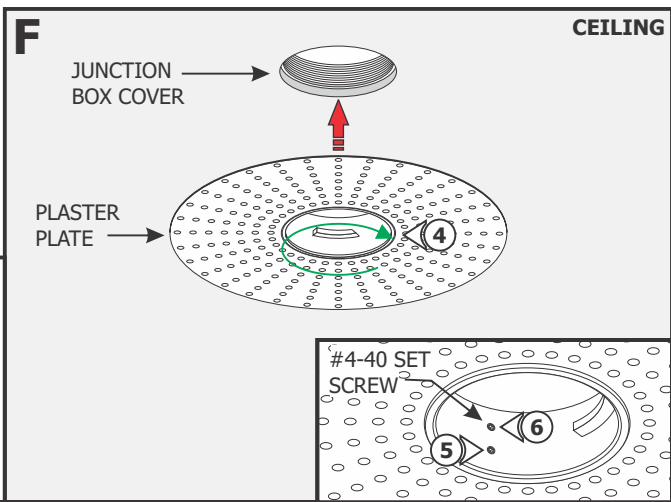
- 9:** Use a 2-1/2" hole saw to cut out the drywall section where the junction box opening is located.
- 10:** Install the drywall. If necessary, plaster and finish the drywall.

Section Two: Install the Plaster Plate

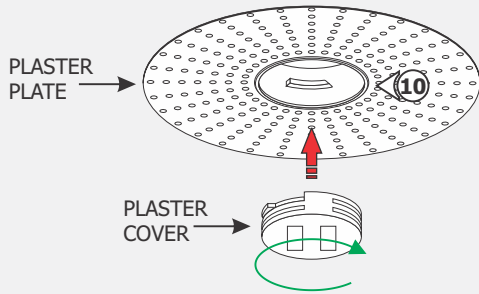


- 1:** Use fingers to push on the perimeter of the canopy cover until it slightly rocks and lift the cover to remove it from the assembly.
- 2:** Rotate the cylindrical nut counter clockwise to remove the nut and Fast Jack connector from the Recessed Fast Jack Assembly.
- 3:** Loosen (**Do Not Remove**) the #4-40 set screws on the Recessed Fast Jack assembly using a 0.05" Allen wrench and rotate counter clockwise to remove from the Plaster Plate.

- 4:** Screw the plaster plate clockwise into the junction box cover, ensuring the plate is tight.
- 5:** If the drywall is 5/8" thick, tighten the bottom #4-40 set screw inside the plaster plate using a 0.05" Allen wrench.
- 6:** If the drywall is 3/4" and thicker, tighten the top #4-40 set screw inside the plaster plate using a 0.05" Allen wrench.



- NOTE:** Steps 7 through 9 are for the 12V power supply included inside the junction box. Omit these steps if using remote power supply.
- NOTE:** Make sure the junction box is grounded in accordance to local electrical codes.
- 7:** Connect the white LED driver wire to the neutral power wire with a wire nut.
- 8:** Connect the black LED driver wire to the hot power wire with a wire nut.
- 9:** Place the LED driver and wire nut connections inside the junction box.

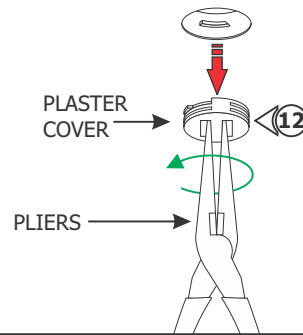
H**CEILING****10:** Rotate the plaster cover clockwise into the plaster plate.**11:** Plaster, sand and paint the surface.

NOTE: For areas with lots of vibration, it is suggested to use Durabond to avoid cracking of plaster.

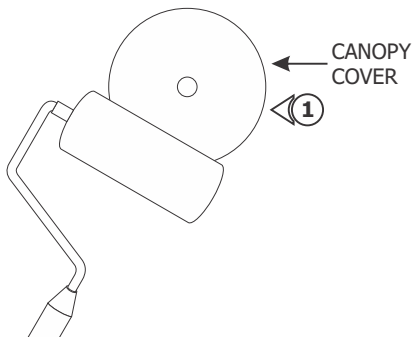
NOTE: **Do Not use premixed joint compound "Soft Mud."**
No use compuesto para juntas premezclado "Soft Mud."

NOTE: Recommended plaster method: 1st Coat - Durabond 45 with 8" Blade, 2nd Coat - Easy Sand 45 with 10" Blade, 3rd Coat with 12" Blade

12: Use pliers to rotate the plaster cover counter clockwise and remove it. Clean the hole.

I

Section Three: Install the Fixture

J

NOTE: Omit step 1 if plastering the canopy cover.

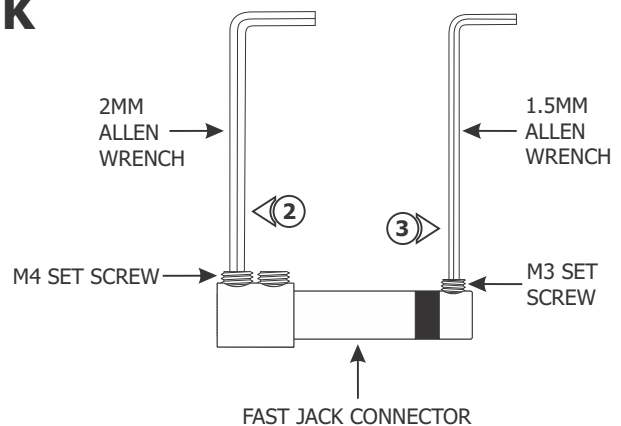
1: Optional: For a slight outline of the canopy, prime and paint the canopy cover on the ground or table. Ensure paint is dry before continuing.

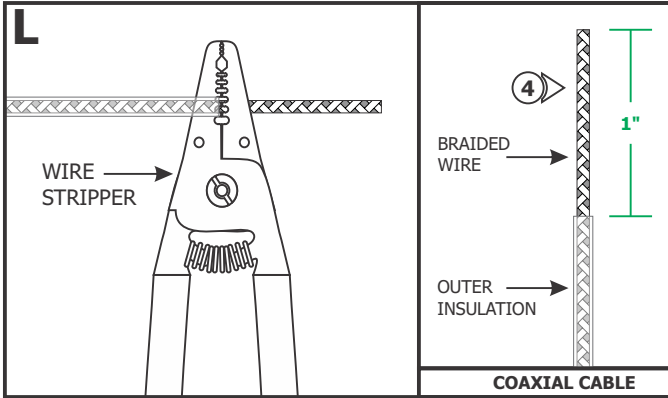


NOTE: Scan the QR Code to watch the video clip of the following steps or visit https://www.PureEdgeLighting.com/video_feed/installation_fast_jack_connector

2: Loosen the two M4 set screws on the base of the Fast Jack connector with the 2mm Allen wrench provided. **Do not remove these set screws.**

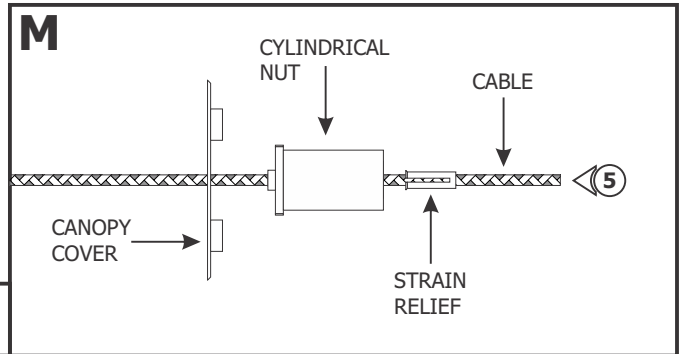
3: Remove the M3 set screw on tip of the connector with the 1.5mm Allen wrench provided.

K

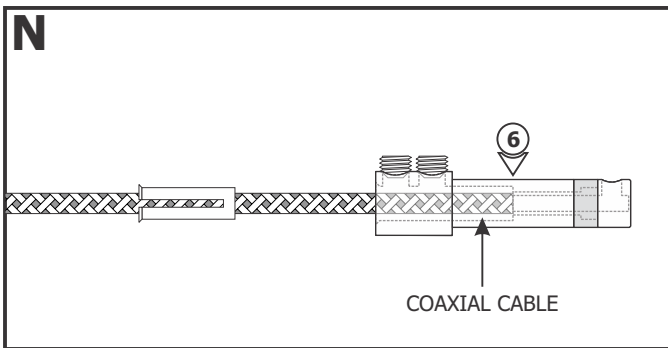


NOTE: Cable thickness should not exceed maximum 0.135".

4: (OPTIONAL) For coaxial cables with insulation, use the #12 gauge hole of AWG wire strippers to strip 1" of the plastic insulation from the end so that the bare coaxial cable is exposed.



5: Feed the coaxial cable through the canopy cover, cylindrical nut and flared side of the strain relief tube.

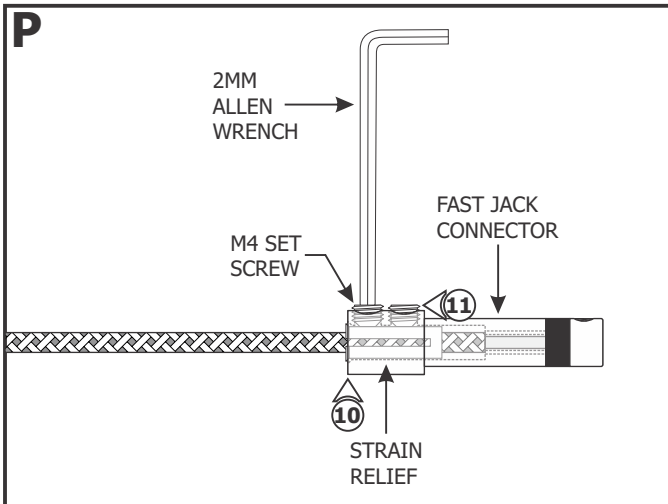
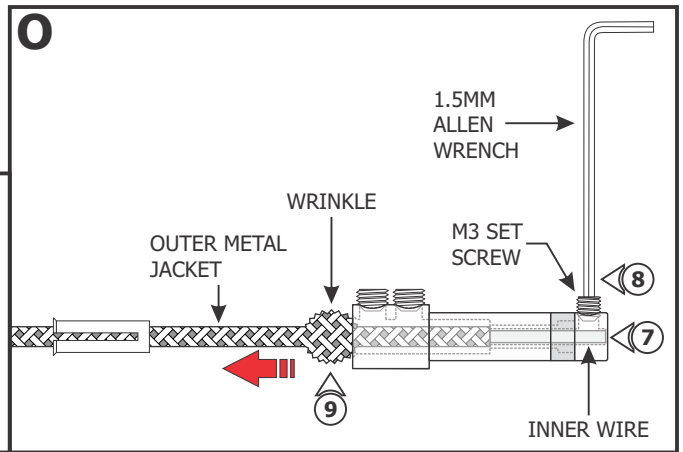


6: Feed the coaxial cable into the Fast Jack connector. The coaxial cable will come to a stop point.

7: Keep feeding the coaxial cable in until the inner wire is visible in the screw hole of the Fast Jack connector tip. The outer metal jacket will start to wrinkle.

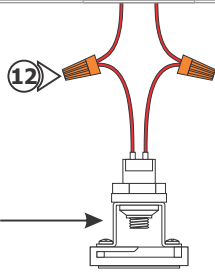
8: Hold the Fast Jack connector in place. Replace and tighten the M3 set screw on Fast Jack connector tip with the 1.5mm Allen wrench.

9: Pull down the outer metal jacket to smooth the wrinkles.



10: Push the strain relief tube completely into the Fast Jack connector. Make sure the slot on the strain relief tube is not inline with the M4 set screws.

11: Tighten the M4 set screws using the 2mm Allen wrench.

Q

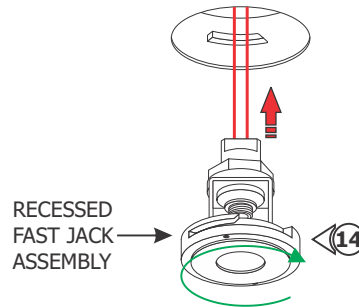
RECESSED
FAST JACK
ASSEMBLY

12: Connect each transformer wire to one wire of the Recessed Fast Jack assembly using a wire nut.

13: Place all wire nut connections inside the junction box.

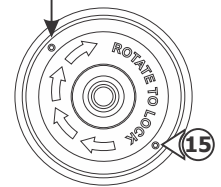
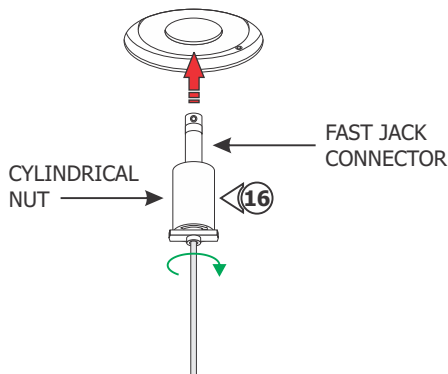
14: Insert the Recessed Fast Jack assembly into the opening and rotate clockwise to lock in place.

15: Tighten the #4-40 set screws using a 0.05" Allen wrench to secure in place.

R

RECESSED
FAST JACK
ASSEMBLY

#4-40 SET SCREW

**S**

CYLINDRICAL
NUT

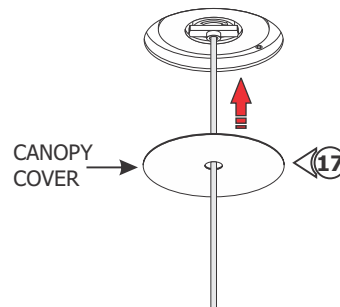
FAST JACK
CONNECTOR

16: Place the cylindrical nut over the Fast Jack Connector.

Use fingers to tighten the cylindrical nut with the Fast Jack connector into the Recessed Fast Jack assembly.

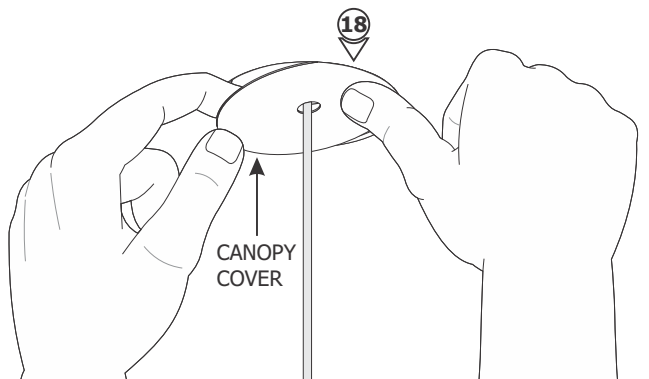
NOTE: Test the fixture.

17: Place the canopy cover over the assembly. The magnets on the back will keep the canopy cover in place.

T

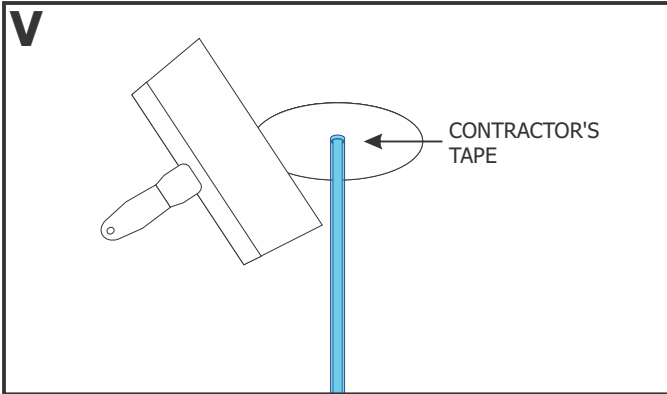
CANOPY
COVER

MAGNET

**U**

CANOPY
COVER

18: If necessary, use fingers to push on the perimeter of the canopy cover until it slightly rocks and lift the cover to remove it from the assembly.



NOTE: Step 19 is recommended for remote power supply only.

19: For no outline of the canopy, cover the hole and fixture cable with contractor's tape. Plaster, sand and paint over the canopy cover and surface.

NOTE: If using metal tools to apply plaster, be careful not to remove the magnetic canopy cover while plastering.

General Wiring for Remote Power

