



1718 W. Fullerton Chicago, IL 60614
 Ph: 773.770.1195 • Fax: 773.935.5613
 www.PureEdgeLighting.com • info@PureEdgeLighting.com
 © 2016 PureEdge Lighting. All Rights Reserved.

Installation Instructions for **Vanishing Point 120 VAC Pendant Connection**

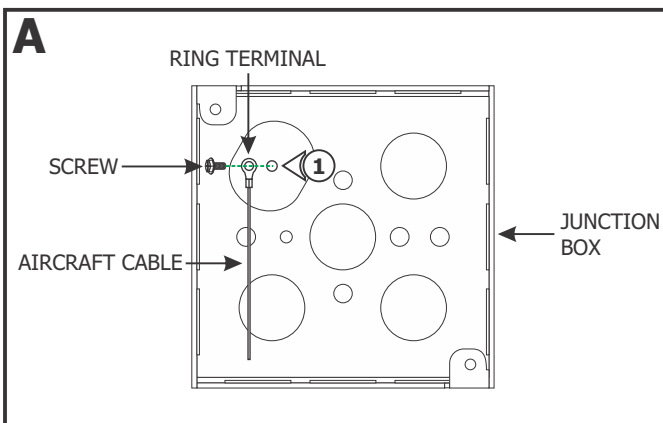
V_-C120_-

IMPORTANT INFORMATION

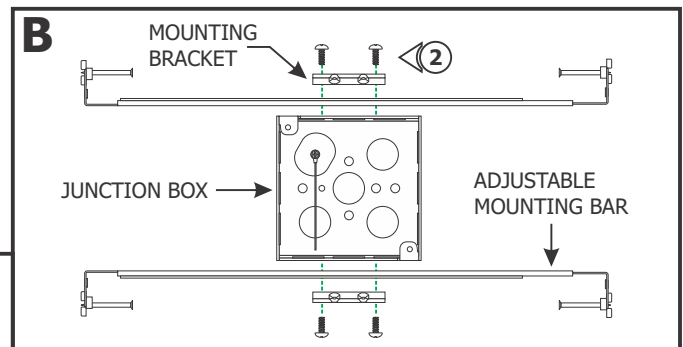
- This instruction shows a typical installation.
- This product is ceiling mount.

SAVE THESE INSTRUCTIONS!

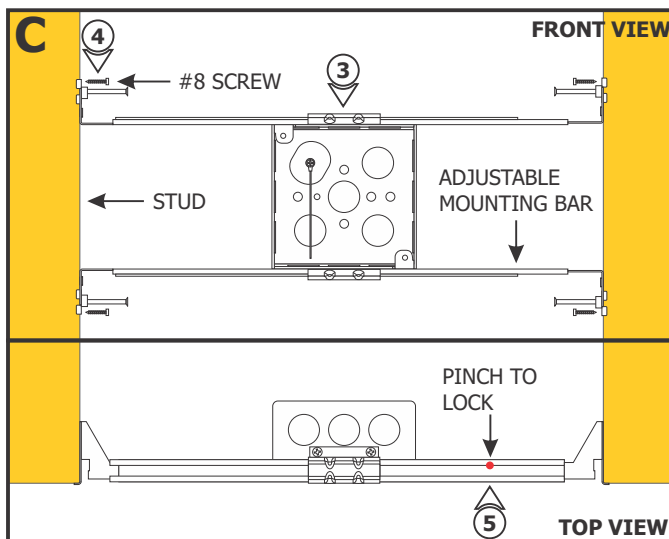
Section One: Install the Junction Box



1: Attach the ring terminal with aircraft cable to the junction box using the screw provided.

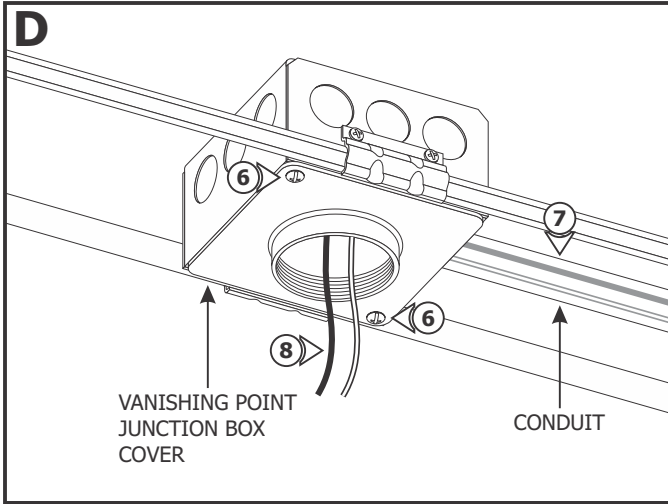


2: Mount each adjustable mounting bar to one side of the junction box and secure them with the mounting brackets and two Phillips screws provided.



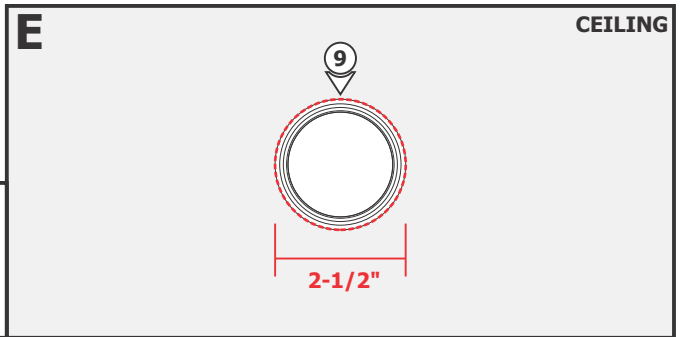
NOTE: Adjustable mounting bars mount to studs that are spaced 14.5" to 25" apart.

- 3:** Select the location between the two studs for the junction box to be mounted.
- 4:** Place the adjustable mounting bar tabs between the studs. Secure the adjustable bars to the studs with the #8 screws.
- 5:** Pinch anywhere on the inner edge of the mounting bars to lock in place.

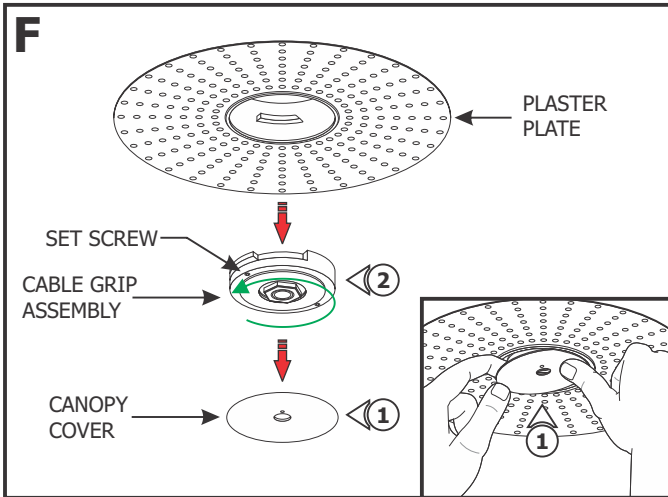


- 6:** Install the Vanishing Point junction box cover to the junction box using two #8-32 screws.
- 7:** Remove a knockout to install a conduit into the junction box. Install conduit(s) (if required by local electrical code).
- 8:** Run the 120VAC power wires to the junction box.

- 9:** Use a 2-1/2" hole saw to cut out the drywall section where the junction box opening is located.
- 10:** Install the drywall. If necessary, plaster and finish the drywall.

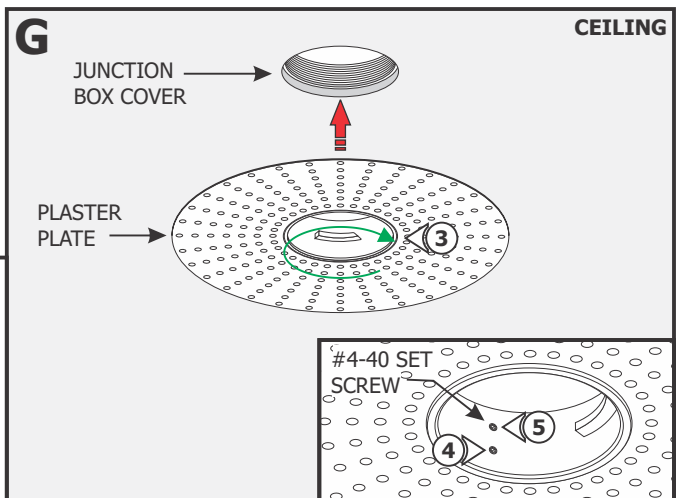


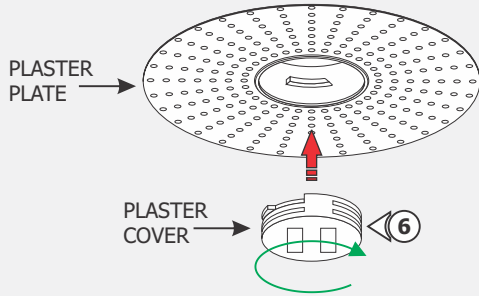
Section Two: Install the Fixture



- 1:** Use fingers to push on the perimeter of the canopy cover until it slightly rocks and lift the cover to remove it from the assembly.
- 2:** Loosen (**Do Not Remove**) the #4-40 set screws on the Cable Grip Assembly using a 0.05" Allen wrench and rotate the Cable Grip Assembly counter clockwise to remove from the Plaster Plate.

- 3:** Screw the plaster plate clockwise into the junction box cover, ensuring the plate is tight.
- 4:** If the drywall is 5/8" thick, tighten the bottom #4-40 set screw inside the plaster plate using a 0.05" Allen wrench.
- 5:** If the drywall is 3/4" and thicker, tighten the top #4-40 set screw inside the plaster plate using a 0.05" Allen wrench.

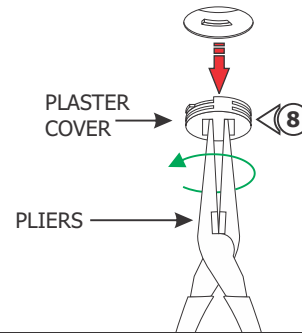
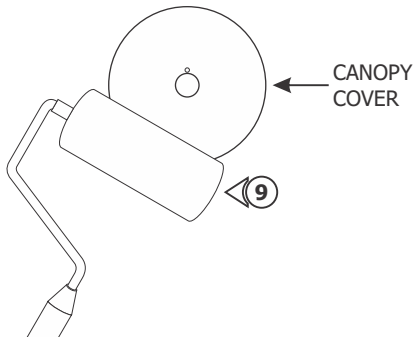


H**CEILING****6:** Rotate the plaster cover clockwise into the plaster plate.**7:** Plaster, sand and paint the surface.

NOTE: For areas with lots of vibration, it is suggested to use Durabond to avoid cracking of plaster.

NOTE: **Do Not use premixed joint compound "Soft Mud."**
No use compuesto para juntas premezclado "Soft Mud."

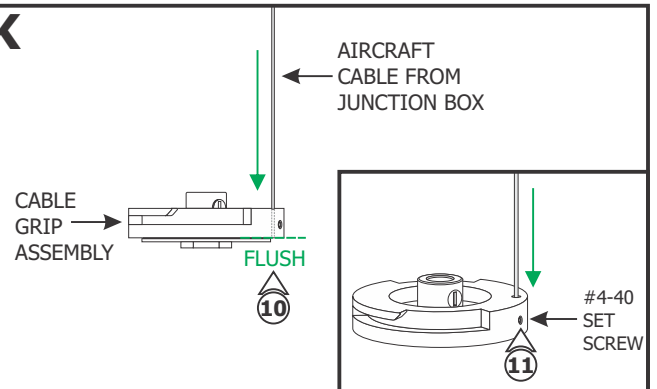
NOTE: Recommended plaster method: 1st Coat - Durabond 45 with 8" Blade, 2nd Coat - Easy Sand 45 with 10" Blade, 3rd Coat with 12" Blade

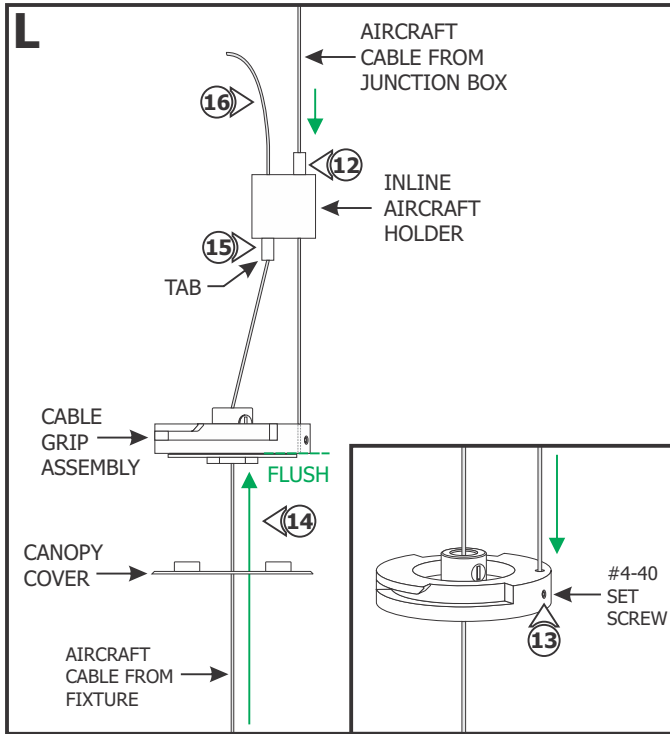
I**8:** Use pliers to rotate the plaster cover counter clockwise and remove it. Clean the hole.**J**

NOTE: Omit step 9 if plastering the canopy cover.

9: Optional: For a slight outline of the canopy, prime and paint the canopy cover on the ground or table. Ensure paint is dry before continuing.

NOTE: Omit steps 10 and 11 if the fixture comes with aircraft cable.

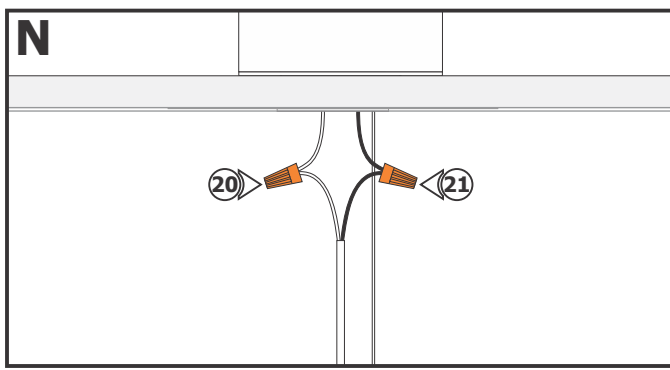
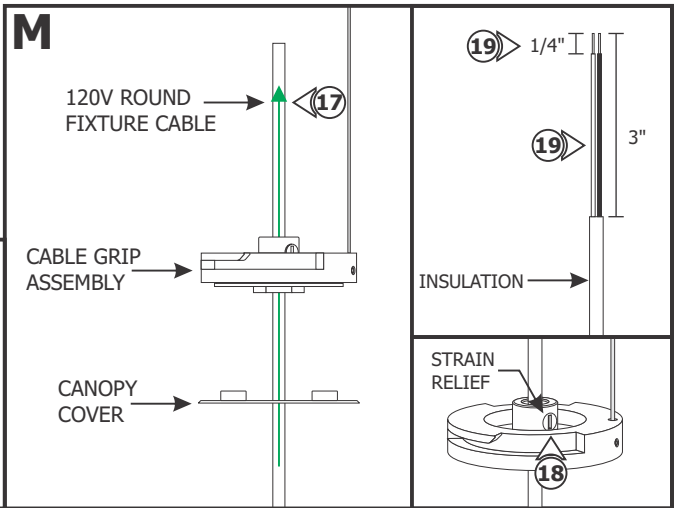
10: Insert the end of the aircraft cable coming from the junction box into the hole on the Cable Grip Assembly, ensuring the cable is flush with the bottom.**11:** Tighten the #4-40 set screw on the side of the assembly using a 0.05" Allen wrench.**K**



NOTE: Omit steps 12 through 16 if the fixture does not come with aircraft cable.

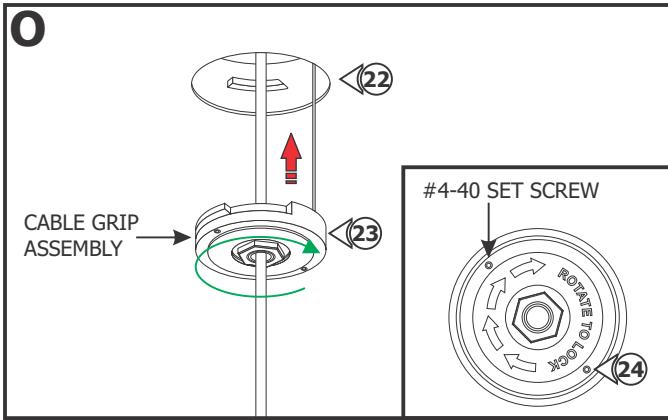
- 12:** Feed the aircraft cable coming from the junction box through the Inline Aircraft Holder tab.
- 13:** Insert the end of the junction box aircraft cable into the hole on the Cable Grip Assembly, ensuring the cable is flush with the bottom, and tighten the #4-40 set screw on the side of the assembly using a 0.05" Allen wrench.
- 14:** Feed the fixture aircraft cable through the small hole on the canopy cover and through the Cable Grip Assembly and other Inline Aircraft Holder tab.
- 15:** Adjust the fixture height by pressing and holding the tab and sliding the cable up and down. Release the tab to lock the aircraft cable in place.
- 16:** If necessary, trim excess aircraft cable using sharp cutters.

- 17:** Feed the 120V round fixture cable (max. 1/4" thick) through the canopy cover and Cable Grip Assembly.
- 18:** Adjust the fixture height and tighten the strain relief on the Cable Grip Assembly using a flat head screw driver.
- 19:** Leave at least 6" of cable behind the strain relief. Strip 3" of the cable insulation with a sharp knife. Make sure not to nick the wires. Strip 1/4" of the wires.



NOTE: Ensure the fixture is grounded in accordance with local electrical codes.

- 20:** Connect the 120V neutral power wire to the neutral fixture wire using a wire nut.
- 21:** Connect the 120V hot power wire to the hot fixture wire using a wire nut.

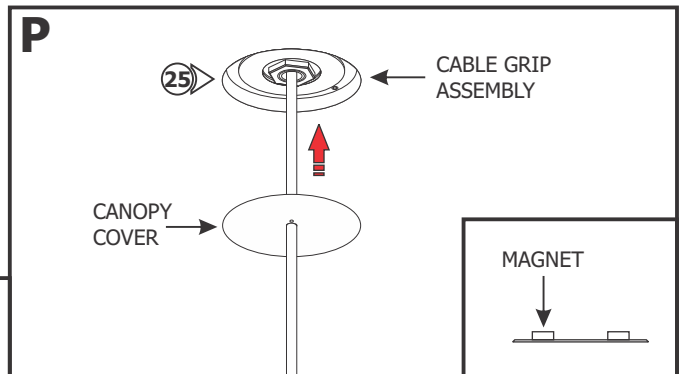


22: Place all wire nut connections, and Inline Aircraft Holder, inside the junction box.

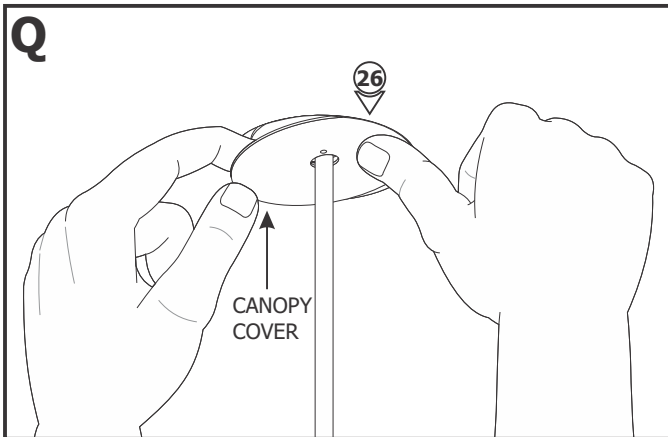
23: Insert the Cable Grip Assembly into the opening and rotate clockwise to lock in place.

24: Tighten the #4-40 set screws using a 0.05" Allen wrench to secure in place.

NOTE: Test the fixture.



25: Place the canopy cover over the Cable Grip Assembly. The magnets on the back will keep the canopy cover in place.



26: If necessary, use fingers to push on the perimeter of the canopy cover until it slightly rocks and lift the cover to remove it from the assembly.

NOTE: If using metal tools to apply plaster, be careful not to remove the magnetic canopy cover while plastering.

27: Optional: For no outline of the canopy, cover the fixture cable with contractor's tape. Plaster, sand and paint over the canopy cover and surface.

