



1718 W. Fullerton Chicago, IL 60614
 Ph: 773.770.1195 • Fax: 773.935.5613
 www.PureEdgeLighting.com • info@PureEdgeLighting.com
 © 2016 PureEdge Lighting. All Rights Reserved.

Installation Instructions for **Vanishing Point Cable Grip, No Power**

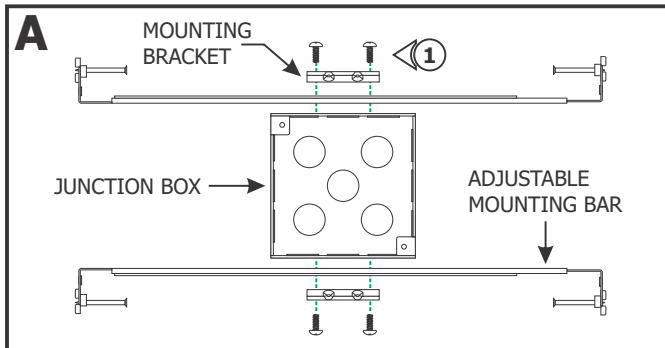
V-CG-__

IMPORTANT INFORMATION

- This instruction shows a typical installation.
- This product is ceiling mount.

SAVE THESE INSTRUCTIONS!

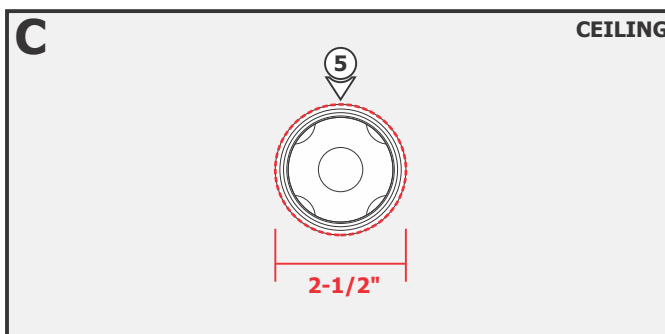
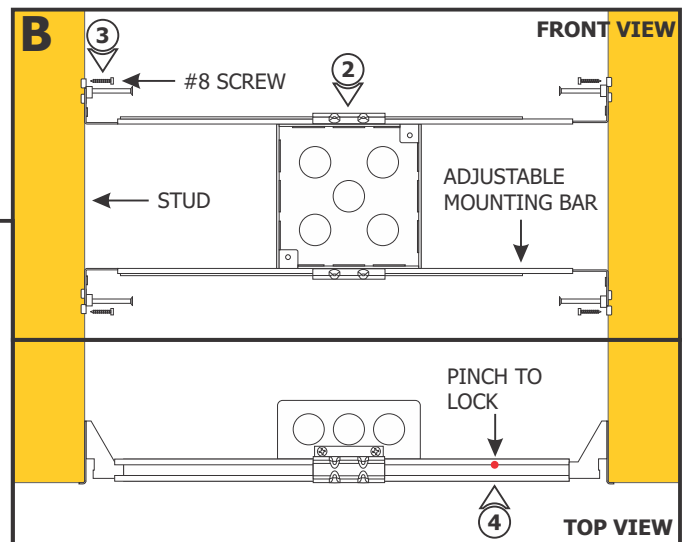
Section One: Install the Junction Box



- 1:** Mount each adjustable mounting bar to one side of the junction box and secure them with the mounting brackets and two Phillips screws provided.

NOTE: Adjustable mounting bars mount to studs that are spaced 14.5" to 25" apart.

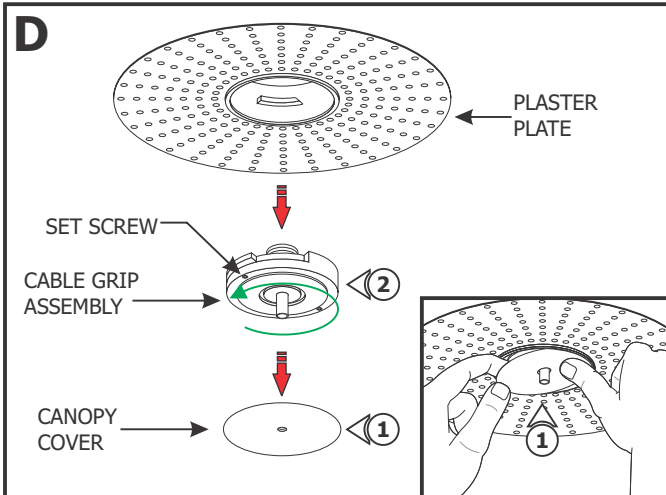
- 2:** Select the location between the two studs for the junction box to be mounted.
- 3:** Place the adjustable mounting bar tabs between the studs. Secure the adjustable bars to the studs with the #8 screws.
- 4:** Pinch anywhere on the inner edge of the mounting bars to lock in place.



CEILING

- 5:** Use a 2-1/2" hole saw to cut out the drywall section where the junction box opening is located.
- 6:** Install the drywall. If necessary, plaster and finish the drywall.

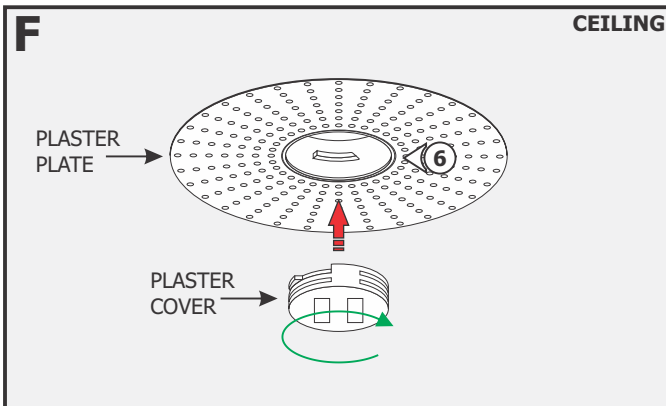
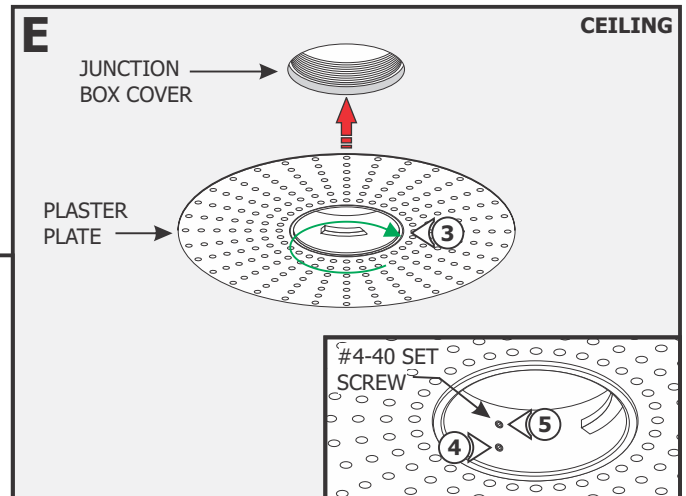
Section Two: Install the Plaster Plate



1: Use fingers to push on the perimeter of the canopy cover until it slightly rocks and lift the cover to remove it from the assembly.

2: Loosen (**Do Not Remove**) the #4-40 set screws on the Cable Grip assembly using a 0.05" Allen wrench and rotate the Cable Grip assembly counter clockwise to remove from the Plaster Plate.

- 3:** Screw the plaster plate clockwise into the junction box cover, ensuring the plate is tight.
- 4:** If the drywall is 5/8" thick, tighten the bottom #4-40 set screw inside the plaster plate using a 0.05" Allen wrench.
- 5:** If the drywall is 3/4" and thicker, tighten the top #4-40 set screw inside the plaster plate using a 0.05" Allen wrench.



6: Rotate the plaster cover clockwise into the plaster plate.

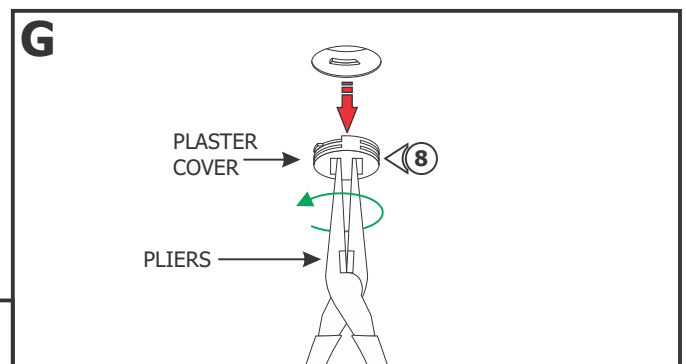
7: Plaster, sand and paint the surface.

NOTE: For areas with lots of vibration, it is suggested to use Durabond to avoid cracking of plaster.

NOTE: **Do Not use premixed joint compound "Soft Mud."**
No use compuesto para juntas premezclado "Soft Mud."

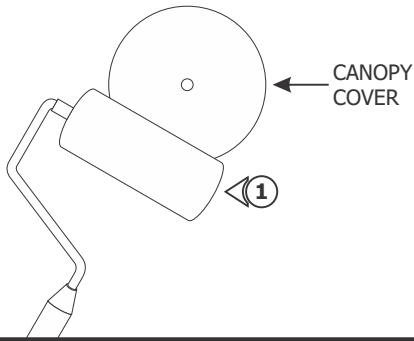
NOTE: Recommended plaster method: 1st Coat - Durabond 45 with 8" Blade, 2nd Coat - Easy Sand 45 with 10" Blade, 3rd Coat with 12" Blade

8: Use pliers to rotate the plaster cover counter clockwise and remove it. Clean the hole.



Section Three: Install the Fixture

H



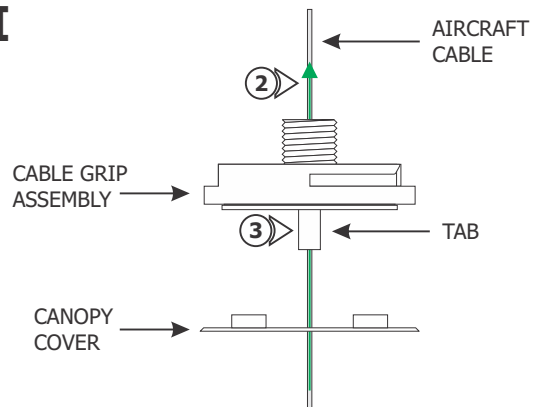
NOTE: Omit step 1 if plastering the canopy cover.

1: Optional: For a slight outline of the canopy, prime and paint the canopy cover on the ground or table. Ensure paint is dry before continuing.

2: Feed the aircraft cable through the canopy cover and push the aircraft cable through the Cable Grip assembly.

3: Adjust the fixture height by pushing the tab to slide the fixture up and down until the desired height is achieved. Release the tab to lock the cable in place.

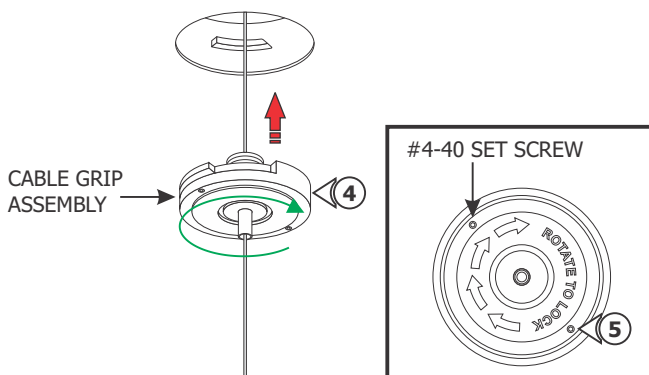
I



4: Insert the Cable Grip assembly into the opening and rotate clockwise to lock in place.

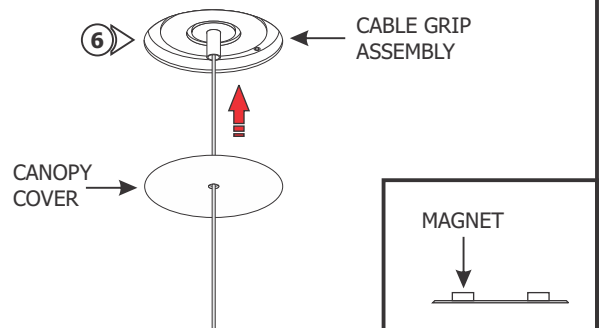
5: Tighten the #4-40 set screws using a 0.05" Allen wrench to secure in place.

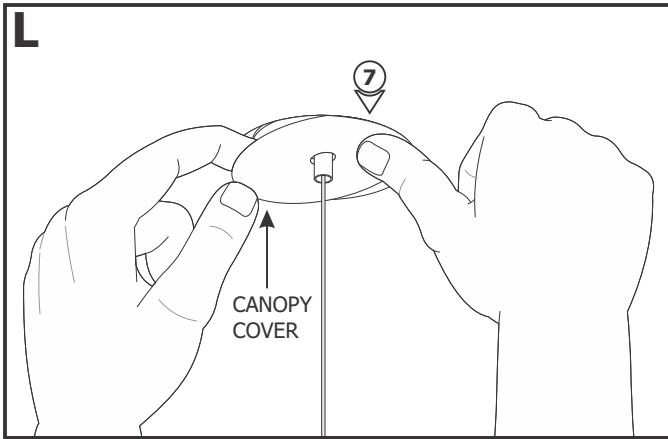
J



6: Place the canopy cover over the Cable Grip assembly. The magnets on the back will keep the canopy cover in place.

K





7: If necessary, use fingers to push on the perimeter of the canopy cover until it slightly rocks and lift the cover to remove it from the assembly.

NOTE: If using metal tools to apply plaster, be careful not to remove the magnetic canopy cover while plastering.

8: Optional: For no outline of the canopy, cover the grip jack tab with contractor's tape. Plaster, sand and paint over the canopy cover and surface.

