



1718 W. Fullerton Chicago, IL 60614
 Ph: 773.770.1195 • Fax: 773.935.5613
 www.PureEdgeLighting.com • info@PureEdgeLighting.com
 © 2016 PureEdge Lighting. All Rights Reserved.

Installation Instructions for **Universo Rectangle**

GENERAL INFORMATION

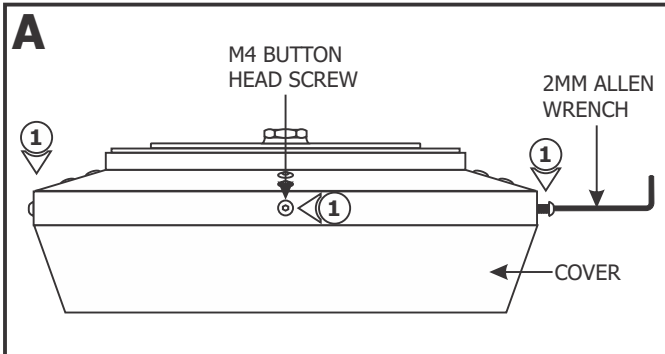
- **RISK OF FIRE:** This product must be installed by a qualified electrician. **Turn the power to the electrical box off during installation.** Read the "Important Safety Instructions" before installation.
- This product is suitable only for indoor dry locations and approved for the use at any height above the finished floor.
- This product contains a magnetic transformer with a built-in dimming coil.
- This product may be dimmed only with a low voltage magnetic dimmer. Using a dimmer other than specified may work initially, but will eventually cause transformer failure and void the warranty. The dimmer must be derated as indicated by the dimmer manufacturer.
- A typical installation is shown. Specific installation must be in accordance with the local electrical codes.

IMPORTANT SAFETY INSTRUCTIONS

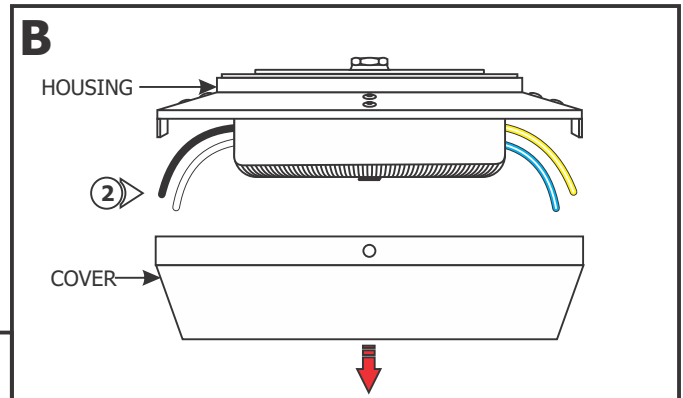
- Do not install the lighting system in a damp or wet location.
- Turn the electrical power off before modifying the lighting system in any way.

SAVE THESE INSTRUCTIONS!

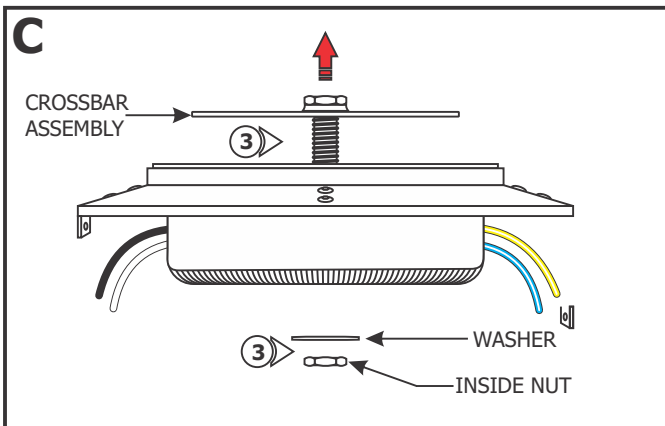
Install the Fixture



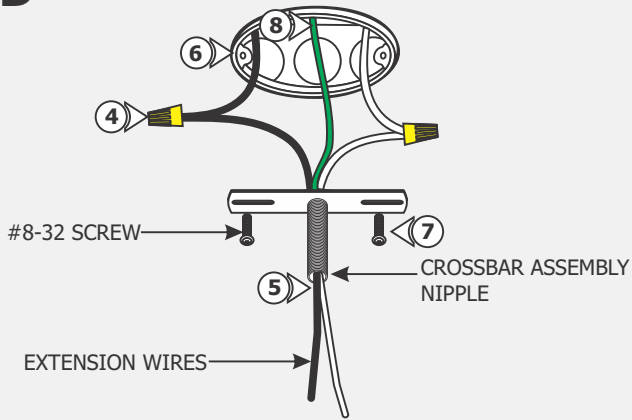
- 1:** Loosen and remove the five M4 button head screws around the transformer cover with the provided 2mm Allen wrench.



- 2:** Unhook the transformer cover from the set screw and remove it from the transformer housing.



- 3:** Remove the inside nut and washer to remove the crossbar assembly. **DO NOT DISASSEMBLE THE CROSSBAR ASSEMBLY.**

D

4: Connect the provided white and black extension wires to the neutral and hot power wires respectively with the wire nuts provided.

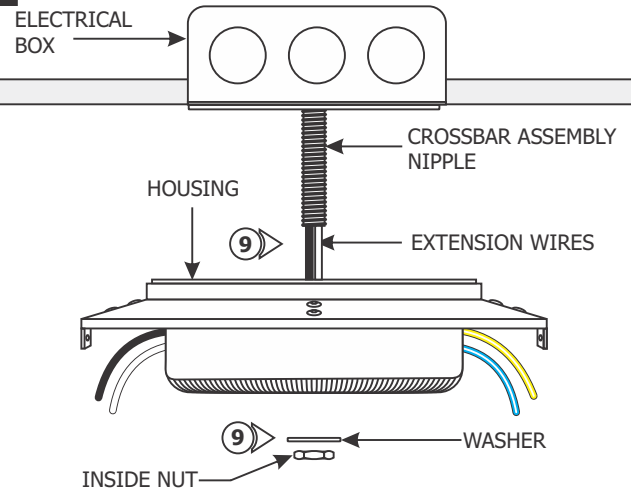
5: Feed the wires through the crossbar assembly nipple.

6: Place all wires and wire nut connections inside the electrical box.

7: Mount the crossbar assembly to the electrical box with the two provided #8-32 screws.

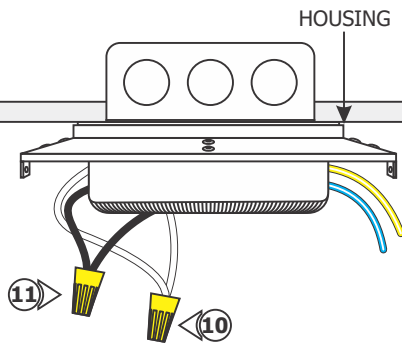
8: Make sure the crossbar assembly is grounded in accordance with local electrical codes.

9: Feed the extension wires through the transformer housing center hole. Slide the transformer housing onto the crossbar assembly nipple and secure it in place by tightening the washer and inside nut.

E

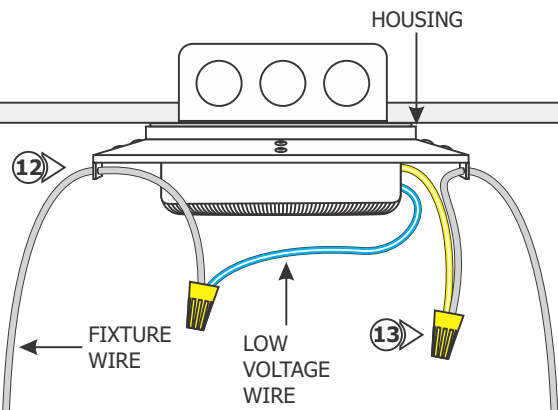
10: Connect the white extension wire to the white transformer wire with a wire nut.

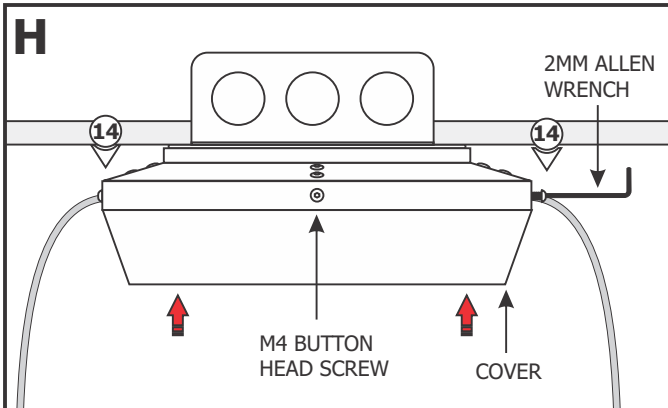
11: Connect the black extension wire to the black transformer wire with a wire nut.

F

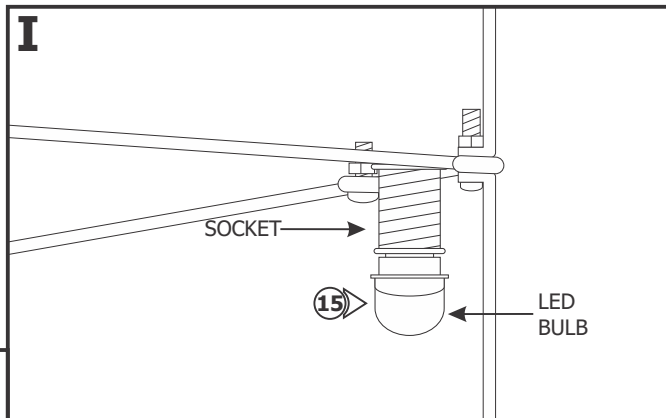
12: Feed each fixture wires through the side connectors.

13: Connect each fixture wire to one low voltage wire with wire nuts.

G



14: Replace the cover and tighten the five M4 button head screw around the transformer cover with the provided 2mm Allen wrench.



15: Install LED bulbs into each socket (MAX .5W 12VAC LED lamps).