



1718 W. Fullerton Chicago, IL 60614
 Ph: 773.770.1195 • Fax: 773.935.5613
 www.PureEdgeLighting.com • info@PureEdgeLighting.com
 © 2016 PureEdge Lighting. All Rights Reserved.

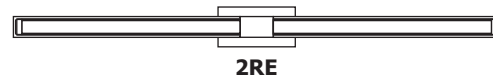
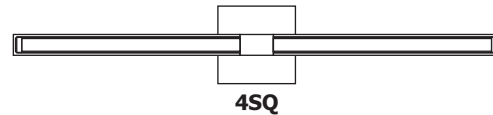
Installation Instructions for Tie Stix Wall 2-Light Tunable White with Remote Power

TXW2R-__-2K4K-__

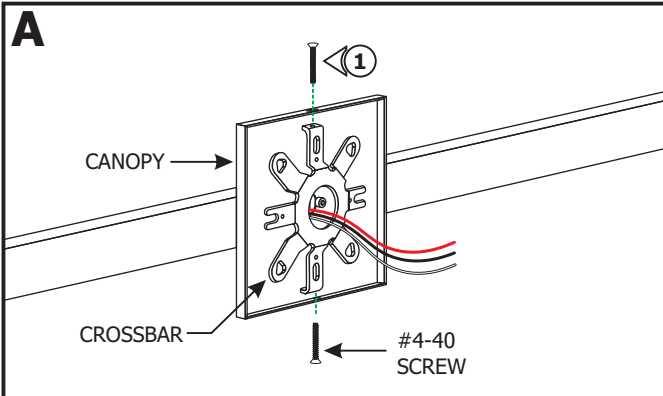
IMPORTANT INFORMATION

- This product is ETL listed.
- This instruction shows a typical installation.
- This product is wall mount only.
- The 4SQ version mounts to a standard junction box with plaster ring or octagon box.
- The 1RE version mounts to the provided Slim Profile Junction Box.
- The 2RE version mounts to a single gang box.

SAVE THESE INSTRUCTIONS!



Section One: 4SQ Version

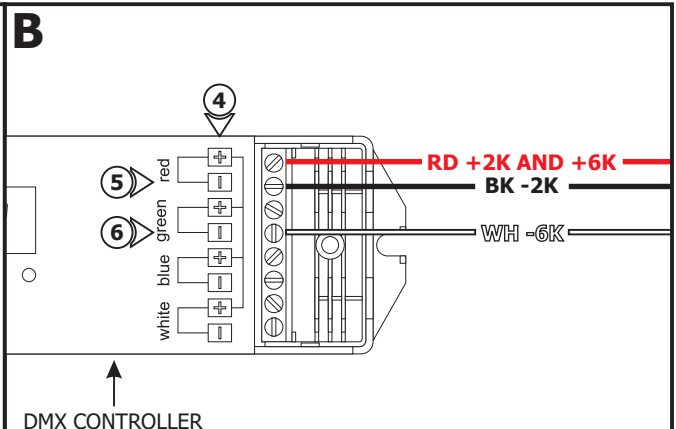


NOTE: Before beginning any electrical work, ensure that the power to the junction box is off.

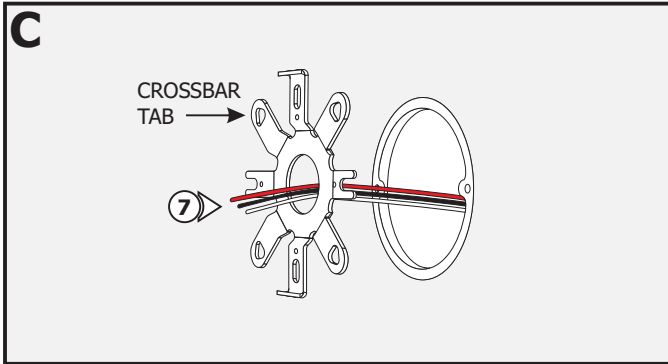
- 1:** Remove the two #4-40 screws from the canopy using a 1/16" Allen wrench to remove the crossbar.

NOTE: Omit steps 2 through 6 if using dimming module for two channel controls. Refer to wiring diagram on page 6.

- Use the "Low Voltage Wire Size Chart" on Page 2 to determine proper wire size connecting to the DMX controller terminals.
- Run the proper size red, black and white wires from the fixture to the power supply enclosure.
- Connect the red fixture wire to the red "+" DMX terminal and tighten the screw.
- Connect the black fixture wire to the red "-" DMX terminal and tighten the screw.
- Connect the white fixture wire to the green "-" DMX terminal and tighten the screw.

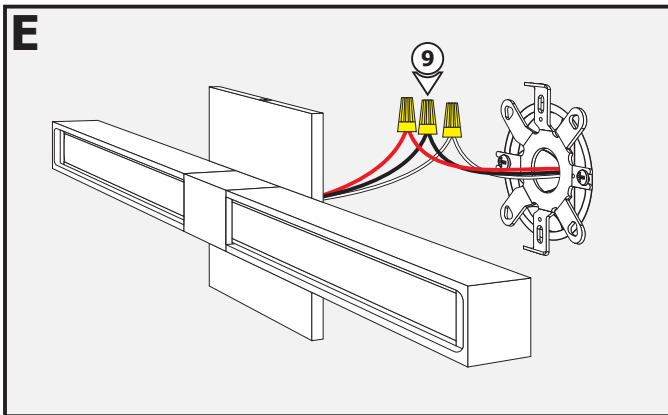
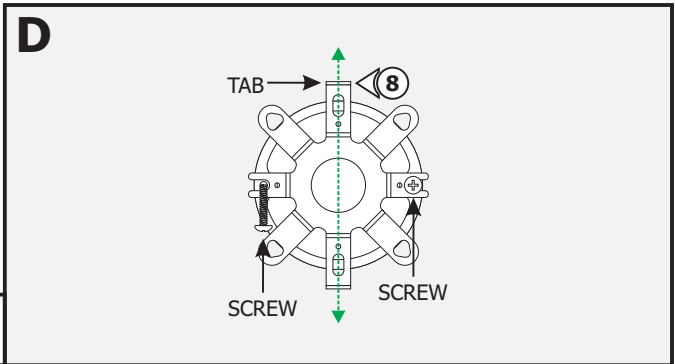


100W, 24VAC LOW VOLTAGE WIRE SIZE CHART					
3% VOLTAGE DROP	WIRE LENGTH IN FT	UP TO 31FT	32FT-49FT	50FT-81FT	82FT-124FT
	WIRE SIZE	14 AWG	12 AWG	10 AWG	8 AWG
	VOLTAGE AT END OF THE WIRE	23.28 VAC	23.29 VAC	23.28 VAC	23.28 VAC



7: Feed the wires coming from the DMX controller or dimming module through the center hole of the crossbar. Refer to the instructions provided with the power supply.

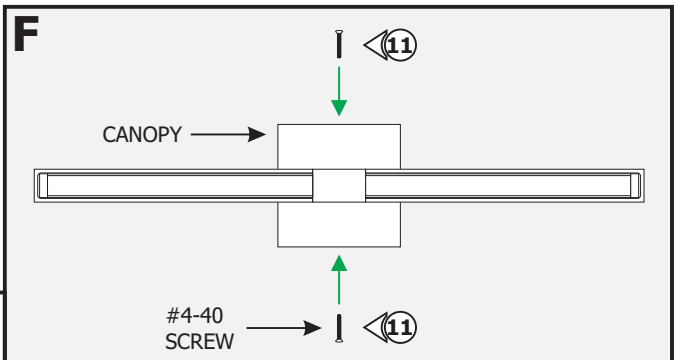
8: Align the crossbar tabs vertically and mount the crossbar to the junction box holes with the two #8-32 screws provided.



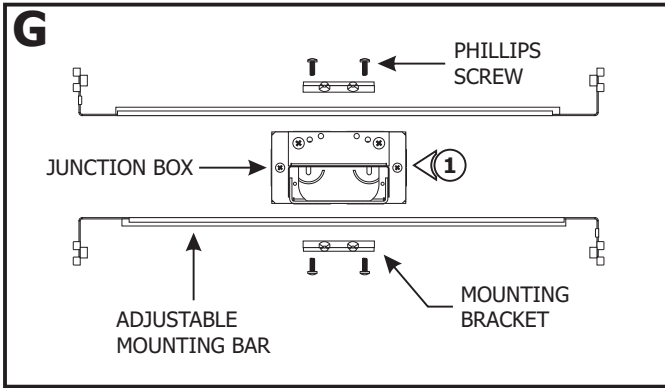
9: Refer to the wiring diagrams on pages 5 and 6 to connect the wires properly.

10: Place all the wires and wire connections inside the junction box.

11: Place the fixture against the crossbar and secure it with the provided #4-40 screws using a 1/16" Allen wrench.



Section Two: 1RE Version

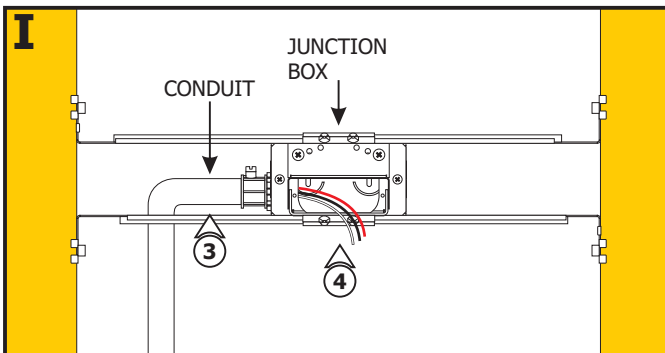
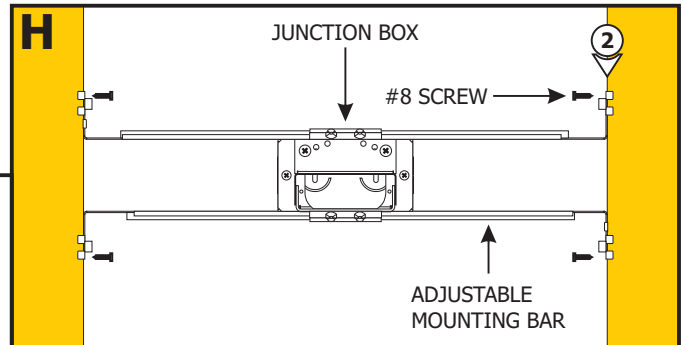


NOTE: Before beginning any electrical work, ensure that the power to the electrical box is off.

- 1:** Mount each adjustable mounting bar to one side of the junction box and secure them with the provided mounting brackets and two Phillips screws.

NOTE: Adjustable mounting bars mount to studs that are spaced 15" to 25" apart. If the span needs to be shorter than 15", then break the bar arms from dedicated lines.

- 2:** Place the adjustable mounting bar tabs between the studs. Secure the adjustable bars to the studs with the #8 screws.



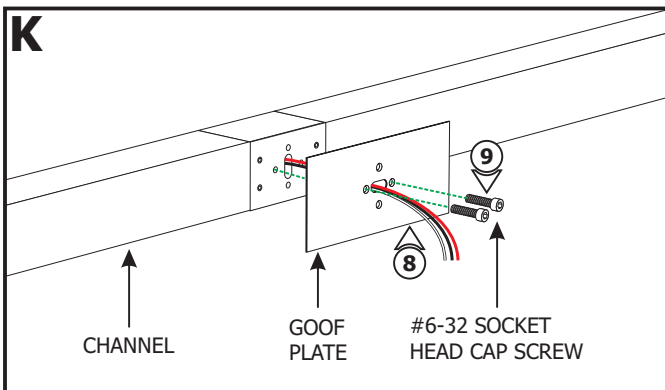
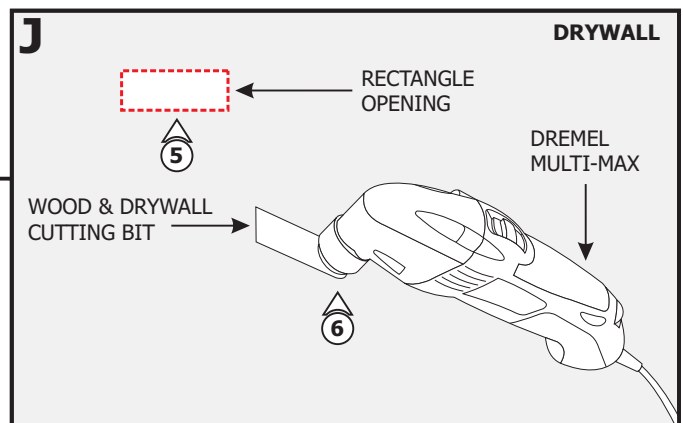
- 3:** Remove a knockout to install a conduit into the junction box. Install conduit(s) (if required by local electrical code).

- 4:** Run the wires coming from the DMX controller (refer to Drawing B, steps 2 through 6 on page 1) or dimming module for two channel controls to the junction box.

- 5:** Mark the rectangular junction box opening shape on the drywall where the junction box will be located.

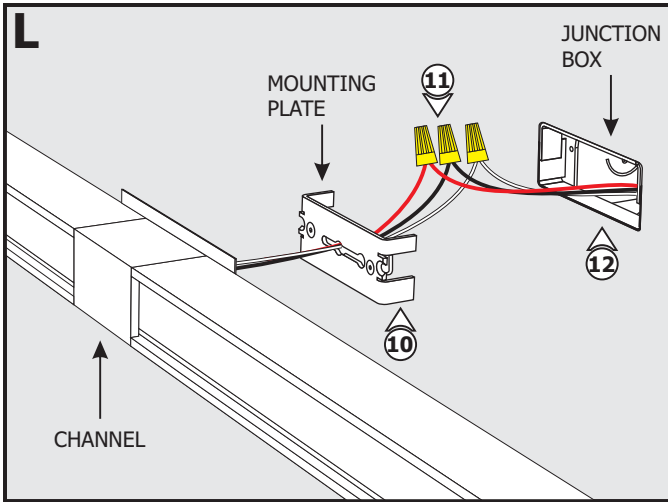
- 6:** Cut out the marked rectangle opening, using a "Dremel Multi-Max" with the "wood & drywall" cutting bit.

- 7:** Install the drywall and plaster around the junction box. Sand and then paint.



- 8:** Feed the wires of the channel through the goof plate.

- 9:** Place the provided goof plate (paint to match prior) onto the Tie Stix channel. Secure it with the two 1/2" #6-32 socket head cap screws using a 7/64" Allen wrench (provided).

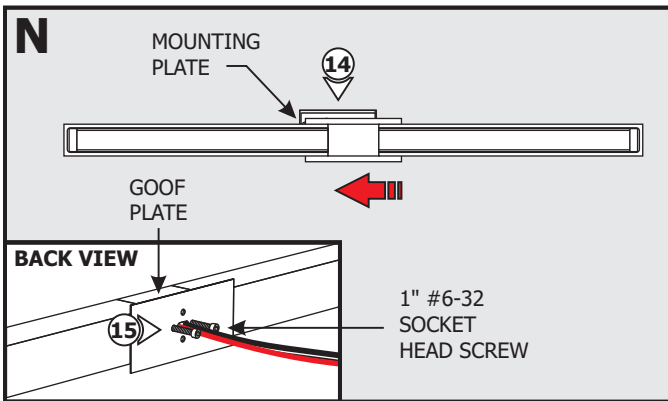
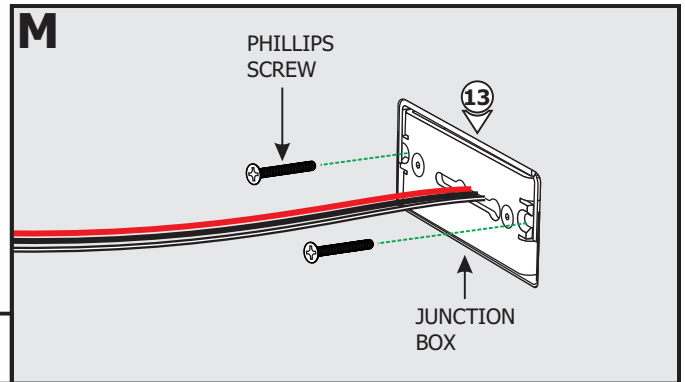


10: Feed the wires from the channel through the mounting plate.

11: Refer to the wiring diagrams on pages 5 and 6 to connect the wires properly.

12: Place all the wires and wire connections inside the junction box.

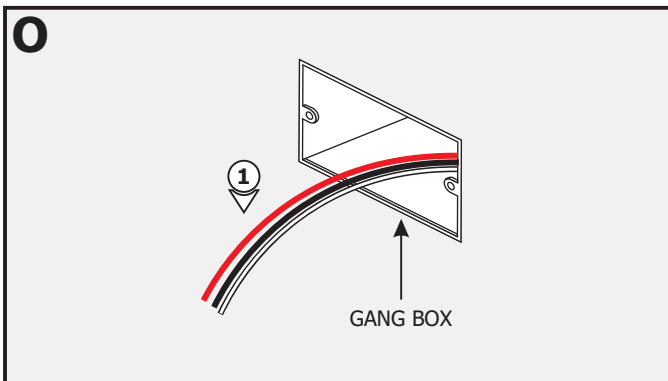
13: Place the mounting plate into the junction box. Secure it with the two Phillips screws.



14: Insert the socket head cap screws into the opening of the mounting plate, then slide sideways to lock in place.

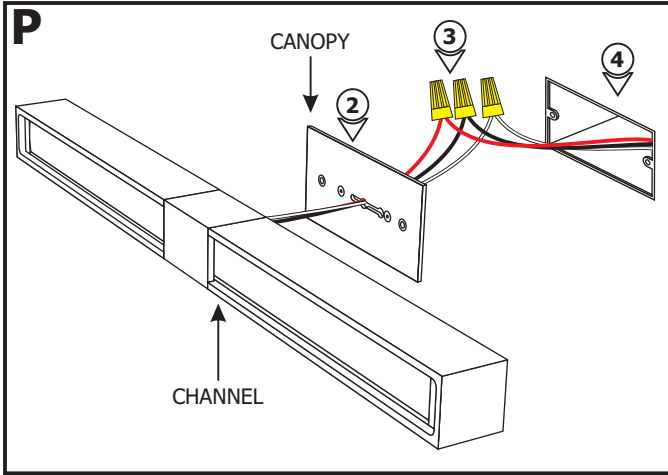
15: If the drywall is thicker than 3/4", use the two 1" #6-32 socket head cap screws (provided) for the goof plate with a 7/64" Allen wrench.

Section Three: 2RE Version



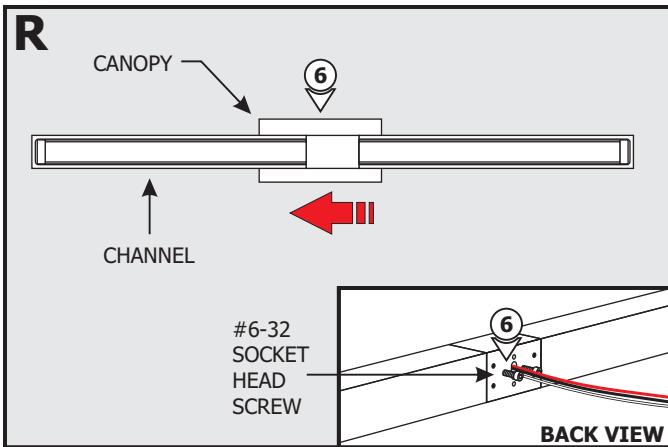
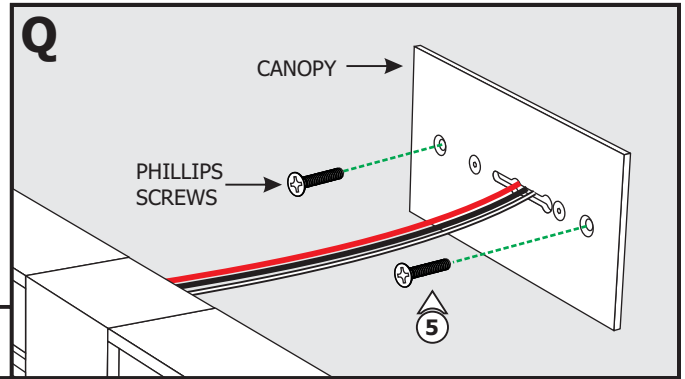
NOTE: Ensure single gang box is oriented horizontally.

1: Run the wires coming from the DMX controller (refer to Drawing B, steps 2 through 6 on page 1) or dimming module for two channel controls to the gang box.



- 2: Feed the wires from the channel through the canopy.
- 3: Refer to the wiring diagrams on pages 5 and 6 to connect the wires properly.
- 4: Place all the wires and wire connections inside the gang box.

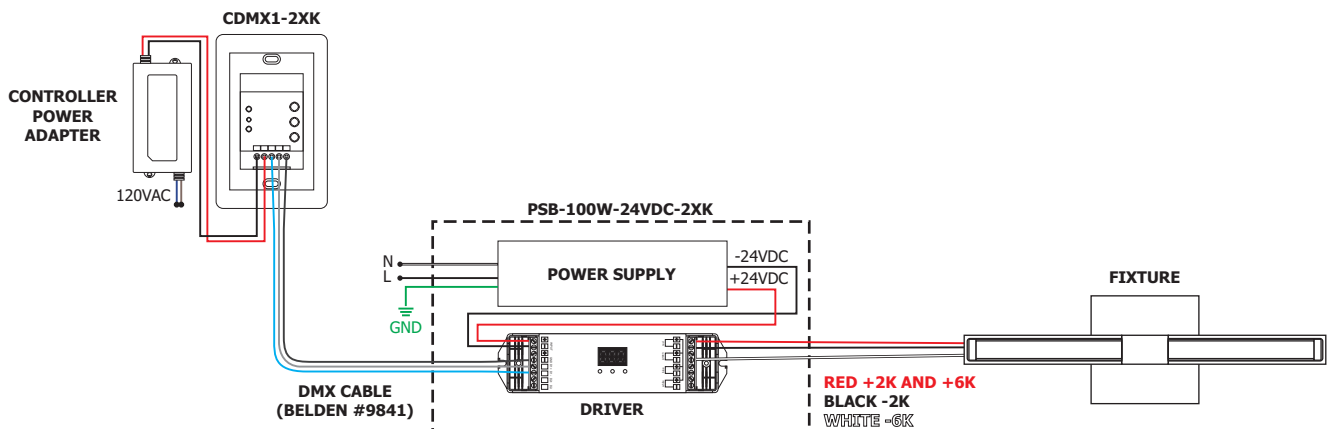
5: Place the canopy onto the junction box. Secure it to the junction box with the two Phillips screws provided.



6: Insert the socket head cap screws into the opening of the canopy, then slide the channel sideways to lock in place.

General Wiring Diagram

Using LED Power Supply with CDP, CTP, or CDMX Control



Tunable White: LED Power Supply with two Channel Controls, for Intensity and Color Temperature

