



1718 W. Fullerton Chicago, IL 60614
 Ph: 773.770.1195 • Fax: 773.935.5613
 www.PureEdgeLighting.com • info@PureEdgeLighting.com
 © 2016 PureEdge Lighting. All Rights Reserved.

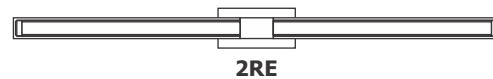
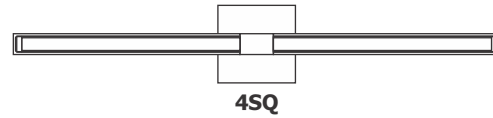
Installation Instructions for Tie Stix Wall 2-Light Adjustable Tunable White with Remote Power

TXW2AR-__-2K4K-__

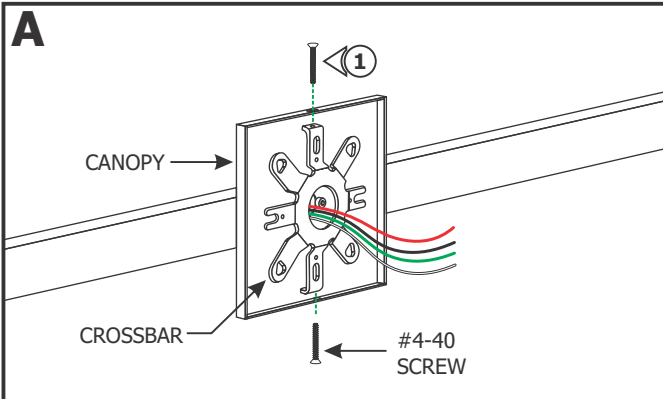
IMPORTANT INFORMATION

- This product is ETL listed.
- This instruction shows a typical installation.
- This product is wall mount only.
- The 4SQ version mounts to a standard junction box with plaster ring or octagon box.
- The 1RE version mounts to the provided Slim Profile Junction Box.
- The 2RE version mounts to a single gang box.

SAVE THESE INSTRUCTIONS!



Section One: 4SQ Version

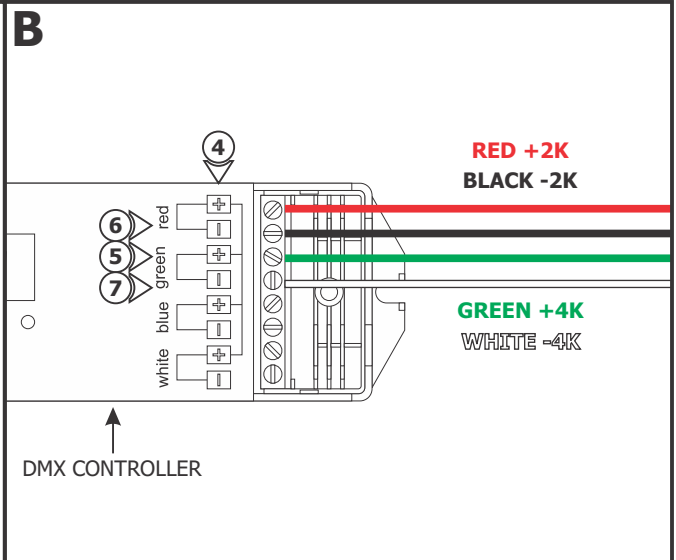


NOTE: Before beginning any electrical work, ensure that the power to the junction box is off.

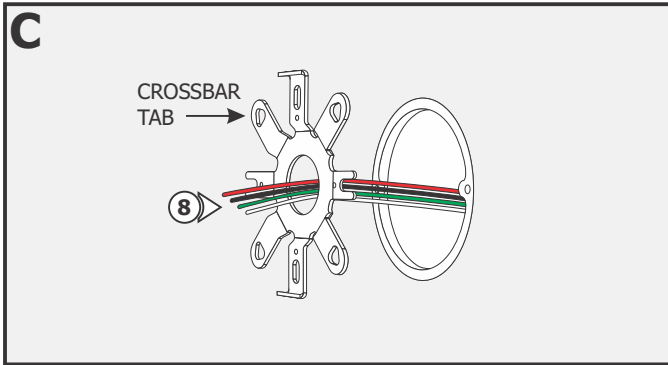
- 1:** Remove the two #4-40 screws from the canopy using a 1/16" Allen wrench to remove the crossbar.

NOTE: Omit steps 2 through 7 if using two dimmers/switches.

- Use the "Low Voltage Wire Size Chart" on Page 2 to determine proper wire size connecting to the DMX controller terminals.
- Run the proper size red, black, green and white wires from the Tie Stix fixture to the power supply enclosure.
- Connect the red fixture wire to the red "+" DMX terminal and tighten the screw.
- Connect the green fixture wire to the green "+" DMX terminal and tighten the screw.
- Connect the black fixture wire to the red "-" DMX terminal and tighten the screw.
- Connect the white fixture wire to the green "-" DMX terminal and tighten the screw.

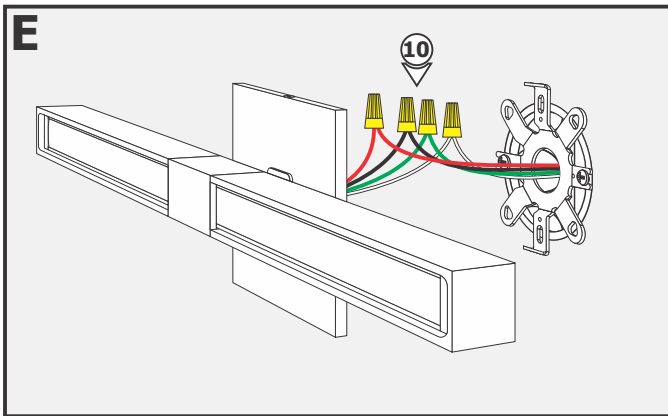
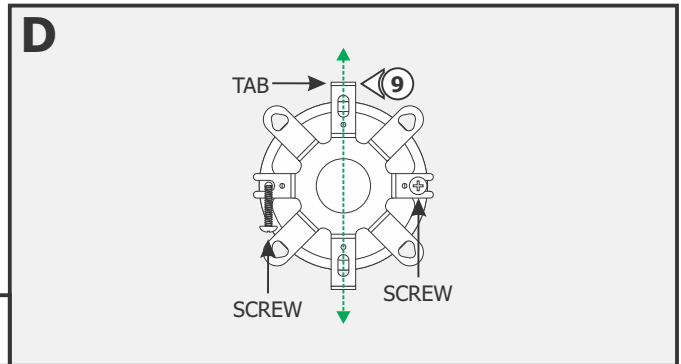


100W, 24VAC LOW VOLTAGE WIRE SIZE CHART					
3% VOLTAGE DROP	WIRE LENGTH IN FT	UP TO 31FT	32FT-49FT	50FT-81FT	82FT-124FT
	WIRE SIZE	14 AWG	12 AWG	10 AWG	8 AWG
	VOLTAGE AT END OF THE WIRE	23.28 VAC	23.29 VAC	23.28 VAC	23.28 VAC



8: Feed the wires coming from the DMX controller or two remote power supplies through the center hole of the crossbar. Refer to the instructions provided with the power supply.

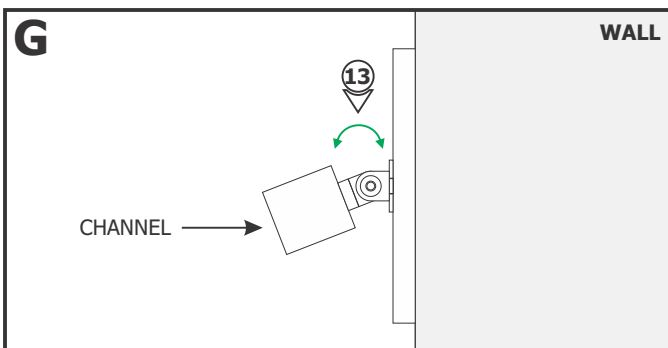
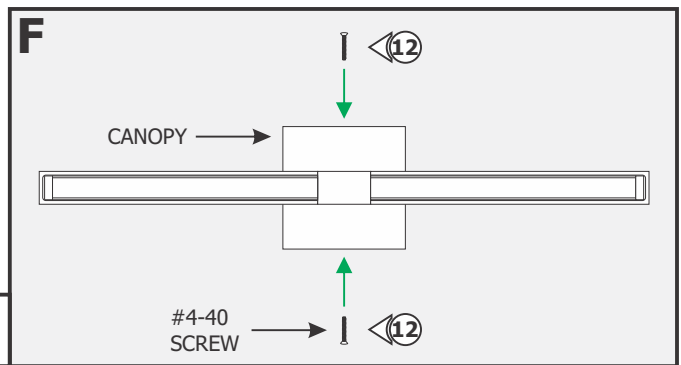
9: Align the crossbar tabs vertically and mount the crossbar to the junction box holes with the two #8-32 screws provided.



10: Refer to the wiring diagrams on pages 5 and 6 to connect the wires properly.

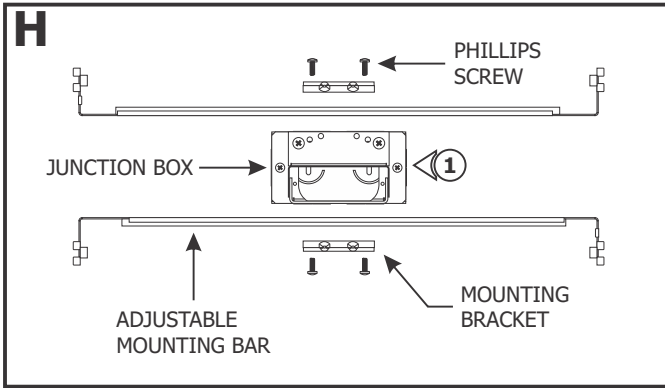
11: Place all the wires and wire connections inside the junction box.

12: Place the fixture against the crossbar and secure it with the provided #4-40 screws using a 1/16" Allen wrench.



13: If necessary, adjust the angle of the fixture by rotating the channel vertically.

Section Two: 1RE Version

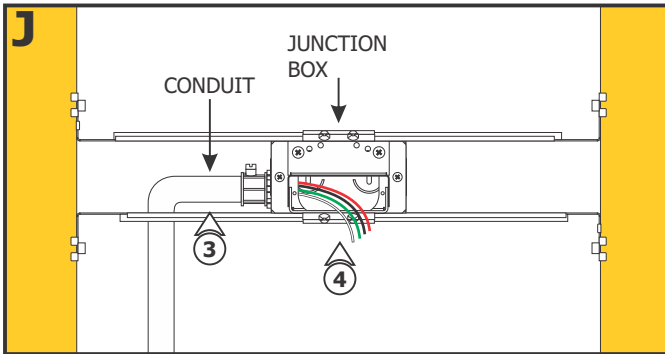
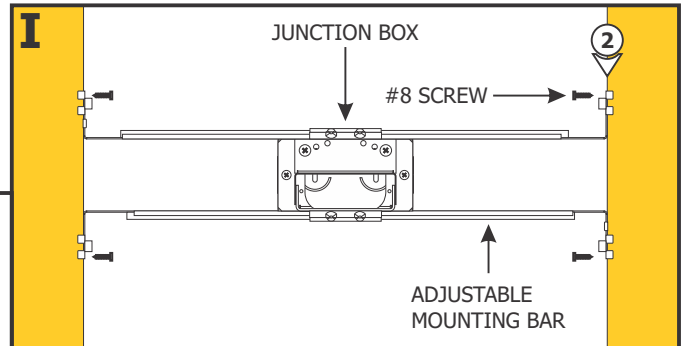


NOTE: Before beginning any electrical work, ensure that the power to the electrical box is off.

- 1:** Mount each adjustable mounting bar to one side of the junction box and secure them with the provided mounting brackets and two Phillips screws.

NOTE: Adjustable mounting bars mount to studs that are spaced 14.5" to 25" apart.

- 2:** Place the adjustable mounting bar tabs between the studs. Secure the adjustable bars to the studs with the #8 screws.



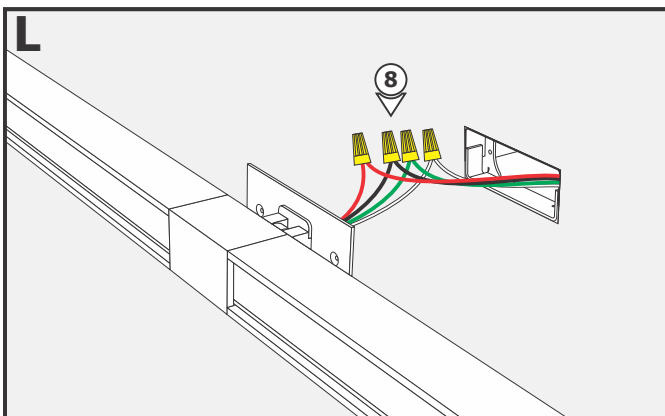
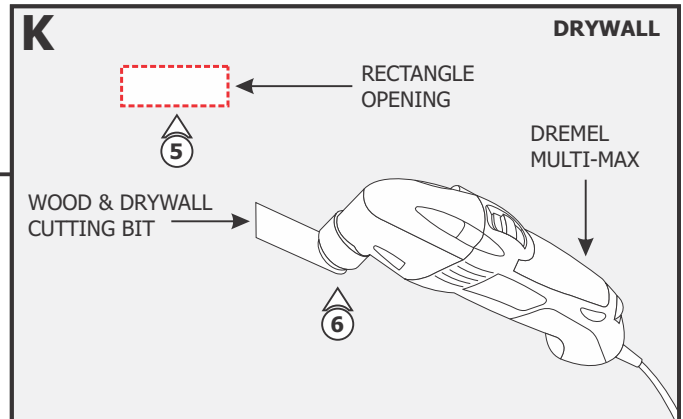
- 3:** Remove a knockout to install a conduit into the junction box. Install conduit(s) (if required by local electrical code).

- 4:** Run the wires coming from the DMX controller (refer to Drawing B, steps 2 through 7 on page 1) or alternative two dimmers to the junction box.

- 5:** Mark the rectangular junction box opening shape on the drywall where the junction box will be located.

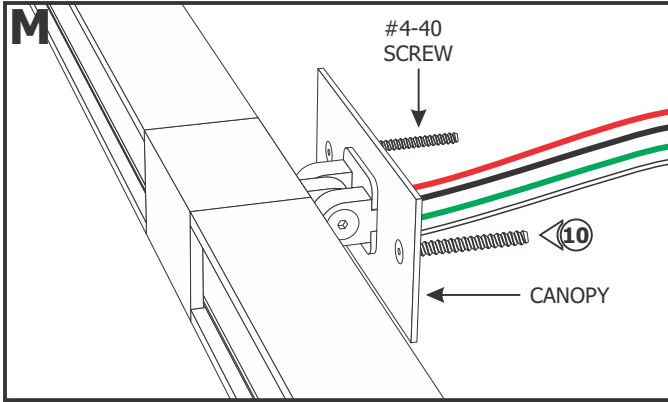
- 6:** Cut out the marked rectangle opening, using a "Dremel Multi-Max" with the "wood & drywall" cutting bit.

- 7:** Install the drywall and plaster around the junction box. Sand and then paint.

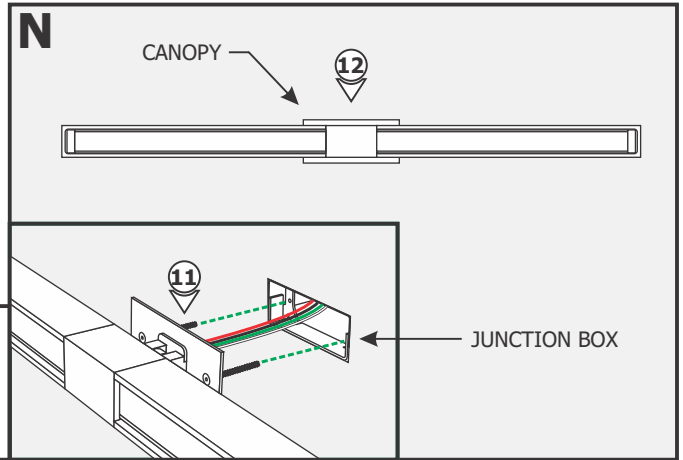


- 8:** Refer to the wiring diagrams on pages 5 and 6 to connect the wires properly.

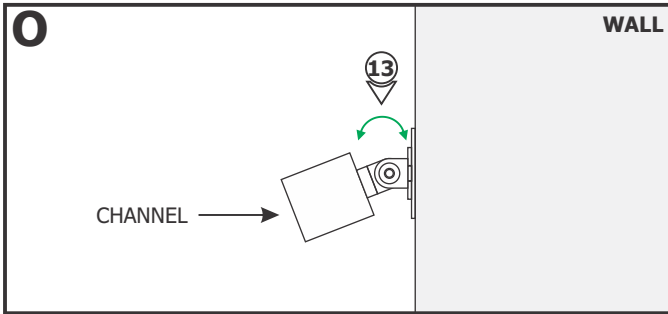
- 9:** Place all the wires and wire connections inside the junction box.



10: Insert the two provided #4-40 screws through the canopy holes.

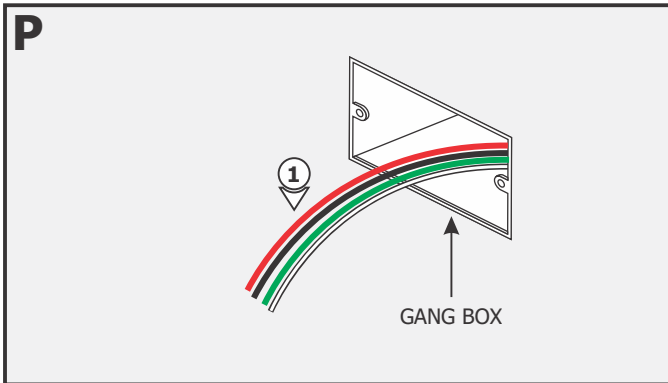


11: Align the screws on the canopy with the junction box holes.
12: Secure the fixture to the junction box by tightening the two #4-40 screws using a 1/16" Allen wrench.



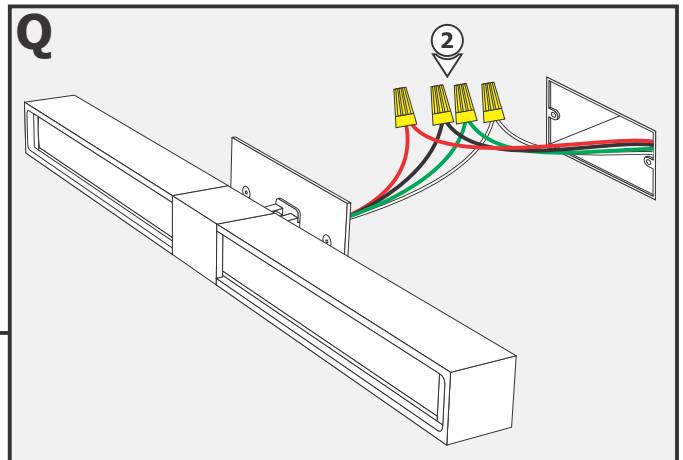
13: If necessary, adjust the angle of the fixture by rotating the channel vertically.

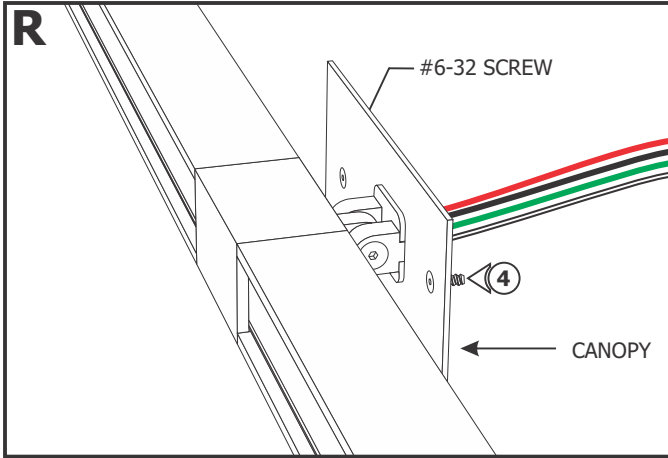
Section Three: 2RE Version



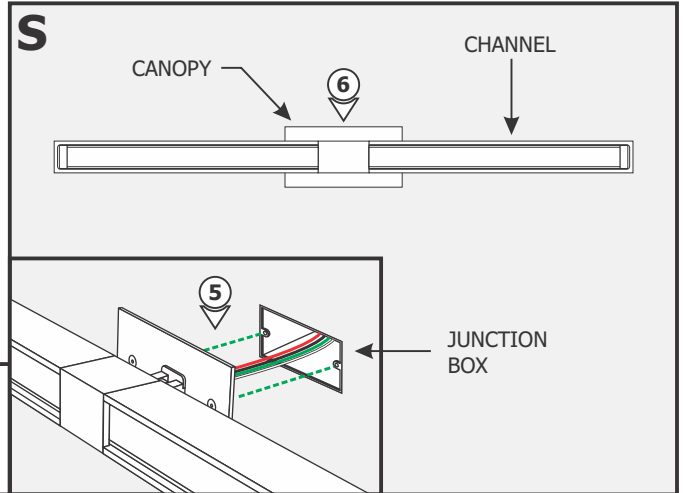
NOTE: Ensure single gang box is oriented horizontally.
1: Run the wires coming from the DMX controller (refer to Drawing B, steps 2 through 7 on page 1) or alternative two dimmers to the gang box.

2: Refer to the wiring diagrams on pages 5 and 6 to connect the wires properly.
3: Place all the wires and wire connections inside the gang box.



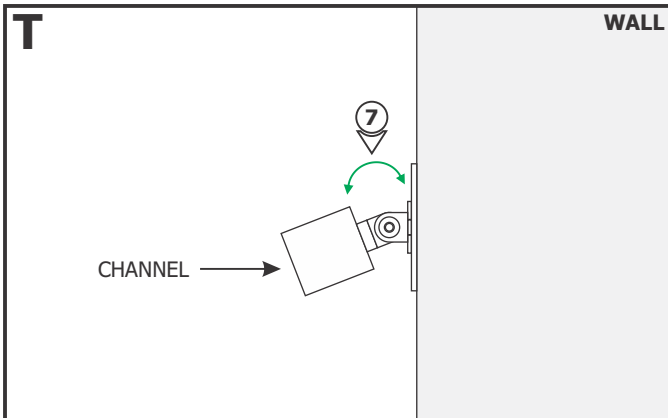


4: Insert the two provided #6-32 screws through the canopy holes.



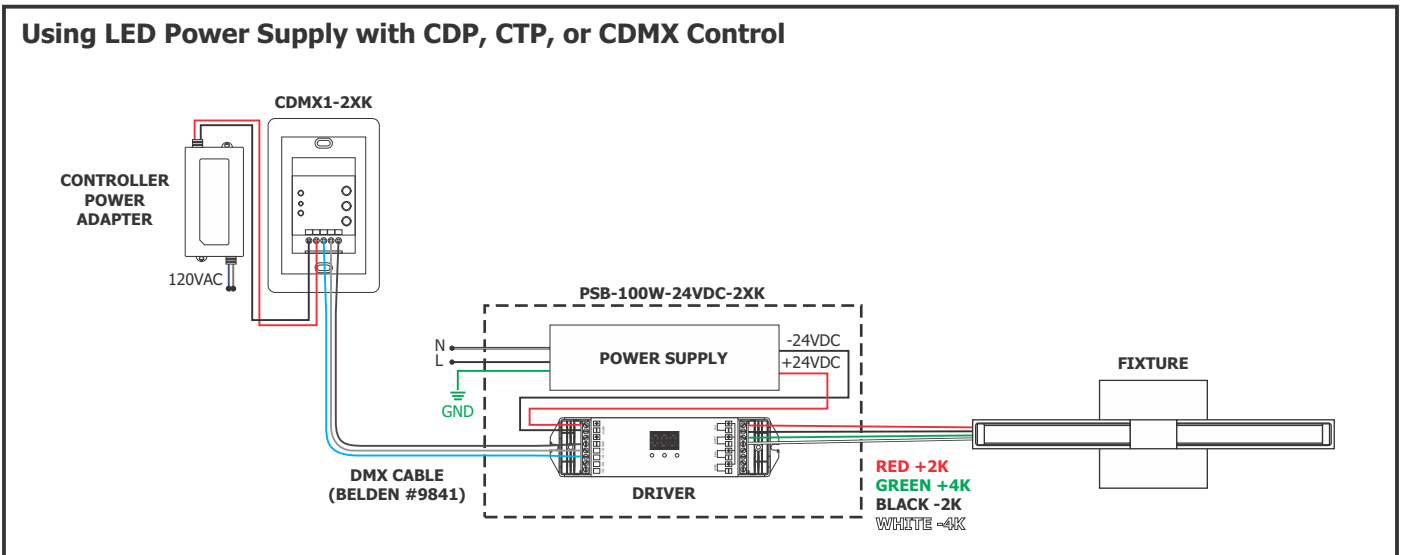
5: Align the screws on the canopy with the junction box holes.

6: Secure the fixture to the junction box by tightening the two #6-32 screws using a 5/64" Allen wrench.



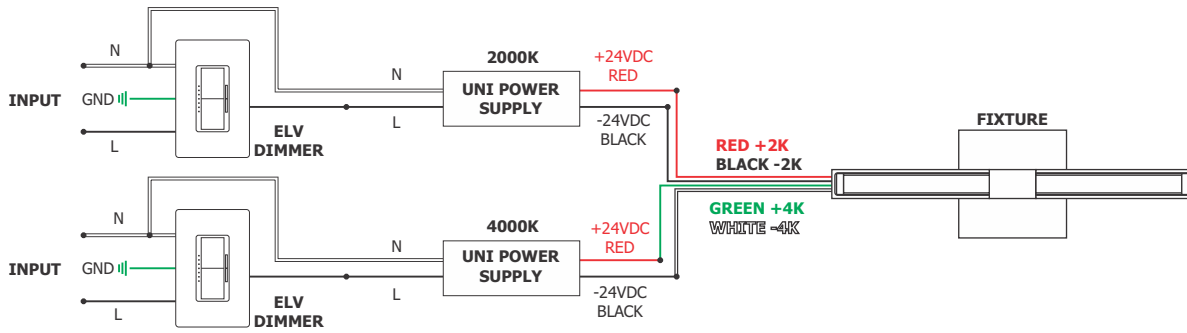
7: If necessary, adjust the angle of the fixture by rotating the channel vertically.

General Wiring Diagram

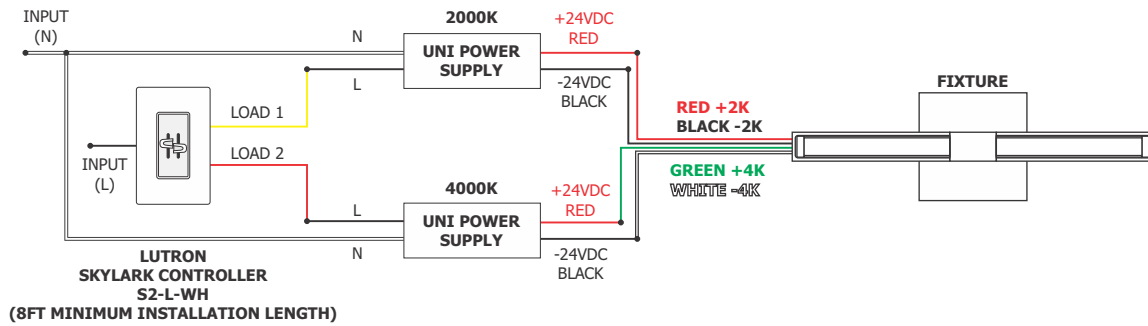


General Wiring Diagram

Using Two Power Supplies and ELV Dimmers



Using Two Power Supplies Triac Dimmer



Using Two Power Supplies and 0-10V Dimmers

