



1718 W. Fullerton Chicago, IL 60614
 Ph: 773.770.1195 • Fax: 773.935.5613
 www.PureEdgeLighting.com • info@PureEdgeLighting.com
 © 2016 PureEdge Lighting. All Rights Reserved.

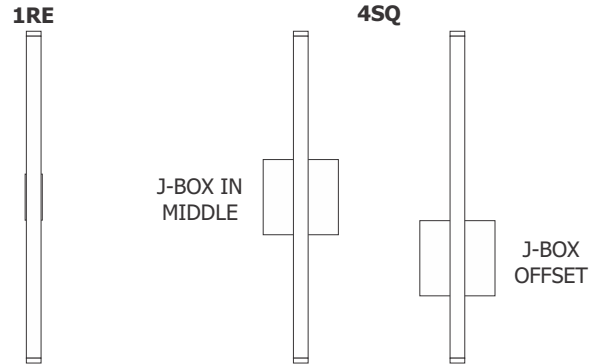
Installation Instructions for Twiggy Square Lens 24VDC Remote Power Supply, Tunable White 2000K-4000K

TW2R-S1-__-2K4K-__

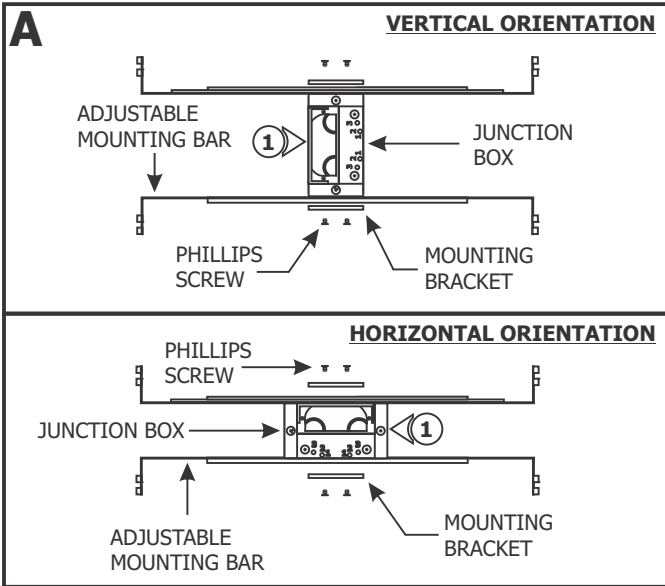
IMPORTANT INFORMATION

- This instruction shows a typical installation.
- This product is wall mount only.
- This product must be installed by a qualified electrician.
- The 1RE version mounts to the provided CV2_1RE_JBOX.
- The 4SQ version mounts to standard electrical box with plaster ring or octagon box.
- This product requires remote 24VDC power supplies (sold separately) or a 24VDC 2XK power supply (sold separately).

SAVE THESE INSTRUCTIONS!



Section One: TW2-1RE Version

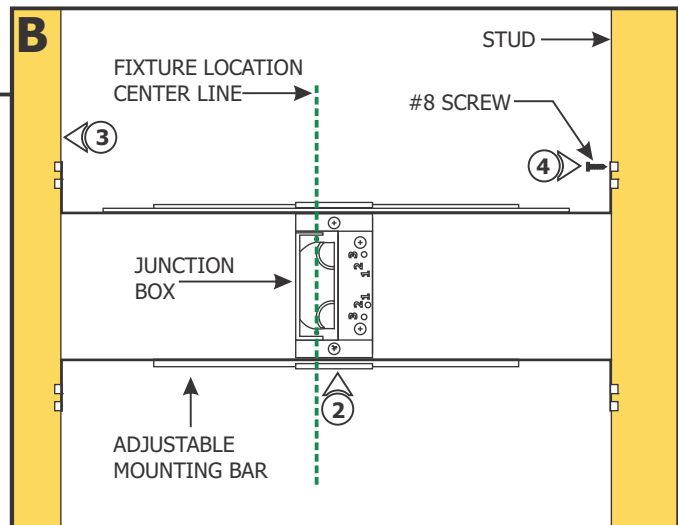


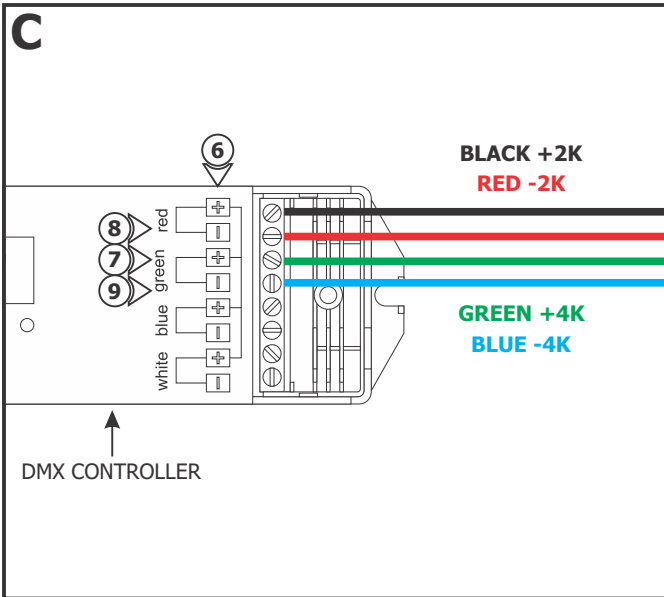
NOTE: Before beginning any electrical work, ensure that the power to the electrical box is off.
NOTE: Omit this section if using 4" Square Split Canopy. Refer to Section Two.

1: Determine channel orientation. Mount each adjustable mounting bar to one side of the junction box and secure them with the provided mounting brackets and two Phillips screws.

NOTE: The adjustable mounting bars mount to studs that are spaced 13" to 24" apart.
NOTE: Ensure the opening of the junction box is aligned with the center of the desired fixture location. If necessary, adjust the junction box location by loosening the screws and sliding the junction box to the proper location. Tighten the Phillips screws after adjusting.

- 2: Select the location between the two studs for the junction box to be mounted. Place the adjustable mounting bars between the studs.
- 3: Make sure the lips on the adjustable mounting bars are against the studs. Secure the adjustable bars to the studs with the #8 screws.

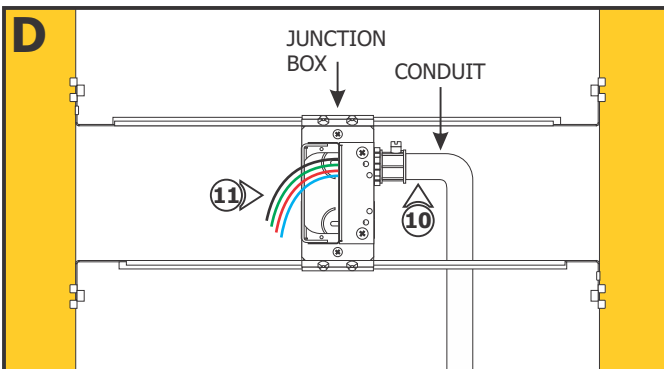




NOTE: Omit steps 4 through 9 if using two dimmers/power supplies. Refer to wiring diagrams on pages 7 and 8.

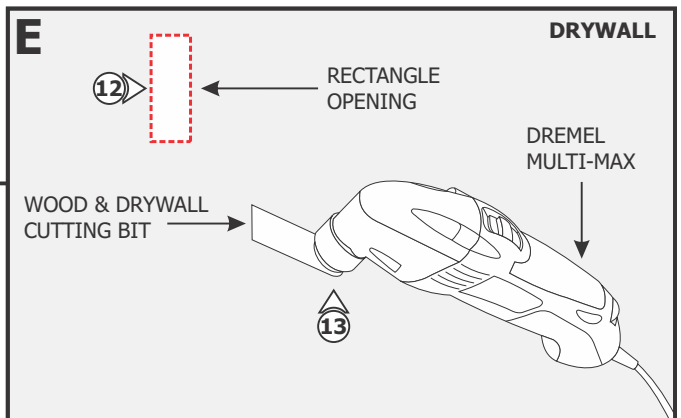
- 4: Use the "Low Voltage Wire Size Chart" below to determine proper wire size connecting to the DMX controller terminals.
- 5: Run the proper size black, green, red and blue wires from the fixture to the power supply enclosure.
- 6: Connect the black fixture wire to the red "+" DMX terminal and tighten the screw.
- 7: Connect the green fixture wire to the green "+" DMX terminal and tighten the screw.
- 8: Connect the red fixture wire to the red "-" DMX terminal and tighten the screw.
- 9: Connect the blue fixture wire to the green "-" DMX terminal and tighten the screw.

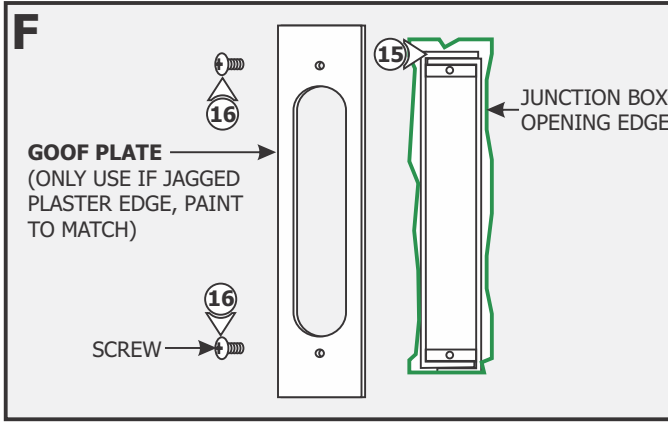
100W, 24VAC LOW VOLTAGE WIRE SIZE CHART					
3% VOLTAGE DROP	WIRE LENGTH IN FT	UP TO 31FT	32FT-49FT	50FT-81FT	82FT-124FT
	WIRE SIZE	14 AWG	12 AWG	10 AWG	8 AWG
	VOLTAGE AT END OF THE WIRE	23.28 VAC	23.29 VAC	23.28 VAC	23.28 VAC



- 10: Remove a knockout to install a conduit into the junction box. Install conduit(s) (if required by local electrical code).
- 11: Run the wires coming from the DMX controller or the alternative two remote power supplies to the junction box. Refer to the instructions provided with the power supplies.

- 12: Mark a rectangle shape on the drywall where the junction box opening will be located depending on selected position.
- 13: Cut out the marked rectangle opening, using a "Dremel Multi-Max" with the "wood & drywall" cutting bit.
- 14: Install & finish drywall.



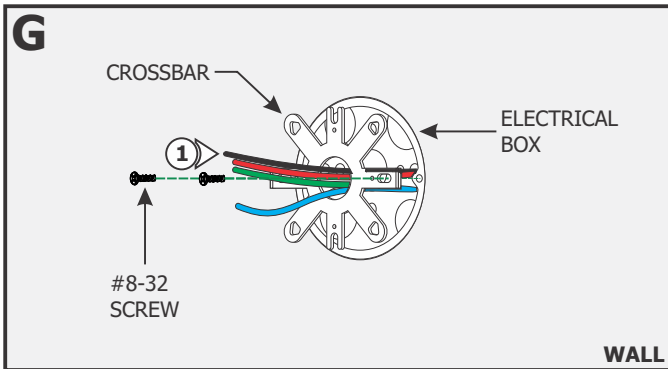


15: Install the drywall and plaster around the junction box opening. Sand and then paint.

16: If necessary: Use the Goof Plate if the junction box opening has a lot of imperfection/jagged edges. Install the provided goof plate (paint to match prior) with the two screws.

17: Complete installation by following steps in Section Three.

Section Two: TW2-4SQ Version

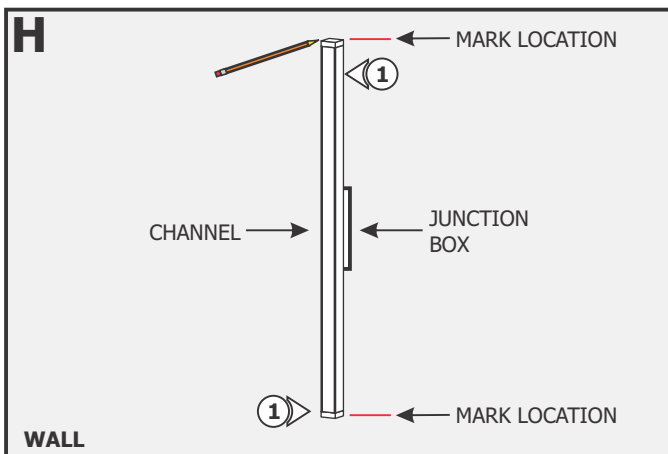


NOTE: Omit this section if using 1" Rectangle Canopy.

1: Feed the wires coming from two remote power supplies (refer to wiring diagrams on pages 7 and 8) or the DMX controller (refer to Drawing C and steps 4 through 9 on page 2), through the crossbar hole and mount the crossbar to the electrical box with two #8-32 screws provided.

2: Complete installation by following steps in Section Three.

Section Three: Install Fixture For Both Versions

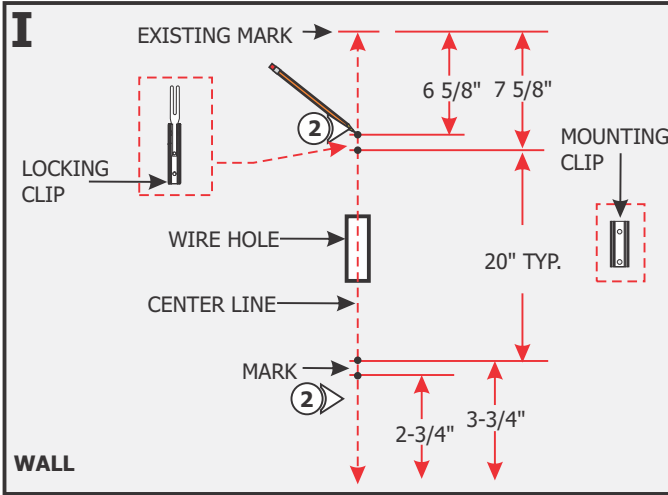


NOTE: It is recommended more than one person to assist in this installation.

NOTE: Fixture can be mounted in a horizontal or vertical position.

NOTE: The junction box does not need to be in middle of the channel (could be at either end) but needs to be aligned in the center of the channel.

1: Mark the wall at each end of the channel and a center line from end to end. **Note which side the wires are located to later install the locking clip to the opposing side.**



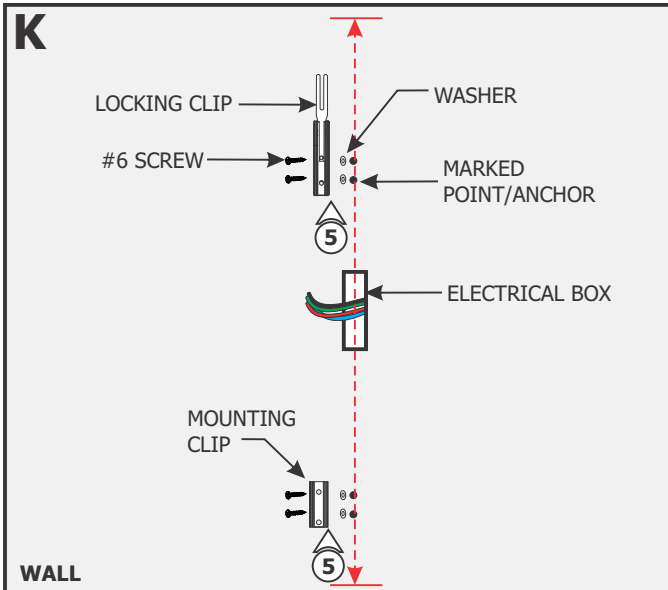
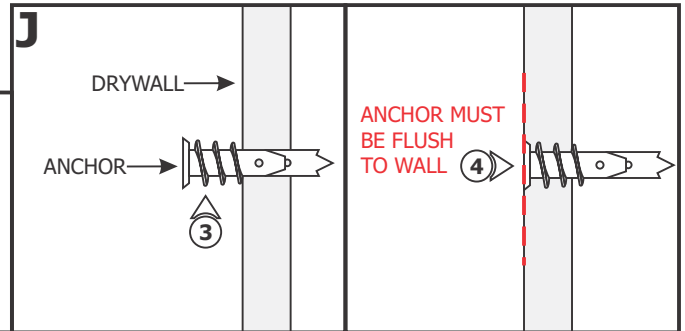
NOTE: TW2-S1-1RE shown for demonstration purposes.
NOTE: Locking clip must be installed in the opposite direction of the fixture wire. Fixtures greater than 36" are provided with two locking clips.
NOTE: The junction box could be offset, but needs to be aligned to the center of the channel.

2: From the two existing marks, make additional marks by following drawing H (a typical suggested location with measurements for the locking clip - longer runs contain two locking clips) to install the locking & mounting clips properly. Mounting clips must be installed every 20" from each other.

NOTE: Steps 3 and 4 are for drywall mounting. Omit these steps if mounting the clips to a wood surface directly.

3: Tap the anchors onto the marked points up to the threaded portion with a hammer.

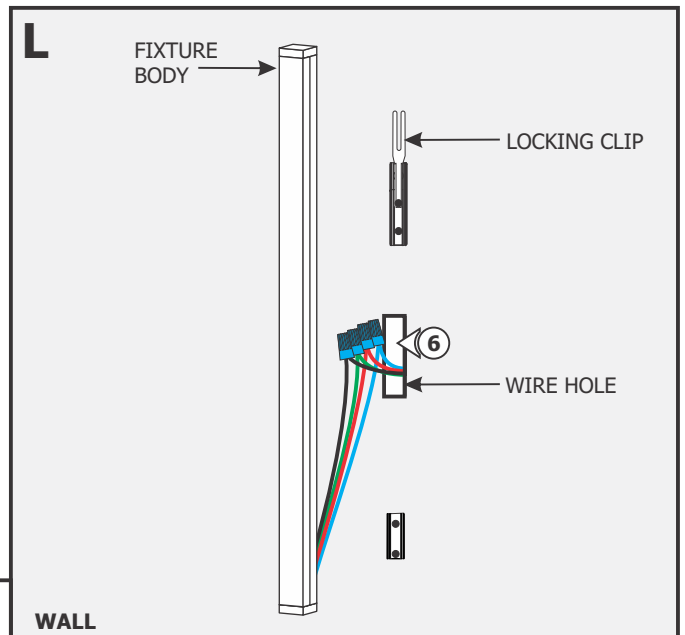
4: Screw in the threaded portion of the anchors with a Phillips screwdriver.

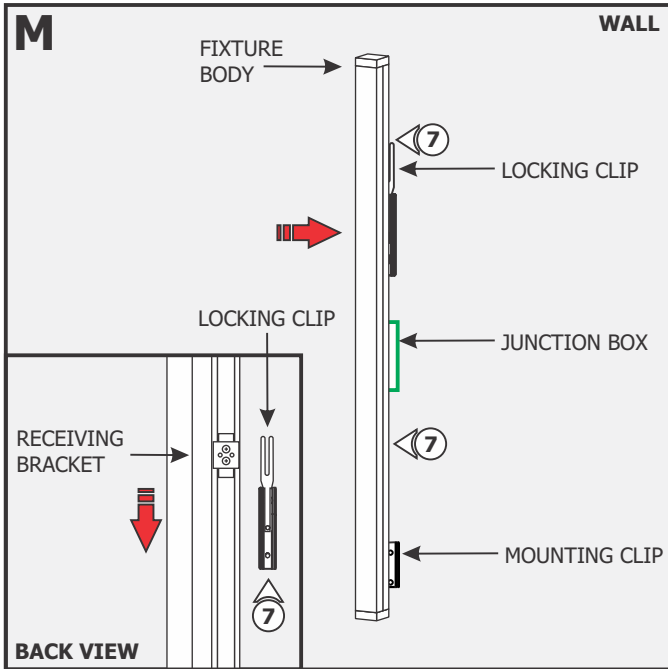


5: Secure the locking clip(s) & mounting clip(s) to the marked surface or anchors by passing the screws through the clip holes followed by the washers into the marked points or anchors. Locking clips mount onto mounting clips.

NOTE: Make sure the power supply wires are present in the junction box.
NOTE: Tighten the screws on the clips until the clips bend inside. This ensures the clips fit properly into the channel.

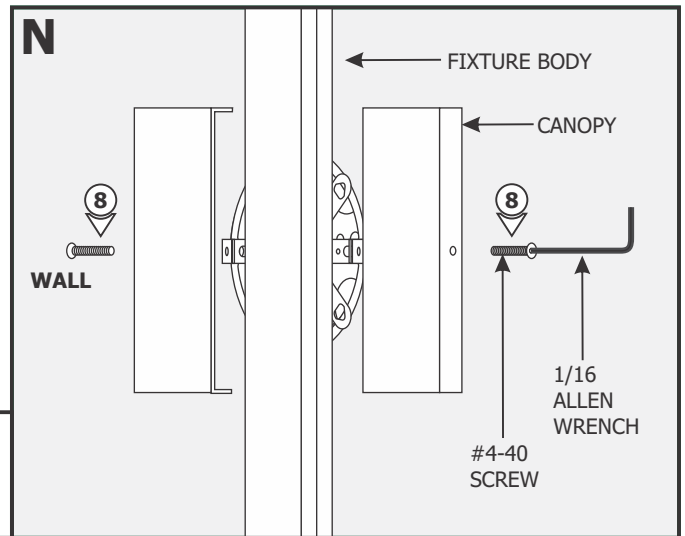
6: Refer to wiring diagram on pages 7 and 8 to connect the wires properly.





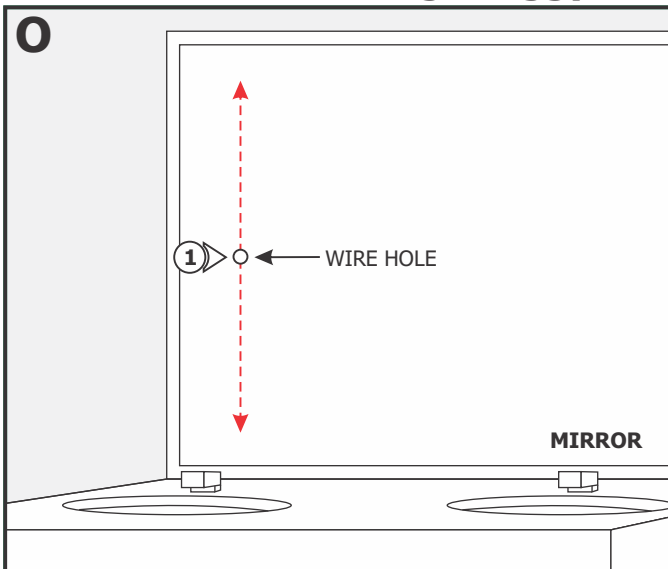
7: Carefully snap fixture body onto the locking & mounting clip(s) then slide into receiving bracket to lock in place. Make sure not to nick the wires.

NOTE: If the receiving bracket interferes with the electrical box, then relocate the bracket by loosening the set screws and make the necessary adjustments.



8 (OPTIONAL): For 4" Square Canopy installations, place each canopy piece against the crossbar and secure it to the electrical box holes with the provided #4-40 screws using the 1/16 Allen wrench.

Section Four: Installing Twiggy Fixture on Mirror



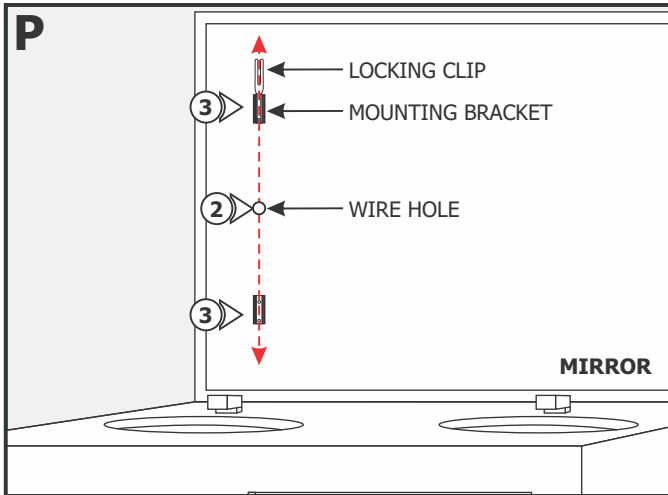
NOTE: It is recommended more than one person assist in this installation.

NOTE: To avoid damage to mirrors, ensure installation is completed by an experienced installer.

NOTE: Fixture can be mounted in a horizontal or vertical position.

NOTE: The junction box can be located anywhere along the length of the fixture but be aligned with the centerline of the channel.

1: Carefully drill a small hole in the mirror to pass low voltage wires through.



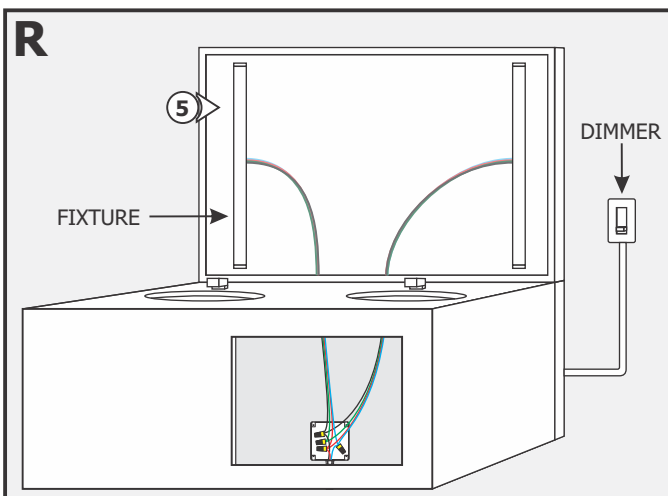
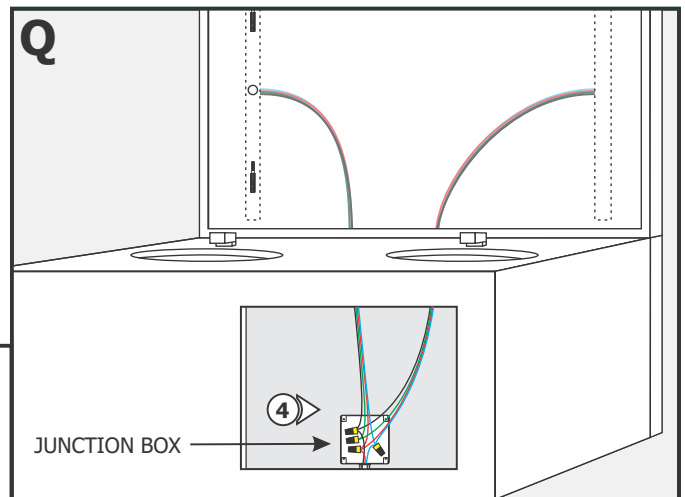
NOTE: Locking clip must be installed in the opposite direction of the fixture wire. Fixtures greater than 36" are provided with multiple locking clips.

2: Align and space mounting clips on mirror surface

3: Affix mounting clips to mirror using appropriate adhesive.

NOTE: (Optional) Junction box can be omitted for special installations or where permitted by local electrical code.

4: Run wires from the DMX to the remote junction box and connect the fixture wires inside the remote junction box.

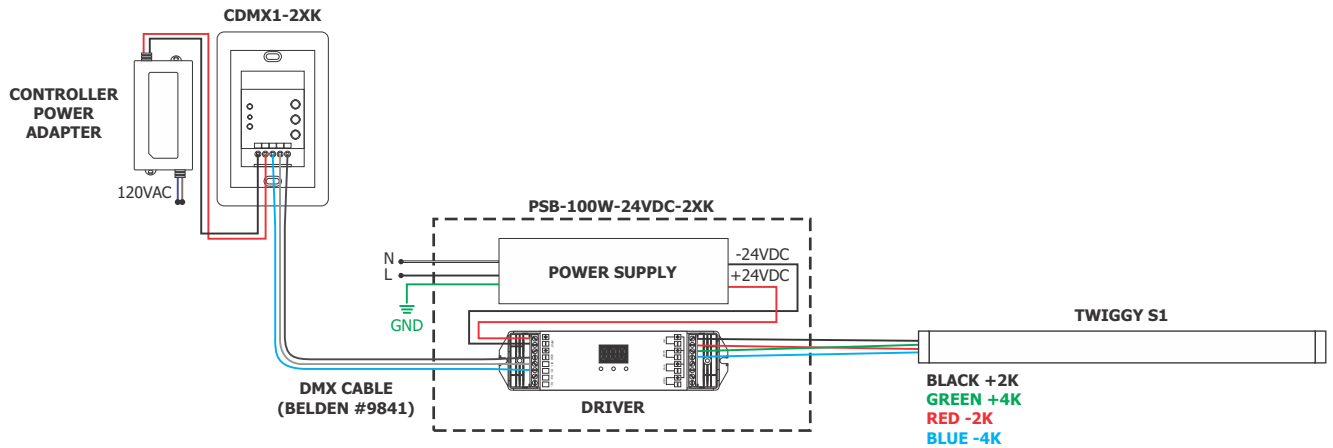


NOTE: Refer to installation instruction included with dimmer and power supply.

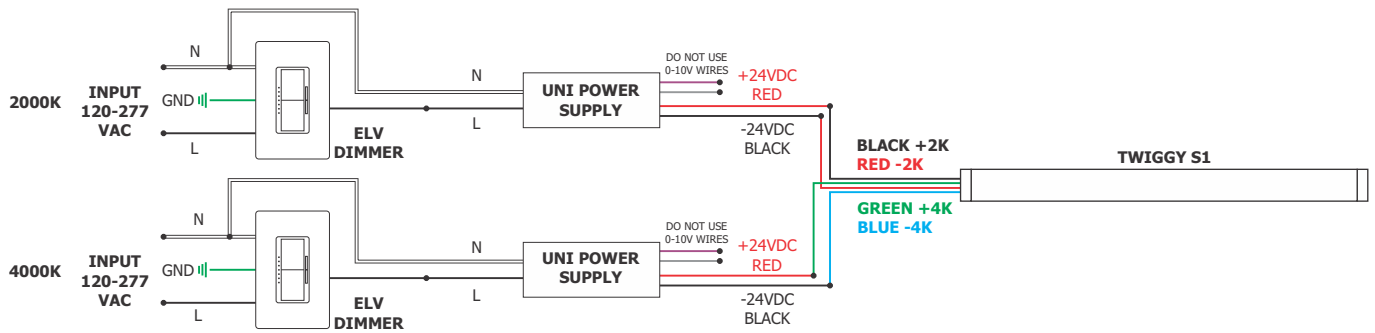
5: Carefully snap fixture body onto mounting clip(s). Slide receiving bracket to lock in place. Ensure low-voltage wires are not damaged during installation.

General Wiring Diagram

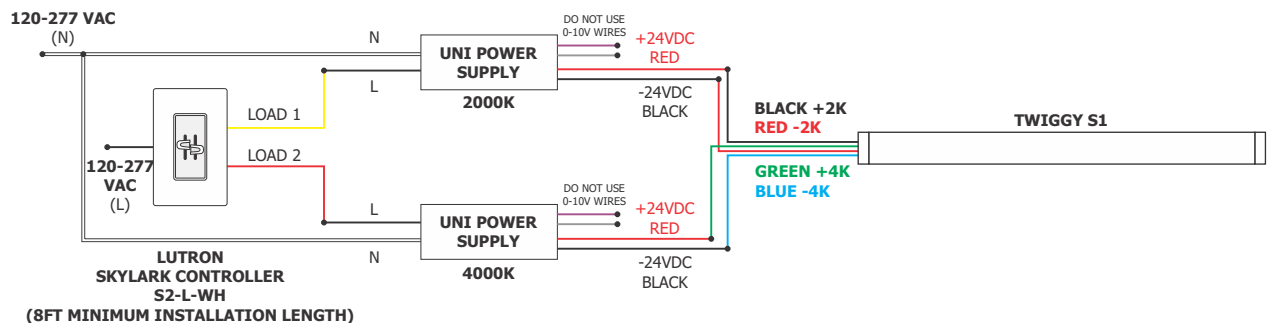
Using LED Power Supply with CDP, CTP, or CDMX Control (shown for demonstration purposes)



Two Power Supplies and ELV Dimmer



Two Power Supplies and Triac Dimmer



Two Power Supplies and 0-10V Dimmer

