



1718 W. Fullerton Chicago, IL 60614
 Ph: 773.770.1195 • Fax: 773.935.5613
 www.PureEdgeLighting.com • info@PureEdgeLighting.com
 © 2016 PureEdge Lighting. All Rights Reserved.

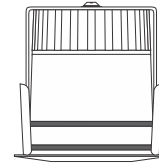
Installation Instructions for Sun 3 Ceiling RGB LED

SUN3C-_-_-RGB-SA

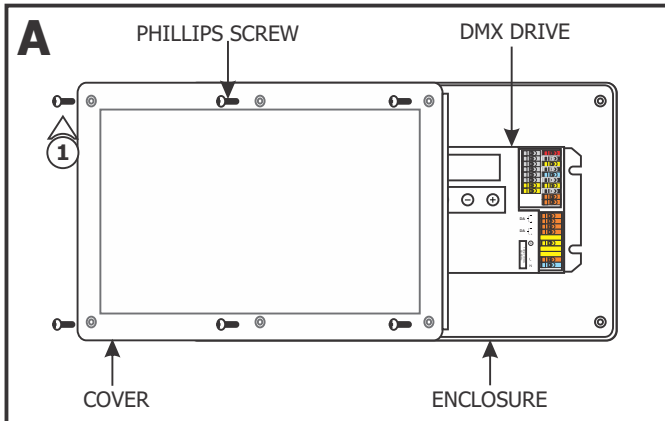
IMPORTANT INFORMATION

- This fixture is for ceiling mount only.

SAVE THESE INSTRUCTIONS!



Section One: Install the Constant Current DMX Driver

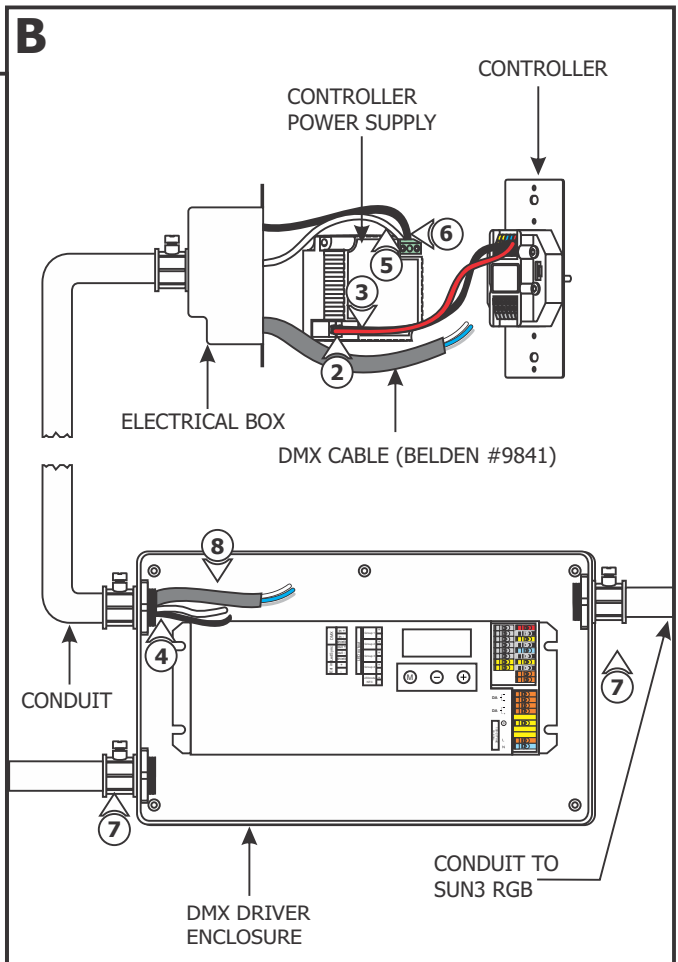


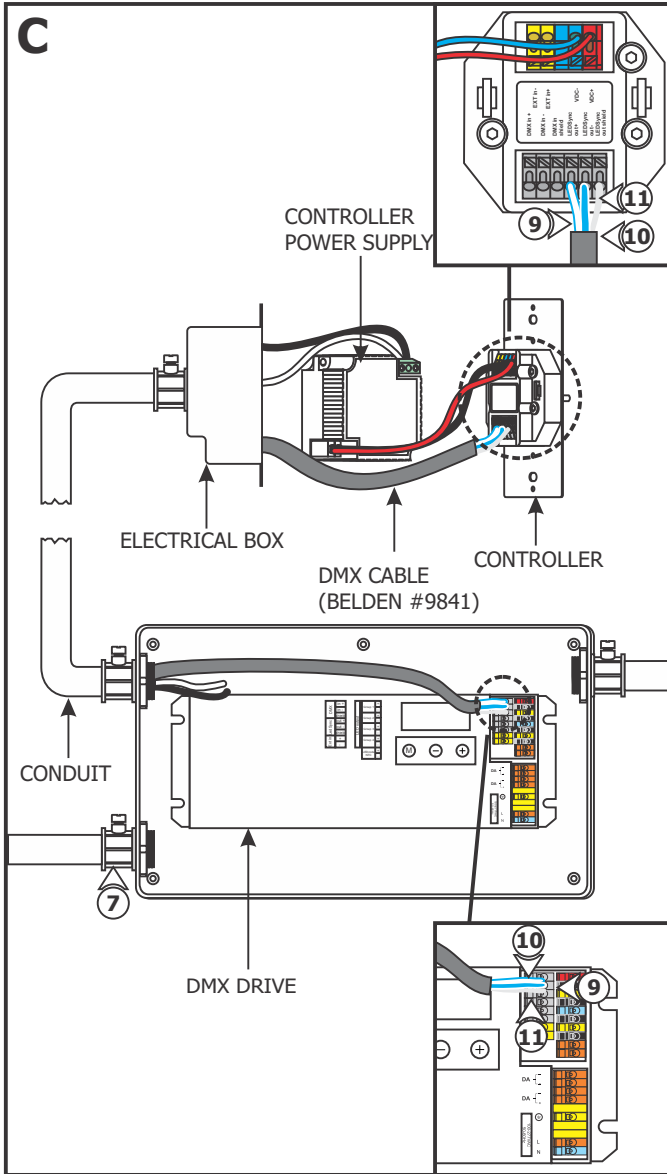
1: Loosen the six Phillips screws on front of the DMX driver to remove the cover.

NOTE: Use a deep double gang boxes to fit the controller and controller power supply.

NOTE: Refer to the "Operation Guide for CDP Controller" on page 6 to properly operate the controller.

- 2:** Connect one end of a red wire to "VDC+" of the controller terminal and the other end of the red wire to the "+24VDC" of the power supply terminal.
- 3:** Connect one end of a black wire to "Ground" of the controller terminal and the other end to the "-24VDC" of the power supply terminal.
- 4:** Install a conduit from the controller electrical box to the DMX driver enclosure and run the black and white line voltage wires coming from the controller power supply to the DMX driver enclosure.
- 5:** Connect the white wire to "N" terminal of the controller power supply.
- 6:** Connect the black wire to "L" terminal of the controller power supply.
- 7:** Install conduits from the controller, to the main panel (line voltage), and to the SUN3 housing(s).
- 8:** Run proper DMX cable (**Belden #9841 recommended**) with three data wires from controller to the power supply enclosure.





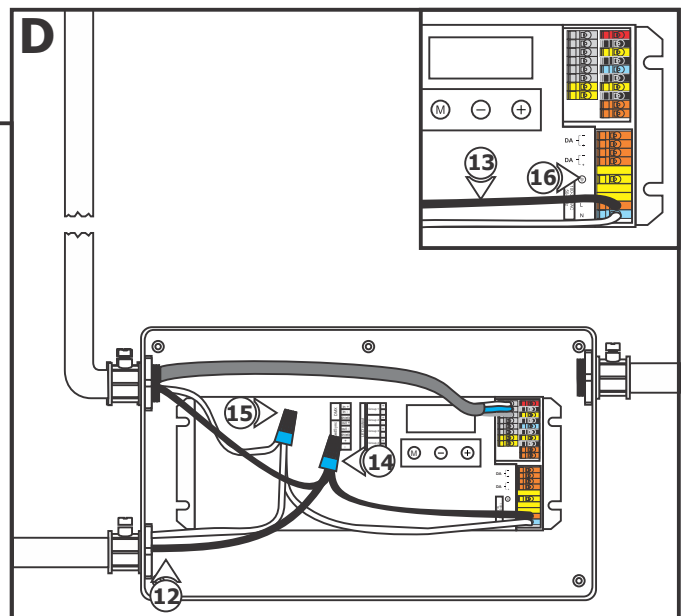
9: Connect one end of a data wire (blue with white stripes wire) to controller "LEDSYNC OUT -" terminal. Connect the other end into the DMX drive "DMX in -" terminal.

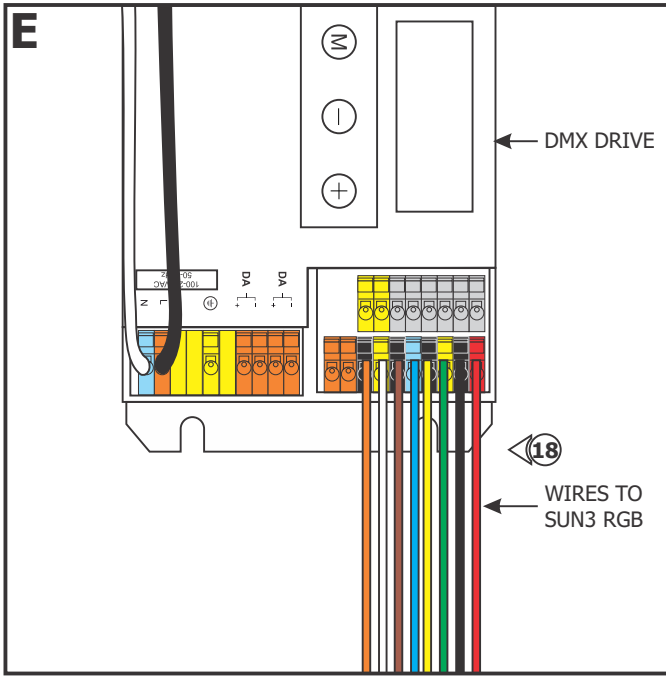
10: Connect one end of a data wire (white with blue stripes wire) to controller "LEDSYNC OUT +" terminal. Connect the other end into the DMX drive "DMX in +" terminal.

11: Connect one end of a data wire (bare shield wire) to controller "LEDSYNC SHIELD" terminal. Connect the other end into the DMX drive "DMX in shield" terminal.

NOTE: Do not use the DMX terminals on the controller.

- 12:** Run the line voltage power wires into the DMX driver enclosure.
- 13:** Connect 6" of #18AWG black & white pigtail wires to the line & neutral DMX driver terminals.
- 14:** Connect the black DMX driver pigtail wire to the black wire coming from the controller and to the hot wire with a wire nut.
- 15:** Connect the white DMX driver pigtail wire to the white wire coming from the controller and to the neutral wire with a wire nut.
- 16:** Make sure the DMX driver is grounded in accordance with local electrical codes, using the earth ground terminal on the DMX driver.





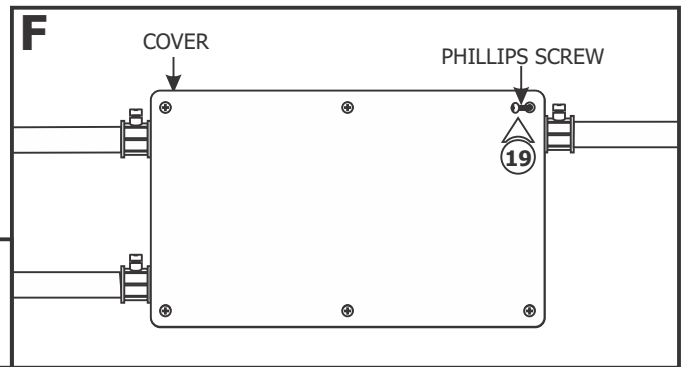
NOTE: The DMX Driver terminals accept maximum #18AWG wire. Use 6" pigtails of each color connecting to the DMX driver before choosing the proper gage wires connecting the driver to each fixture.

NOTE: Follow steps 1 through 11 in Section Two install the Sun3 Ceiling Housing first, before following the remaining steps below.

17: Run the proper pig tail wire colors (red, black, green, yellow, blue, brown, white, & orange) into the appropriate DMX terminals.

18: Connect the proper gage color wires to each pig tailed wire going to the Sun3 RGB fixture. Refer to the wiring diagram on Page 10 for reference.

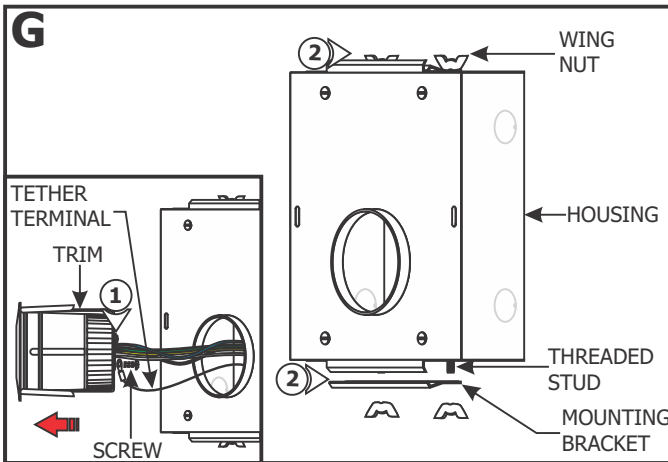
NOTE: Do not exceed the maximum wattage and distance of the DMX driver. Max 10 Sun3 RGB fixtures can be connected to the DMX driver.



19: Replace the DMX driver cover and secure it by tightening the six Phillips screws.

20: Follow the steps in Section Three to install drywall & trim.

Section Two: Install the Sun3 Ceiling Housing



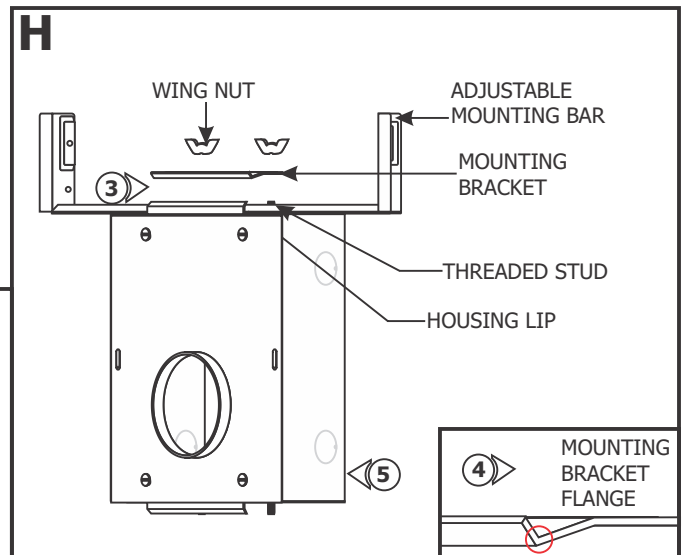
1: Carefully pull the trim out of the housing, and remove the Phillips screw on the tether terminal (safety cable) to release the trim.

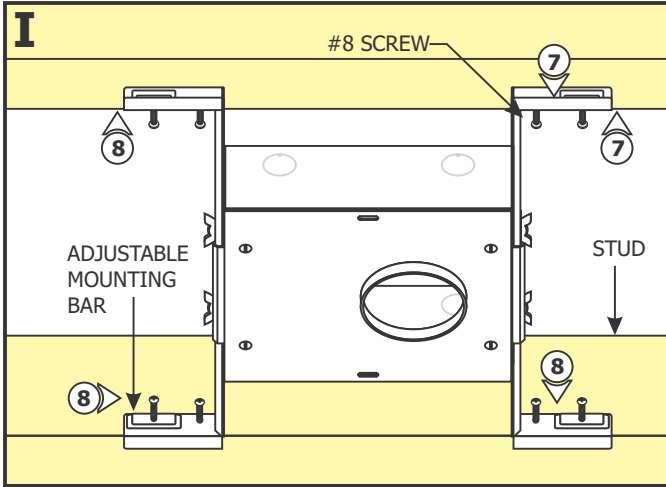
2: Loosen the two top and bottom wing nuts on the housing to remove the two mounting brackets.

3: Mount one adjustable mounting bar to the top of the housing by sliding it completely under the housing lip.

4: Replace the mounting bracket onto the threaded studs so that the flange faces the adjustable mounting bar. Tighten the wing nuts to secure the adjustable mounting bar in place.

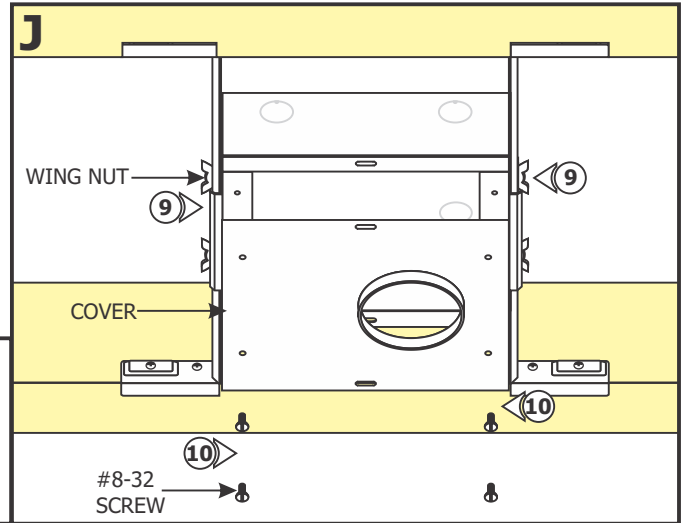
5: Repeat steps 2 through 4 for the bottom of the housing.



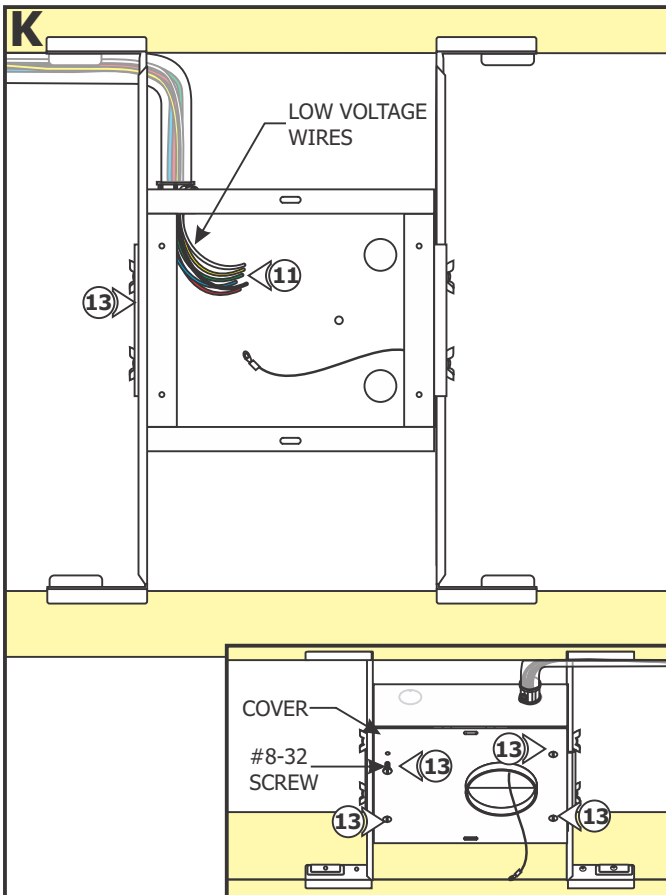


NOTE: The adjustable mounting bars mount to joist (stud) that are spaced 16" to 24" apart.

- 6:** Select the location between the two studs for the housing to be mounted.
- 7:** Place the adjustable mounting bars between the studs.
- 8:** Make sure the lips on the adjustable mounting bars are against the studs. Secure the adjustable bars to the studs with the provided eight #8 screws.



- 9:** Slide the housing to desired position. If necessary loosen the wing nuts to ease the sliding. After the desired position is achieved tighten all the wing nuts.
- 10:** Loosen the four #8-32 screws on the front of the housing, to remove the cover.

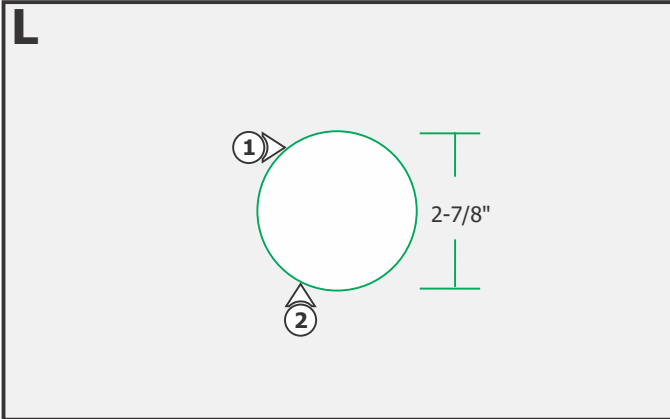


- 11:** Run the proper wire colors (red, black, green, yellow, blue, brown, white, & orange) wires to each housing.
- 12:** Make sure the DMX driver power is off.
- 13:** Mount the cover to the housing with the four #8-32 screws.

NOTE: Each Sun3 RGB should be connected to the next Sun3 RGB in series. The positive wires are the red, green, blue & white and the negative wires are black for red, yellow for green, brown for blue & orange for white. The positive wires of the closest Sun3 RGB to the DMX drive should be (red, green, blue, & white) connected to the proper DMX drive terminals. The negative wires (black, yellow brown & orange) of the last Sun3 RGB should be connected to the negative terminals (black color) of the DMX drive. Each Sun3 RGB should be connected together in series with black wires of the first Sun3 RGB connecting to the red wire of the next Sun3 RGB. The yellow wire of the first one to green wire of the next one, the white wire of the first one to the blue wire next one and similarly the orange wire of the first one to white wire of the next one. Refer to the wiring diagram on page 10.

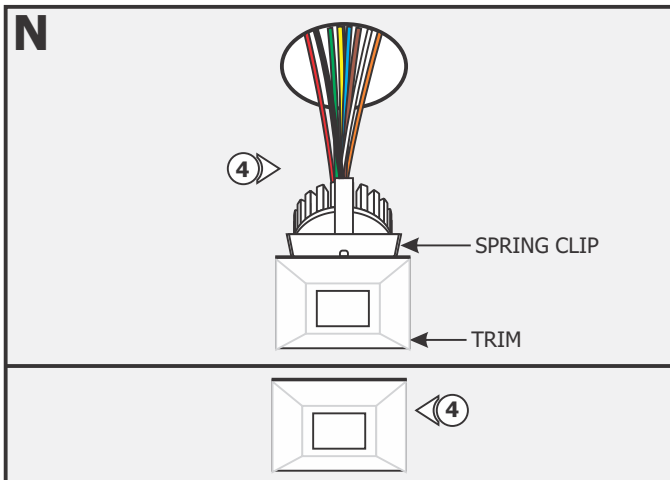
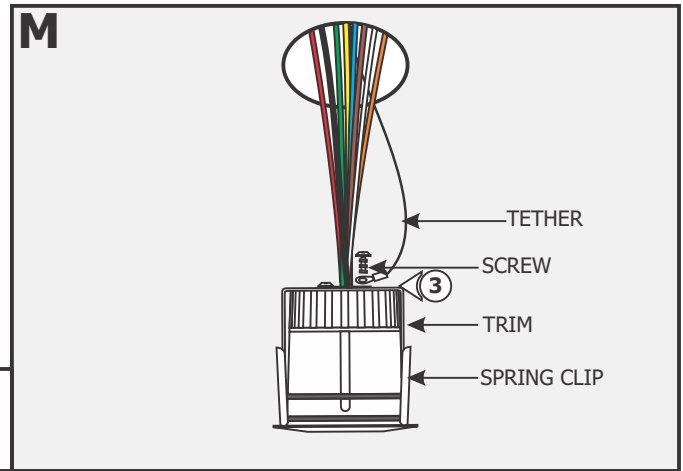
- 14:** Refer to the wiring diagram on page 10 for overall wiring.

Section Three: Install Drywall & Trim



- 1:** Mark a point on the drywall where the housing opening is going to be located.
- 2:** Cut out the marked drywall location with a 2-7/8" metal hole saw bit (refer to www.greenlee.com cat# 825-2-7/8).

- 3:** After installing drywall and finishing it, align the tether terminal to the trim tab and secure it by replacing the Phillips screw.



- 4:** Place all wires inside the housing and gently push the trim completely into the housing opening by squeezing the spring clips.

NOTE: Each fixture contains an integrated LED lamp. Each Sun3 consumes 10 watts.

Section Four: Programming Guide for DMX Driver

Pressing **M**

- Shows the current mode or the next menu item; use the M button to browse menus and settings without making any changes.
- Saves a changed value.
- Turns off the display at the last menu item.

Pressing **+ or -**

- Changes a value (which is only saved when M is pressed).

Accidentally changed a value but haven't confirmed it yet by pressing M? By refraining from pressing the buttons for at least 8 seconds, the display will turn itself off without changing the value.

If you are in a menu and want to change to another menu, refrain from pressing the buttons for at least 8 seconds so the display turns off, and subsequently press the button combination for the menu you want to change to.

1: Set mode of operation: color or show mode for standalone operation, DMX or DALI mode for networked operation:
Press **M** for 5 sec.

2: Set LED output current (if applicable*) and LED group configuration:

Press **M + +**

- The value increases by 50mA. Set the output current to **700mA**.
- Set the LED groups to **1-1L RGB**.
- To automatically configure the POWERdrive's LED outputs using LEDcode:
Get your configuration code from www.ledcode.com
- Enter the configuration code - your LEDcode - in the LEDcode menu:
Press **M + -**

3: Configure or view the operation mode you have set (Color, Show, DMX, DALI):

Press **M**

4: Optional: Do a test run of the connected LEDs:

Press **M + - + +**

Hard or soft lock the configuration:

Press **M + +** for 5 seconds.

Reset for factory defaults:

Press **M + - + +** for 5 seconds.

For more information or to see the driver's various menus, visit www.eldoled.com.

Section Five: Operation Guide for CDP Controller

Selecting Modes

Configure your CDP Controller by setting the DIP switches on the front:



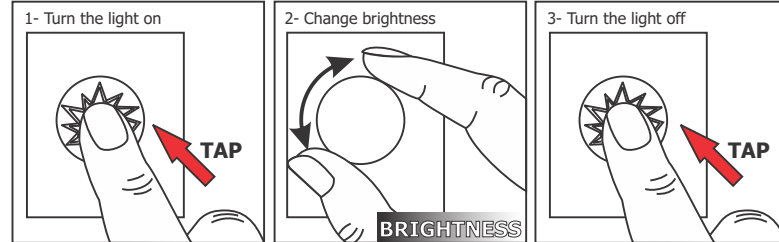
COLOR MODE



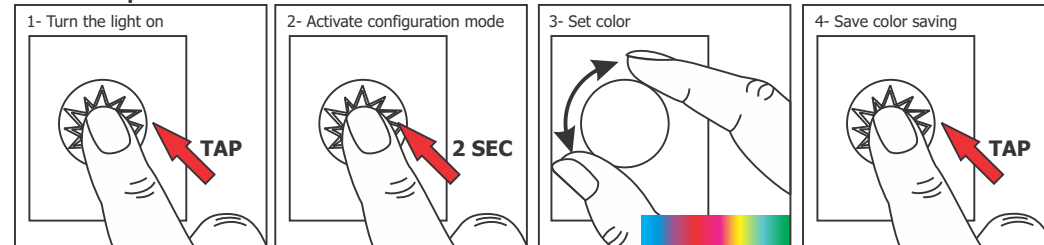
CHASE MODE

NOTE: The DIP switches must remain accessible after installation. When making changes in the DIP switch settings, disconnect and reconnect the power supply to activate new settings.

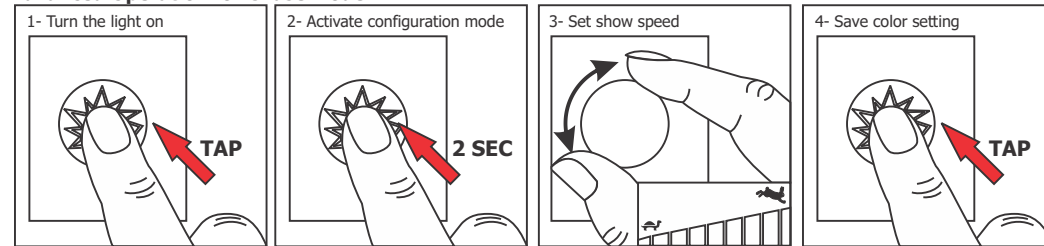
Operating Controller



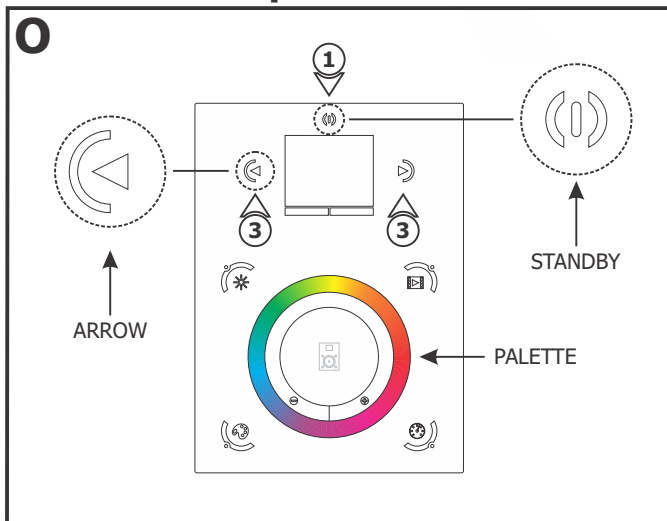
Advanced Operation for Color Mode



Advanced Operation for Chase Mode



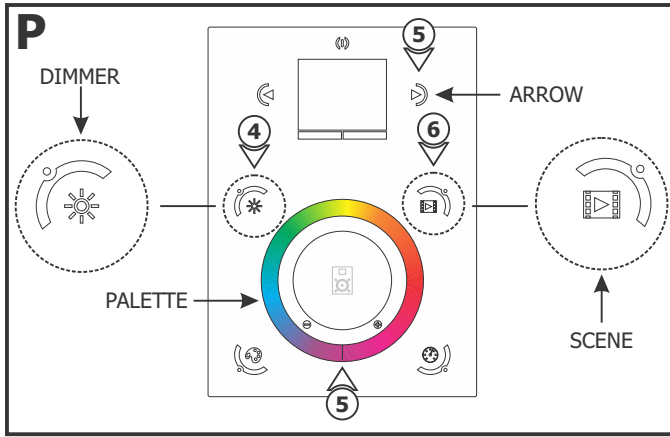
Section Six: Operation Guide for CTP Controller



NOTE: Reference the provided CD or manufacture's instructions for programming the controller or visit <https://www.nicolaudie.com/stick-de3.htm>

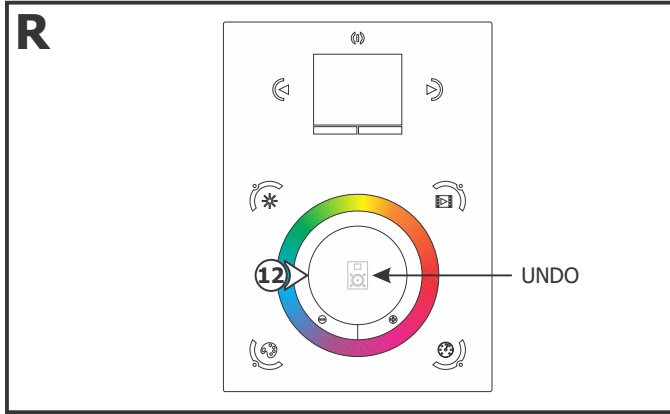
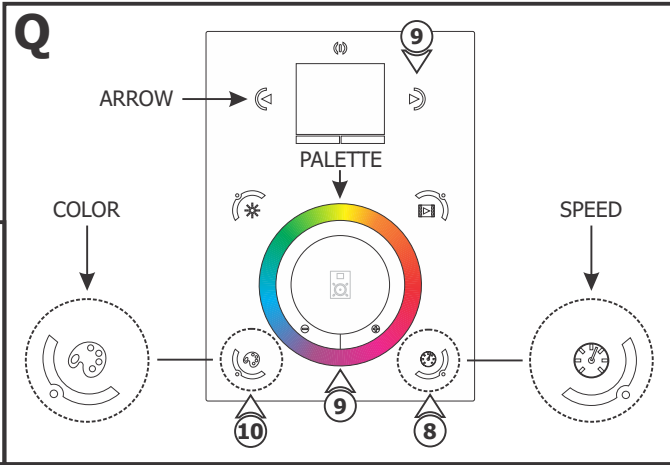
NOTE: The controller is a soft action device, expect two seconds response time.

- 1:** Press the Standby to turn the device on and off.
- 2:** Hold the Standby button for 3 seconds to access the Settings Menu.
- 3:** Use the Arrows or the Palette to scroll through the Settings Menu.



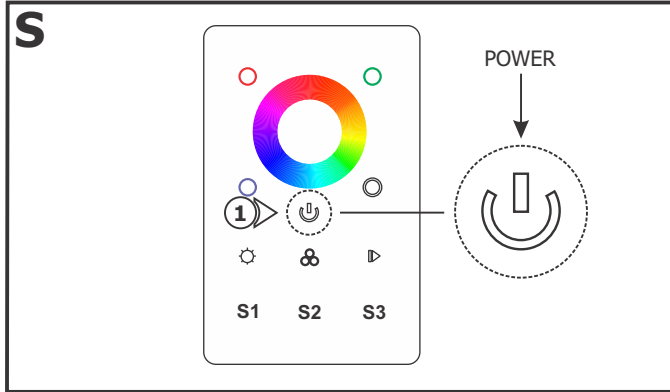
- 4:** Press the Dimmer button to activate the dimming mode.
- 5:** Use the Arrows or Palette to dim up or dim down the scene.
- 6:** Press the Scene button to activate the scene mode.
- 7:** Use the Arrows or Palette to scroll through preset scenes.

- 8:** Press the Speed button to activate the speed mode.
- 9:** Use the Arrows or Palette to adjust the speed of preset shows.
- 10:** Press the Color button to activate the Color mode.
- 11:** Use the Arrows or Palette to change the color of the scene.



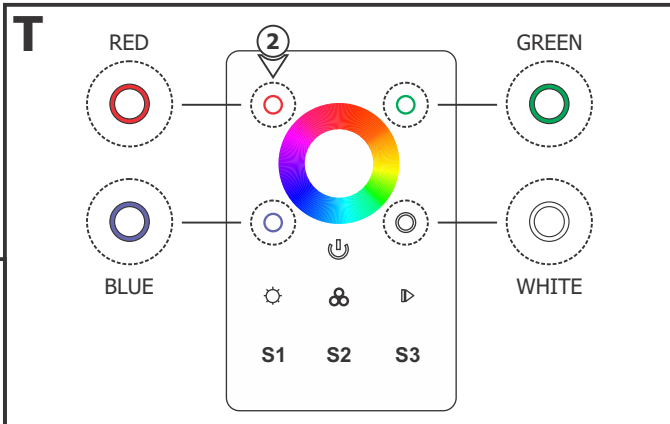
- 12:** Tap the center button to undo the most recent action. Press and hold the center button to reset the scene.

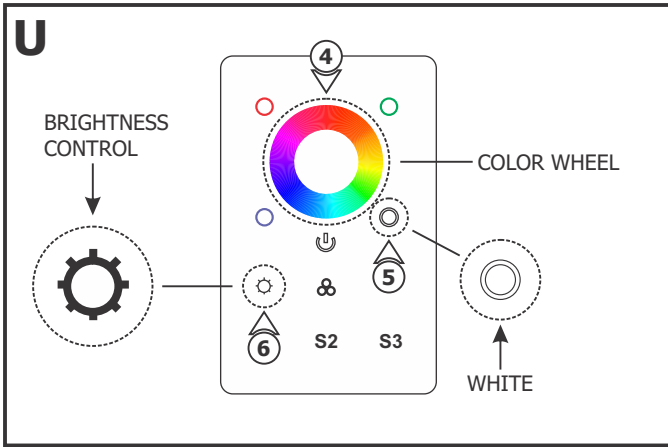
Section Seven: Operation Guide for CDMX1 Controller



- NOTE:** The controller is a soft action device, expect two seconds response time.
- 1:** Press the Power button to turn the device on and off.

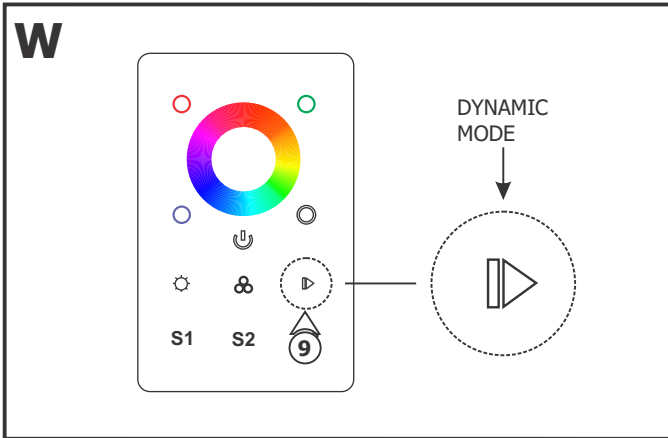
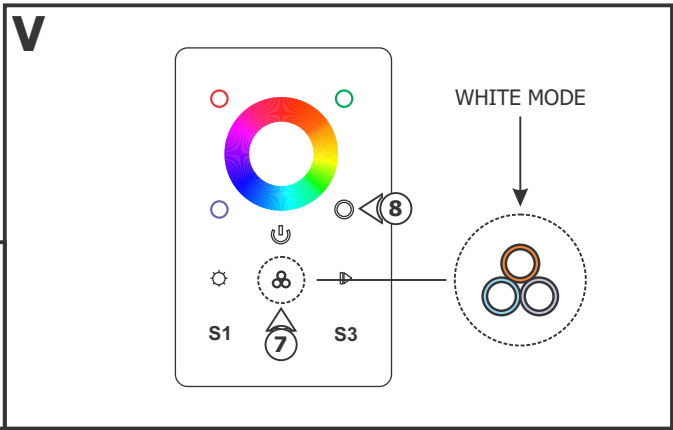
- 2:** Press the Red, Green, Blue, or White (this does not apply for RGB) button to turn each color on and off independently or together.
- 3:** To adjust the brightness of each color, press and hold the color button.





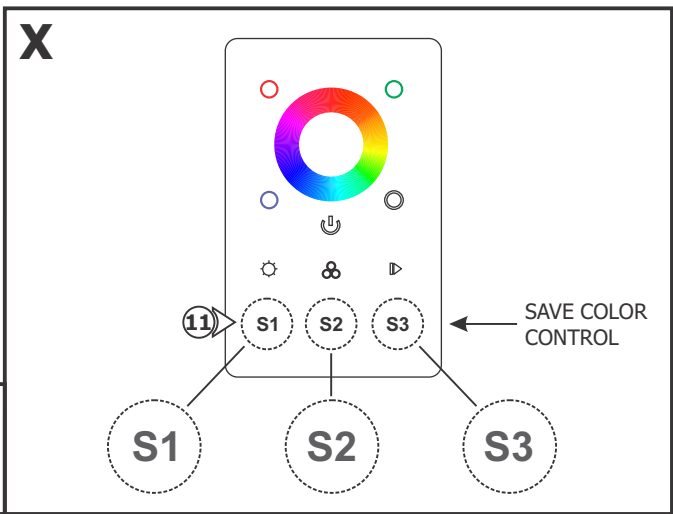
- 4:** Scroll through the color wheel to set a specific color.
- 5:** Add white color to the color mix if necessary (only RGBW).
- 6:** Press and hold the Brightness Control button to dim down or dim up the color mix.

- 7:** For RGB only, choose one of the three settings of warm, neutral and cool white by pressing the white mode button repeatedly.
- 8:** Choose additional white by pressing the white button (only RGBW).



- 9:** Press the Dynamic Mode button for a preset show mode. Once the mode is desired then press again to hold that mode.
- 10:** Press and hold the Dynamic Mode button to adjust the speed of the colors changing.

- 11:** Press and hold S1, S2, or S3 for over two seconds to save settings.
- 12:** Tap once to activate the saved setting.



Wiring Diagram

