

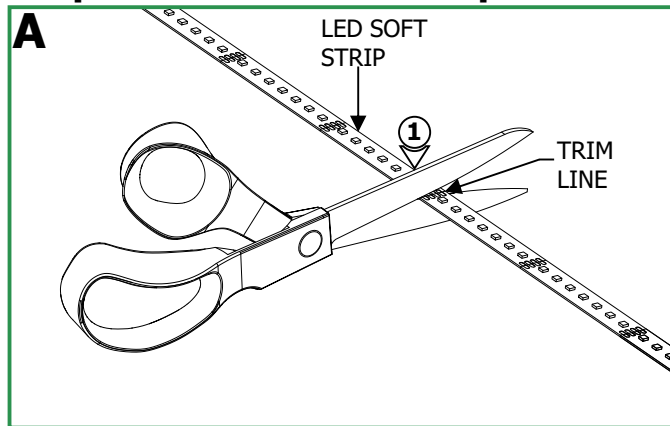
Installation Instructions for Soft Strip Snap & Light Connectors

IMPORTANT INFORMATION

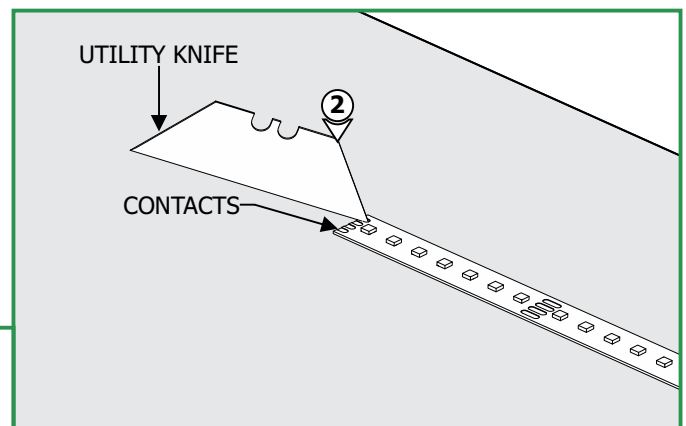
- This product is for indoor locations.
- These instructions show typical installations.

SAVE THESE INSTRUCTIONS!

Section One: Prepare the LED Soft Strip

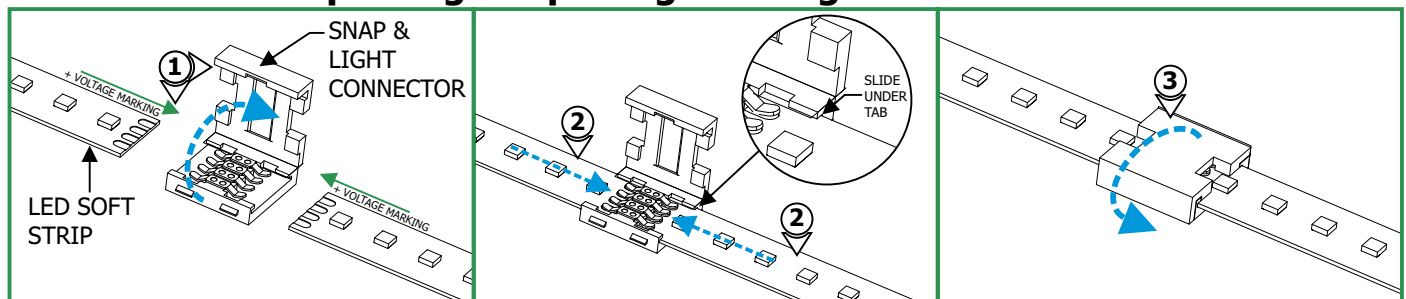


- 1:** Trim lengths of LED Soft Strip to be connected as required along the marked cutting lines. **ONLY** cut LED Soft Strip along these marked lines. Cuts made elsewhere will damage the strip.



- 2:** Place the LED Soft Strip on a flat, stable surface. Using a utility knife, carefully scrape the protective coating from the contacts.

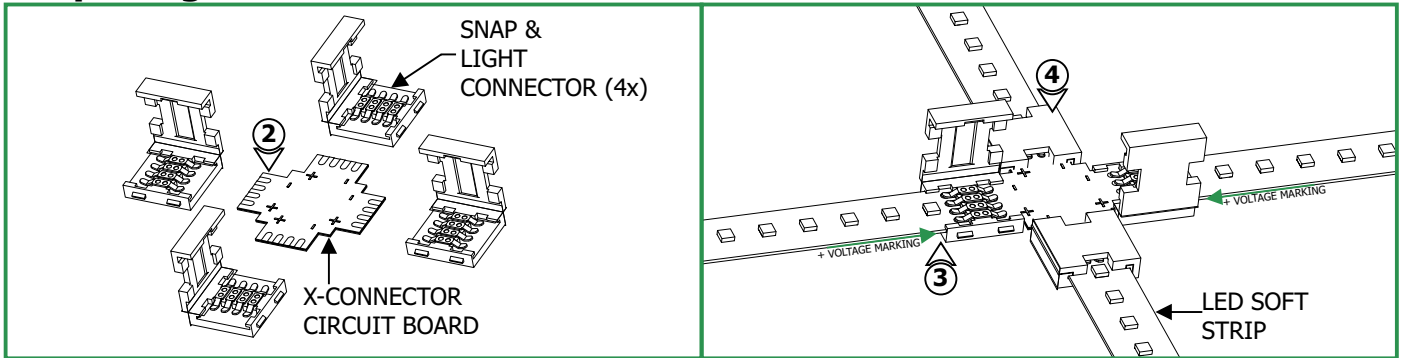
Section Two: Connect Soft Strip Using Snap & Light Straight Joiner Connector



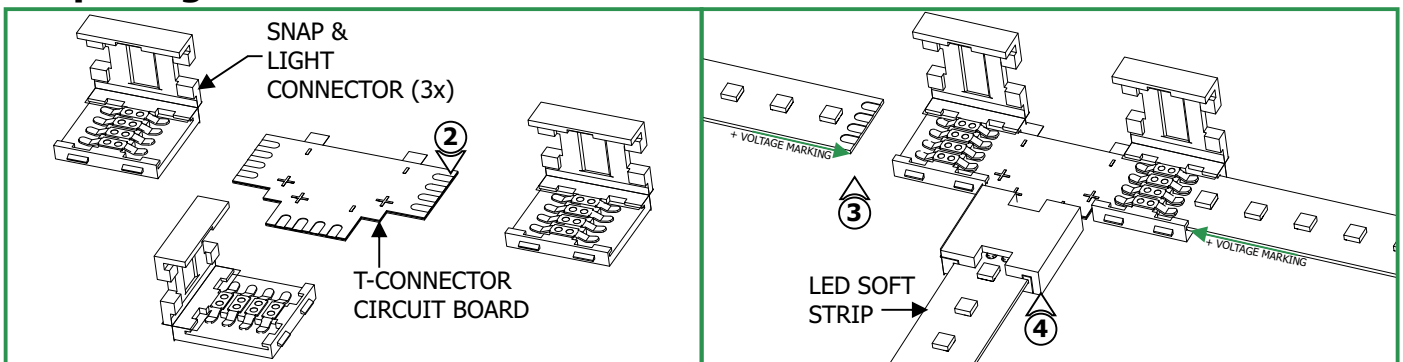
- 1:** Open the Snap & Light connector. Align the LED soft strip so that the positive voltage markings (+12VDC or +24VDC) match.
- 2:** Insert the sections of LED soft strip completely into the Snap & Light connector. Ensure the Soft Strip contacts align fully with the contact pins and is seated under the alignment tabs.
- 3:** Close the Snap & Light cover and ensure it snaps securely into place.

Section Three: Connect Soft Strip Using Snap & Light X, T, or L Joiner Connectors

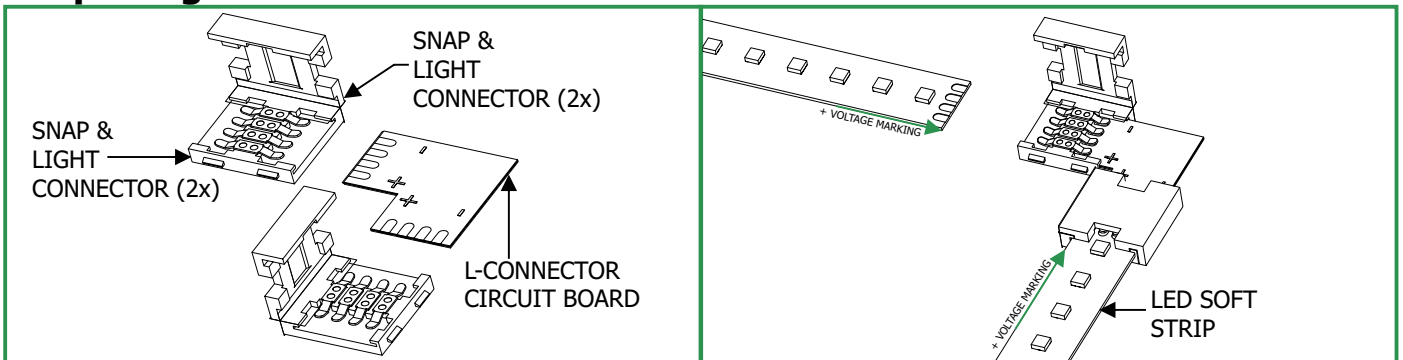
Snap & Light X Joiner Connector



Snap & Light T Joiner Connector

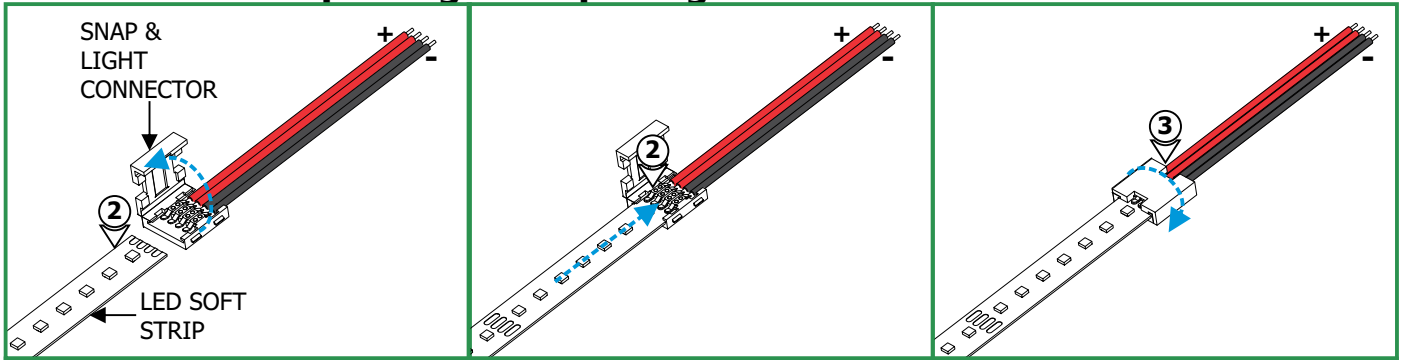


Snap & Light L Joiner Connector



- 1:** Follow the steps in Section 1 to prepare each run of LED Soft Strip to be joined
- 2:** Slide one open Snap & Light connector on to each arm of a T, X, or L connector circuit board. Ensure the Snap & Light contacts are fully seated onto the connector.
- 3:** Insert the sections of LED soft strip completely into each Snap & Light connector. Align the positive and negative markings on each LED Soft Strip section with the corresponding markings on the Snap & Light connector. Ensure the Soft Strip contacts align fully with the contact pins.
- 4:** Close the Snap & Light covers and ensure they snap securely into place.

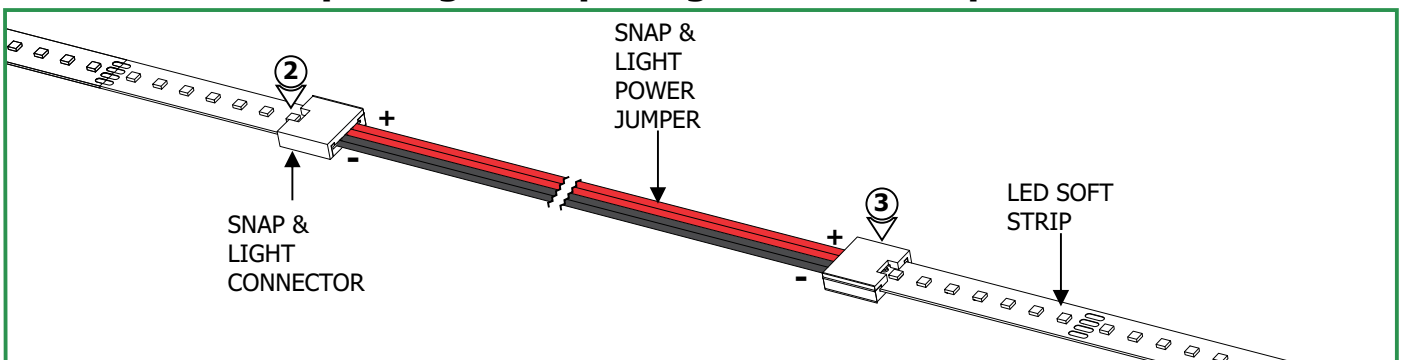
Section Four: Connect Soft Strip Using A Snap & Light Power Connector



NOTE: Snap & Light Power Connectors connect to the cut end of white or RGB Soft Strip, conducting power from a remote power supply.

- 1: Follow the steps in Section 1 to prepare the section of LED Soft Strip to be joined
- 2: Insert the sections of LED soft strip completely into each Snap & Light connector. Align the positive voltage markings on each LED Soft Strip section with the red wires on the Jumper Connector. Ensure the Soft Strip contacts align fully with the contact pins.
- 3: Close the Snap & Light covers and ensure they snap securely into place.

Connect Soft Strip Using A Snap & Light Power Jumper Connector



NOTE: Snap & Light Power Jumper Connectors join two cut sections of white or RGB Soft Strip end-to-end 8 inches or 8 feet away from each other.

- 1: Follow the steps in Section 1 to prepare each run of LED Soft Strip to be joined
- 2: Insert the sections of LED soft strip completely into each Snap & Light connector. Align the positive voltage markings on each LED Soft Strip section with the red wires on the Jumper Connector. Ensure the Soft Strip contacts align fully with the contact pins.
- 3: Close the Snap & Light covers and ensure they snap securely into place.