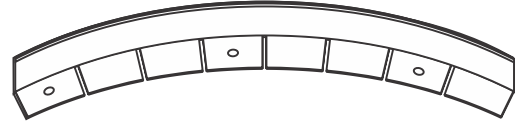


Installation Instructions for Flexible L Shaped Heat Sink Reflector

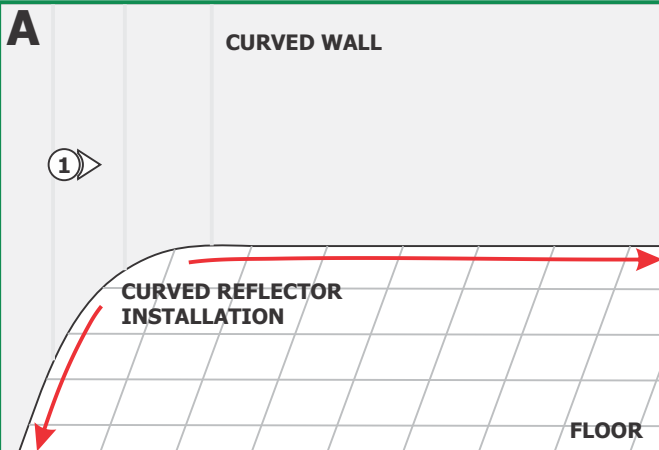
IMPORTANT INFORMATION

- This product can be mounted as floor reflector or ceiling reflector.
- This installation shows a typical floor installation.

SAVE THESE INSTRUCTIONS!



Install the Reflector

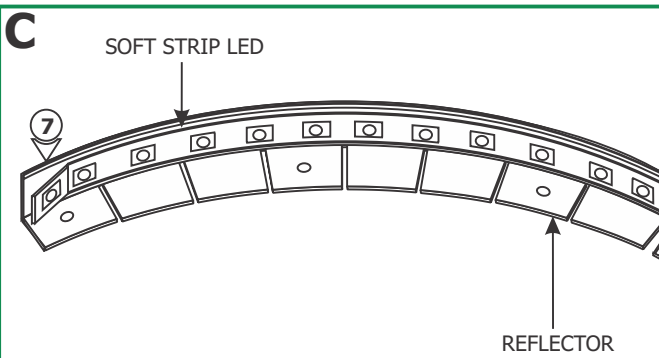
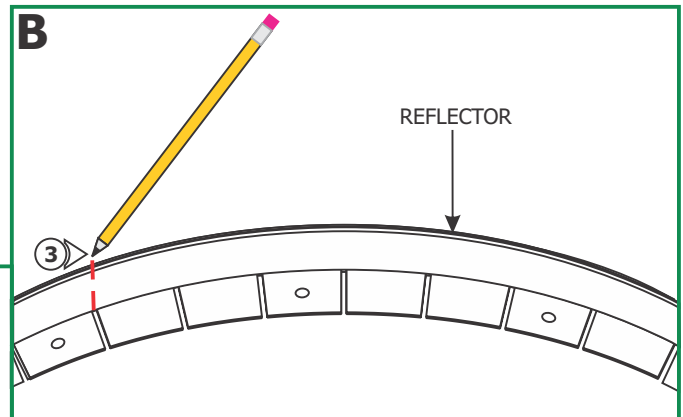


1: Determine the location where the reflector will be installed.

2: Using a tape measure determine the reflector size (A).

NOTE: For sections longer than 3ft use multiple flexible heat sinks.

- 3:** If necessary, mark the size of the reflector.
- 4:** Cut the excess reflector.
- 5:** Clean the burrs around the the cut sections.



NOTE: Avoid bending the soft strip in sharp horizontal angles which may damage the LEDs. Use the proper power connectors.

- 6:** Clean the area thoroughly on the reflector where the soft strip LED will be installed.
- 7:** Remove the backing from the soft strip LED and firmly press down making sure there are no air bubbles that can cause surface irregularities.

- 8:** Secure the reflector to the surface using the provided #6 screws.
- 9:** Refer to the power supply instructions to power the LED soft strip.

