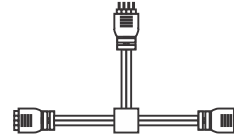


Installation Instructions for Flexible "T" Connector

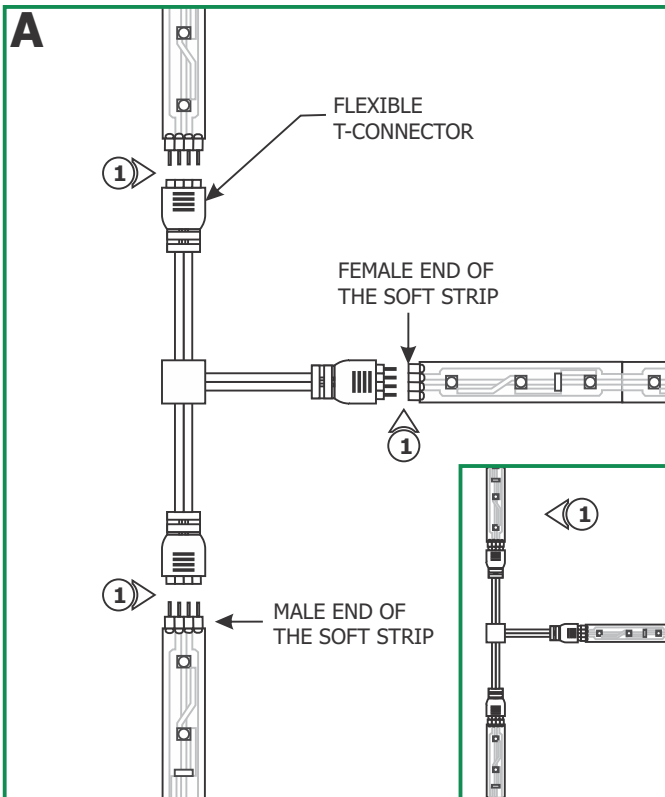
IMPORTANT INFORMATION

- These products are ETL Listed for indoor locations.

SAVE THESE INSTRUCTIONS!



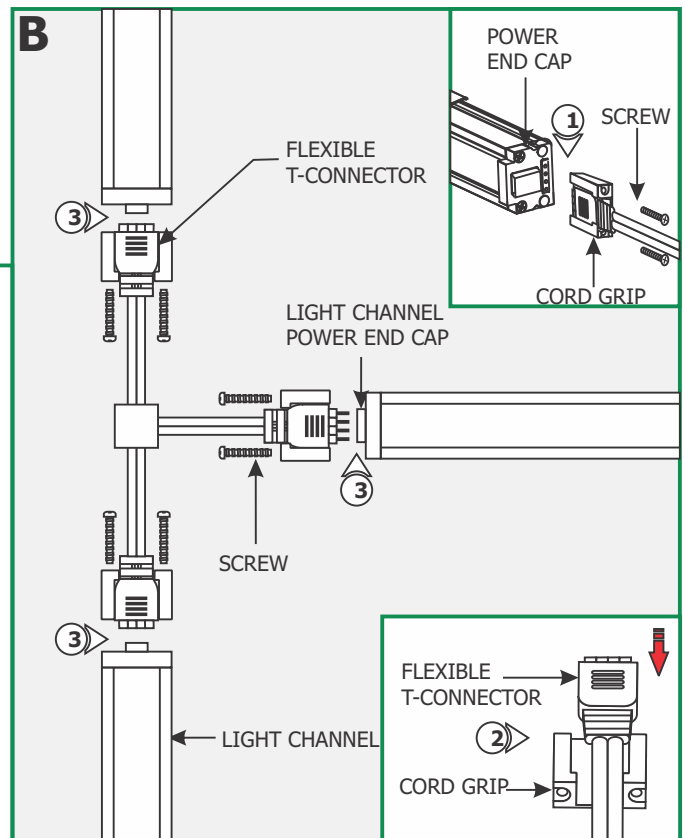
Installing the Flexible "T" Connector to Soft Strips



NOTE: The straight ends of the Flexible "T" connector plug into male ends of the Soft Strips and the perpendicular end plugs into female end of a Soft Strip. Make sure this fits to the design before Installing the Soft Strips and Flexible "T" connector.

- 1: Simply connect the proper side of the Soft Strip to the Flexible "T" connector. Refer to the installation provided to the installation instruction provided with the Soft Strip to complete the installation.

Installing the Flexible "T" Connector to Light Channel



NOTE: The straight ends of the Flexible "T" connector plug into male ends of the Light Channels and the perpendicular end plugs into female end of a Light Channel. Make sure this fits to the design before Installing the Light Channels and Flexible "T" connector.

- 1: For each Light Channel, remove the bottom two screws of the end that is going to be connected to the Flexible "T" connector.
- 2: Place the Flexible "T" connectors ends into the cord grips (provided with the Light Channel).
- 3: Push the each Light Channel onto the one end of the Flexible "T" connector. Tighten the cord grip to the end of the Light Channels with the two Phillips screws (provided with the cord grips).
- 4: Refer to the installation instructions provided with the Light Channel to complete installation.