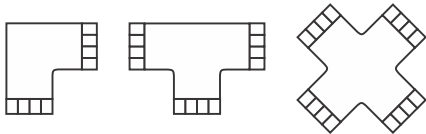


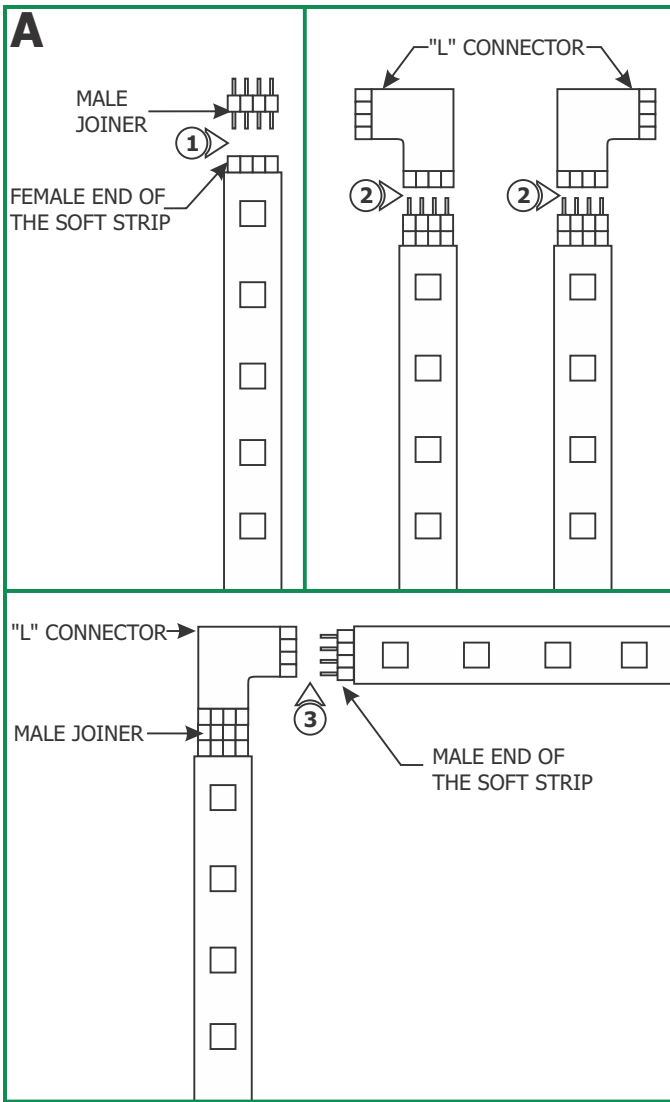
# Installation Instructions for "L", "T", & "X" Soft Strip Connectors

**IMPORTANT INFORMATION**  
- These products are ETL Listed for indoor locations.

**SAVE THESE INSTRUCTIONS!**

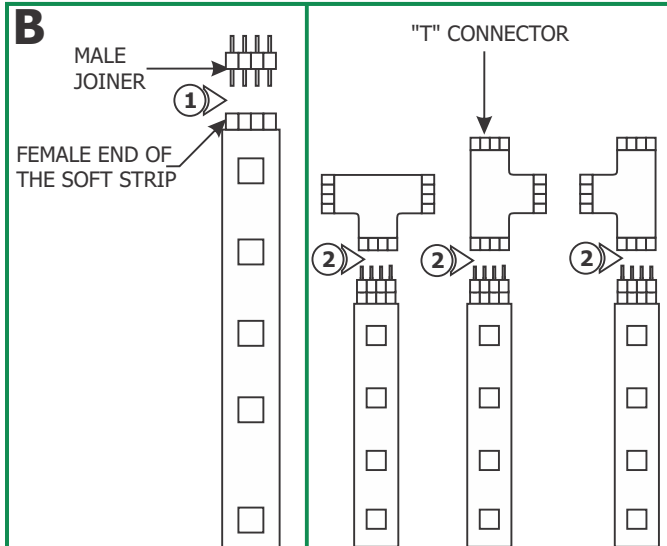


## Installing the "L" Soft Strip Connector



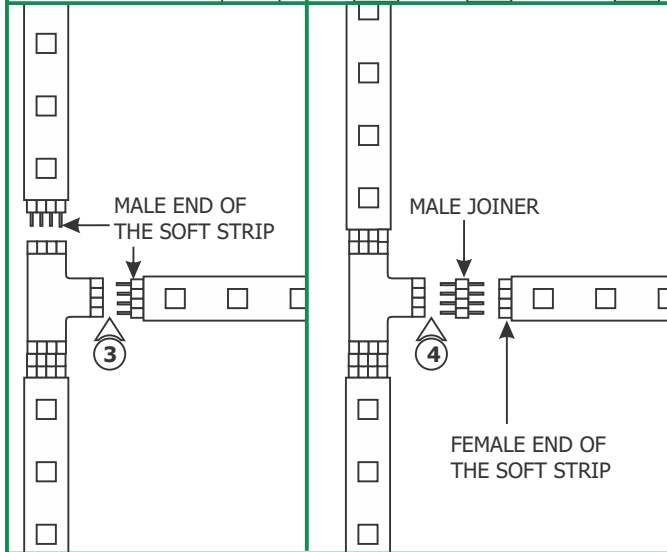
- 1:** Push the male joiner (provided with the "L" connector) into the female end of the Soft Strip.
- 2:** Based on direction of the next Soft Strip, connect one end of the "L" connector onto the male joiner.
- 3:** Connect the male end of the other Soft Strip into the other end of the "L" connector.
- 4:** Refer to the Soft Strip instructions to complete the installation.

# Installing the "T" Soft Strip Connector

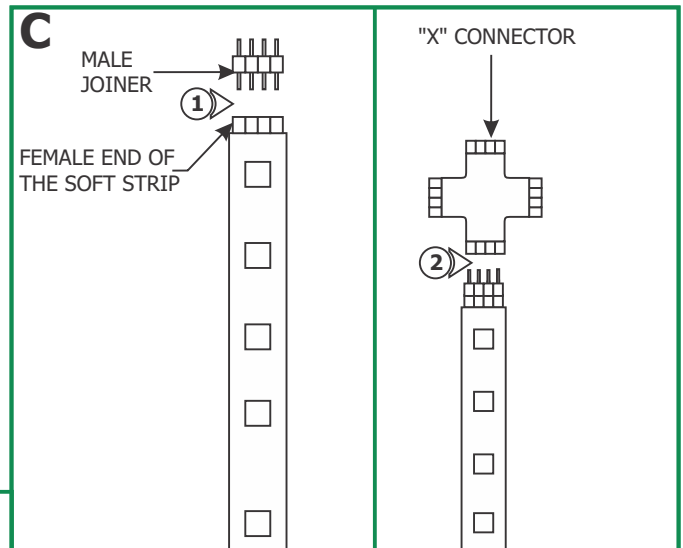


**NOTE:** Before removing the backing and applying the Soft Strips to the desired surface, connect them to the "T" directional connector making sure all Soft Strips light up as explained in the steps below.

- 1: Push one of the male joiners (provided with the "T" connector) into the female end of the Soft Strip.
- 2: Based on the direction of the next two Soft Strips, connect one end of the "T" connector onto the male joiner.
- 3: Connect the male end of the other Soft Strips into the ends of the "T" connector.
- 4: In case one of the two Soft Strips does not turn on, then disconnect and reconnect the other end (female end) to the "T" connector by using the additional male joiner.
- 5: Refer to the Soft Strip instructions to complete the installation.



# Installing the "X" Soft Strip Connector



**NOTE:** Before removing the backing and applying the Soft Strips to the desired surface, connect them to the "X" directional connector making sure all Soft Strips light up as explained in the steps below.

- 1: Push one of the male joiners (provided with the "X" connector) into the female end of the Soft Strip.
- 2: Connect one end of the "X" connector onto the male joiner.
- 3: Connect the male end of the other three Soft Strips into the ends of the "X" connector.
- 4: In case one of the three Soft Strips does not turn on, then disconnect and reconnect the other end (female end) to the "X" connector by using the additional male joiner (provided with the "X" connector).
- 5: Refer to the Soft Strip instructions to complete the installation.

