



1718 W. Fullerton Chicago, IL 60614
 Ph: 773.770.1195 • Fax: 773.935.5613
 www.PureEdgeLighting.com • info@PureEdgeLighting.com
 © 2016 PureEdge Lighting. All Rights Reserved.

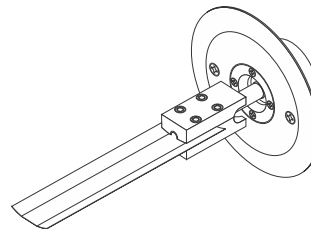
Installation Instructions for **Soft Line**

SL_-24V_-

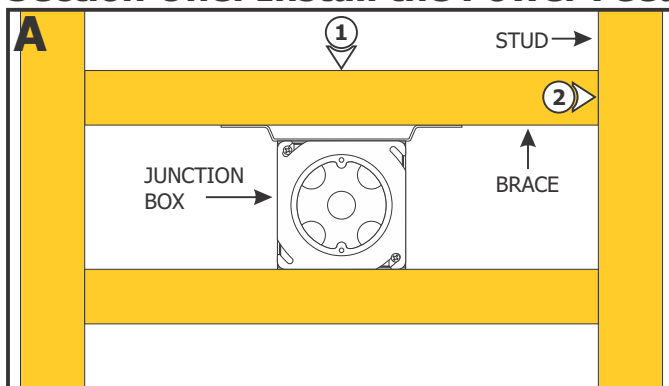
IMPORTANT INFORMATION

- This instruction shows a typical installation.
- This product is ETL listed.

SAVE THESE INSTRUCTIONS!



Section One: Install the Power Feed Turnbuckle

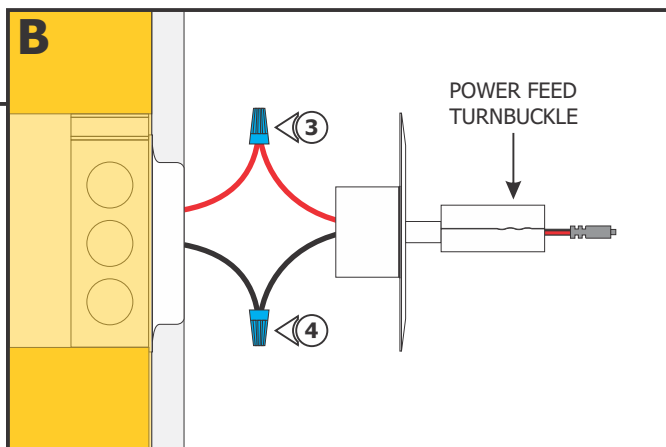


NOTE: Ensure the junction box is mounted to a solid structure such as brick, cement, or wood studs.

- 1: Cut a 16" long 2x4 brace and secure the junction box to the brace with screws. If necessary, place a second brace under the junction box for more stability.
- 2: Locate and secure the brace between the studs where the turnbuckles will be mounted.

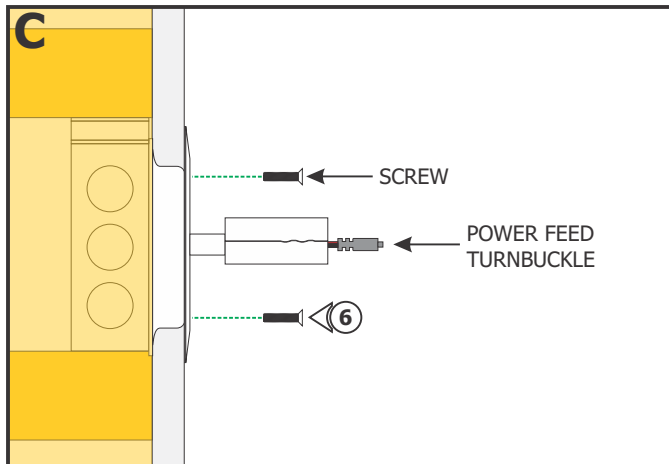
NOTE: The low voltage wires should be present in the electrical box. Refer to the instructions provided with the power supply to install the low voltage wires before proceeding with the steps below.

- 3: Connect the red power feed turnbuckle wire to the red power supply wire with a wire nut.
- 4: Connect the black power feed turnbuckle wire to the black power supply wire with a wire nut.
- 5: Place all wires inside the electrical box.

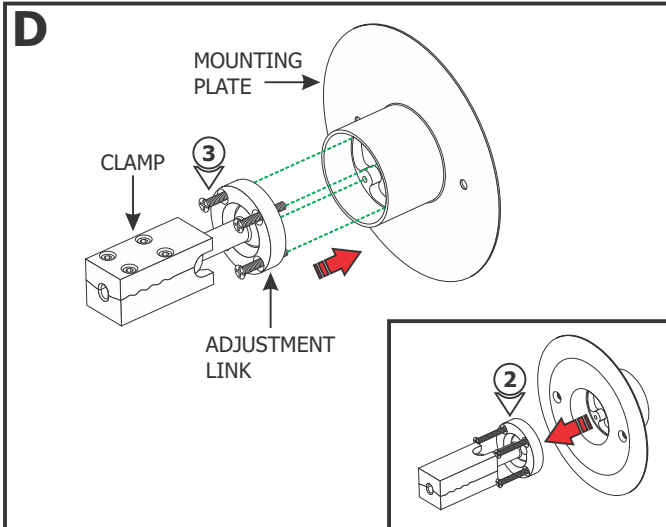


- 6: Secure the power feed turnbuckle to the electrical box by tightening the two provided screws.
- 7: Determine the location for the other power feed turnbuckle, either face to face with the first turnbuckle (up to 40 feet away) or diagonal up to 120° from the power feed turnbuckle.
- 8: Repeat steps 1 through 6 for any additional Power Feed Turnbuckle.

CAUTION: Unroll the entire LED strip from the reel and use the power connector to power the strip making sure there is no outage before continuing with the installation. Afterwards, carefully roll the LED strip loosely back into the reel.



Section Two: Install the Non-Power Feed Turnbuckle



NOTE: Ensure the turnbuckle is mounted to a solid structure such as brick, cement, or wood studs.

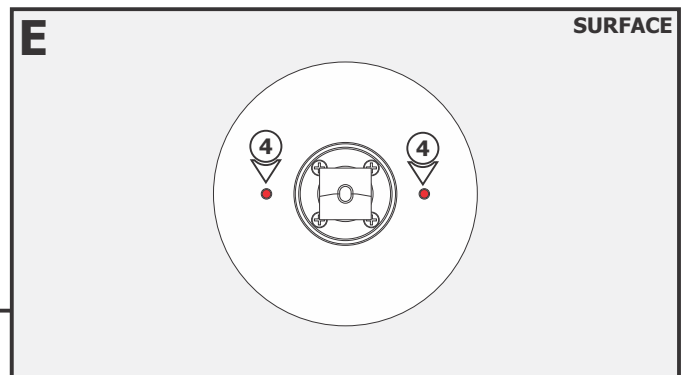
1: Determine the location for the non-power feed turnbuckle, either face to face with the power feed turnbuckle (up to 40 feet away) or diagonal up to 120° from the power feed turnbuckle.

NOTE: Choose one of the two options to install the non-power feed turnbuckle.

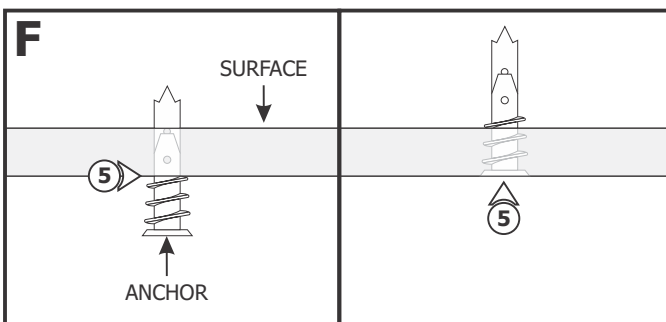
Option A:

2: Remove the four screws from the turnbuckle mounting plate and remove the clamp and adjustment link.

3: Insert the clamp and adjustment link on the other side of the mounting plate and secure with the four screws.



4: Place the turnbuckle against the surface and mark the two screw holes.

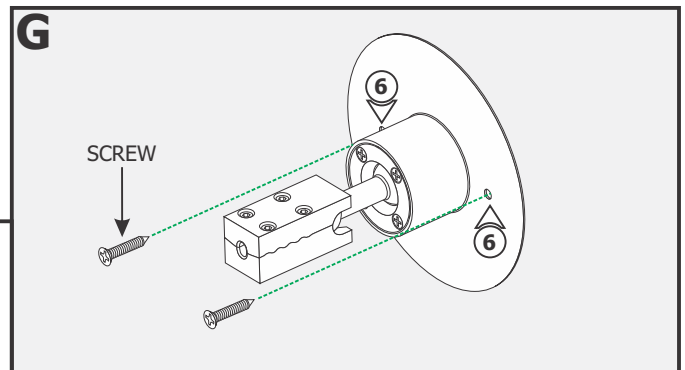


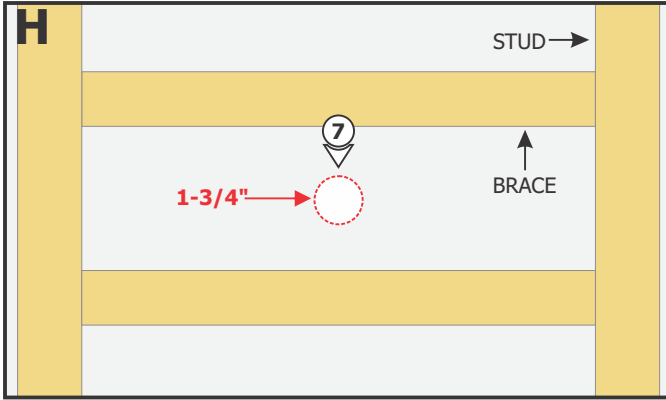
NOTE: Omit step 5 if installing to a wood surface.

5: Tap the anchors onto the marked points up to the threaded portion with a hammer. Screw in the threaded portion of the anchors with a Phillips screwdriver.

6: Align the holes with the turnbuckle and secure it in place with the two #8 screws.

NOTE: The Soft Line turnbuckle rotates maximum 60 degrees in any direction allowing the Soft Line to be installed diagonally.

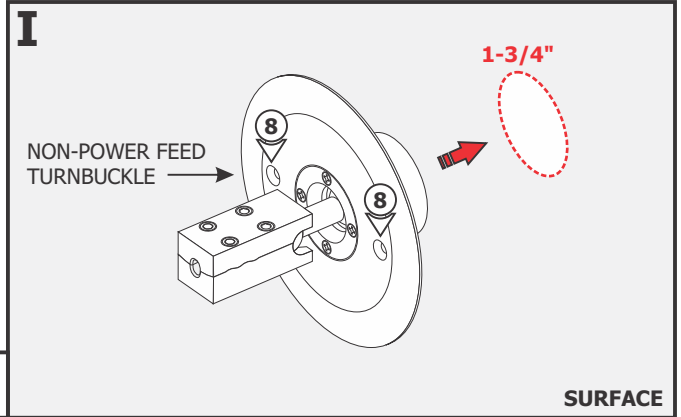




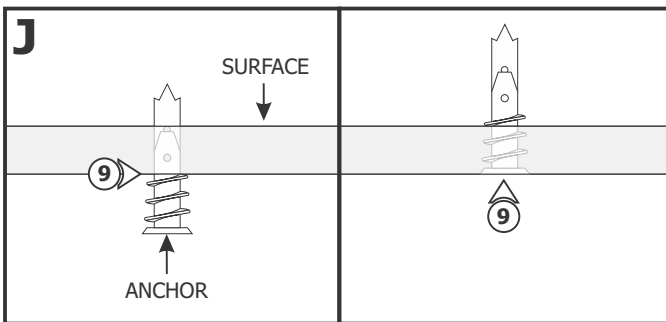
NOTE: Ensure the turnbuckle is mounted to a solid structure such as brick, cement, or wood studs.

Option B:

7: Use only a 1-3/4" circular saw to cut out the drywall where the turnbuckle is going to be installed.



8: Place the turnbuckle into the hole and mark the two screw holes.

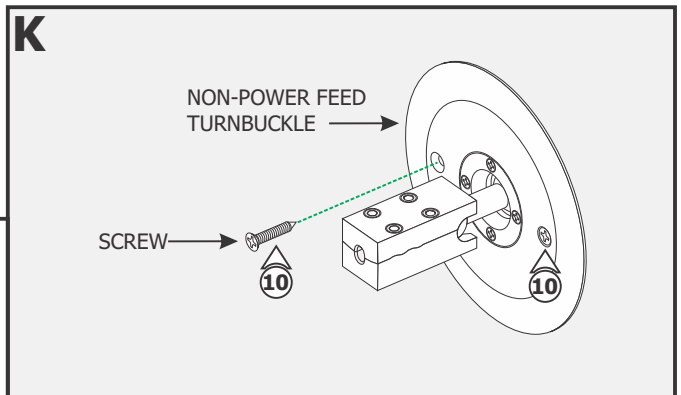


NOTE: Omit step 9 if installing to a wood surface.

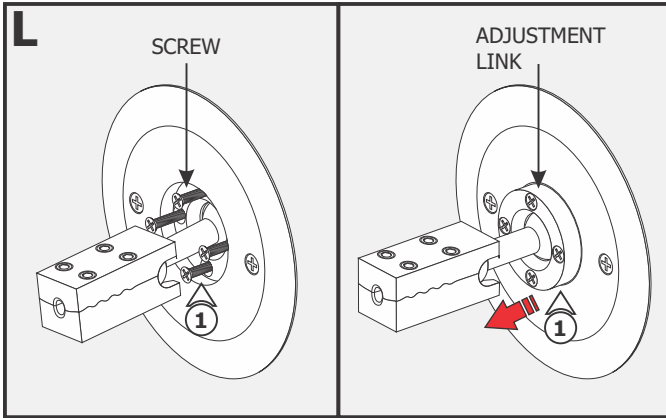
9: Tap the anchors onto the marked points up to the threaded portion with a hammer. Screw in the threaded portion of the anchors with a Phillips screwdriver.

10: Push the non-power feed turnbuckle into the 1-3/4" cutout hole. Align the holes with the turnbuckles and secure it in place with the two #8 screws.

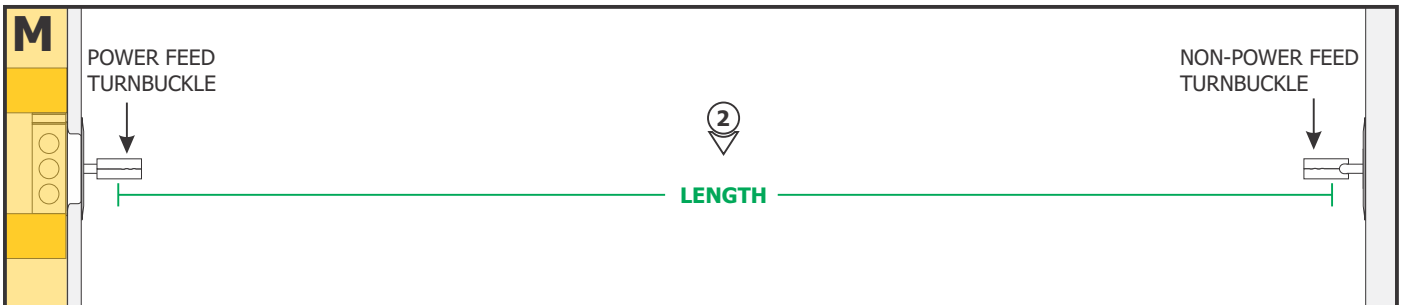
NOTE: The Soft Line turnbuckle rotates maximum 60 degrees in any direction allowing the Soft Line to be installed diagonally.



Section Three: Install the Soft Line Channel

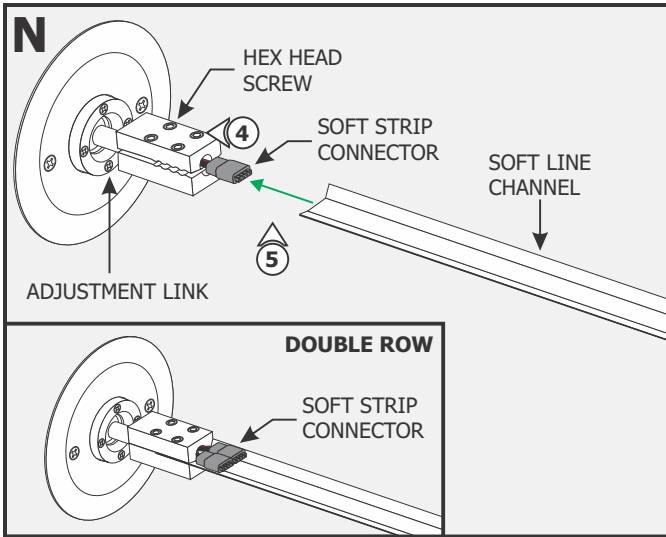


1: Loosen (**Do Not Remove**) the four Phillips screws on the adjustment link of each turnbuckle and pull the turnbuckle with the adjustment link out for maximum adjustments.



2: Measure the distance between the Turnbuckles hex head screws to determine the Soft Line length.

3: Cut the Soft Line channel to determined length.

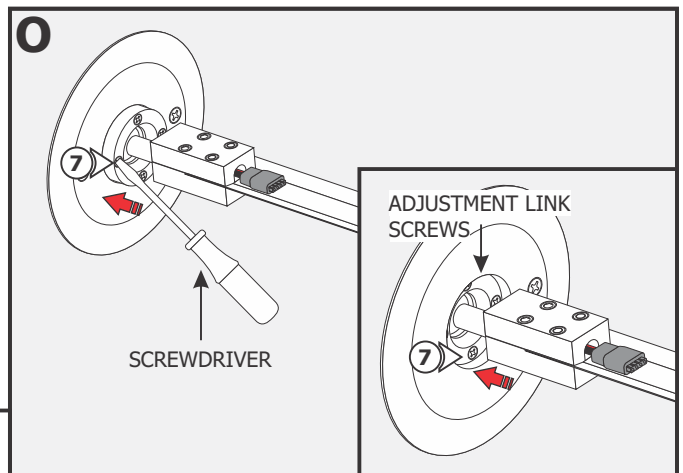


4: Slightly loosen the hex head screws on each turnbuckle with the provided Allen wrenches.

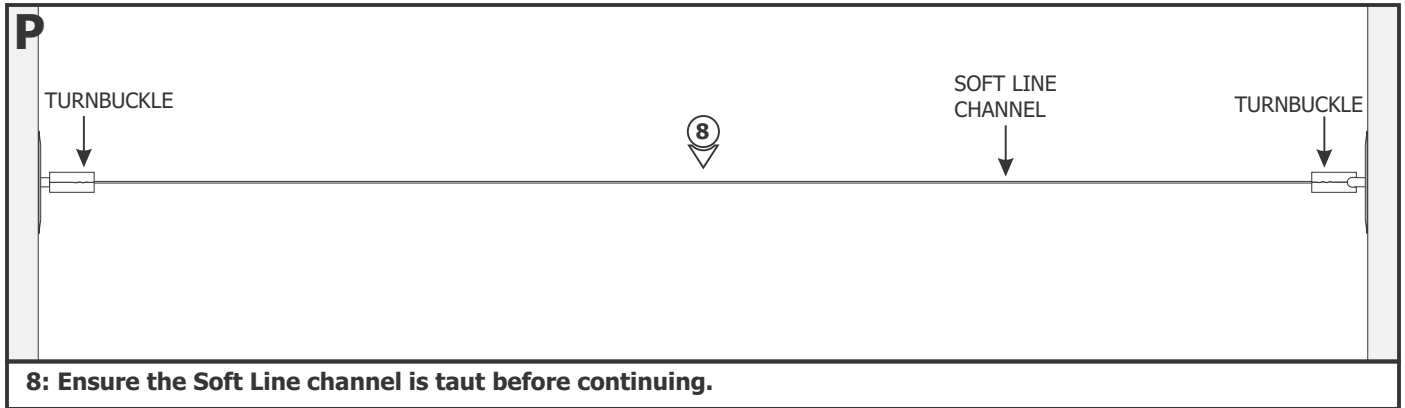
NOTE: The Soft Line must be inserted completely in line with turnbuckles to hold the tension.

5: Carefully insert the Soft Line channel, with the power connector exposed, into the power feed turnbuckle making sure to fasten the hex head screws very tight with provided Allen wrench.

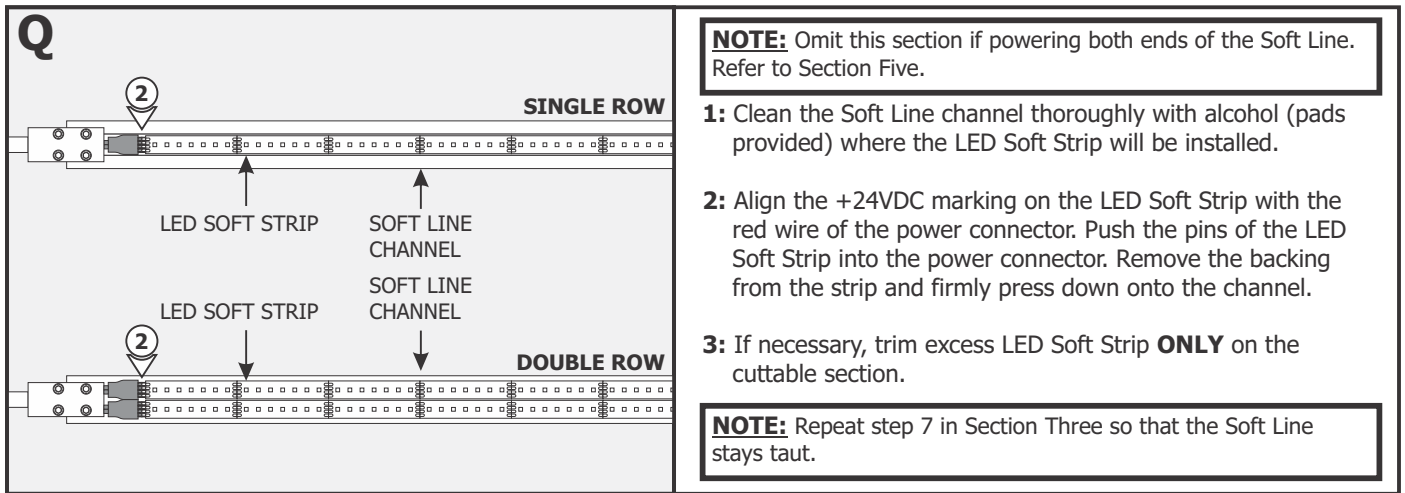
6: Insert the other end of the Soft Line channel into the opposite turnbuckle and tighten the hex head screws.



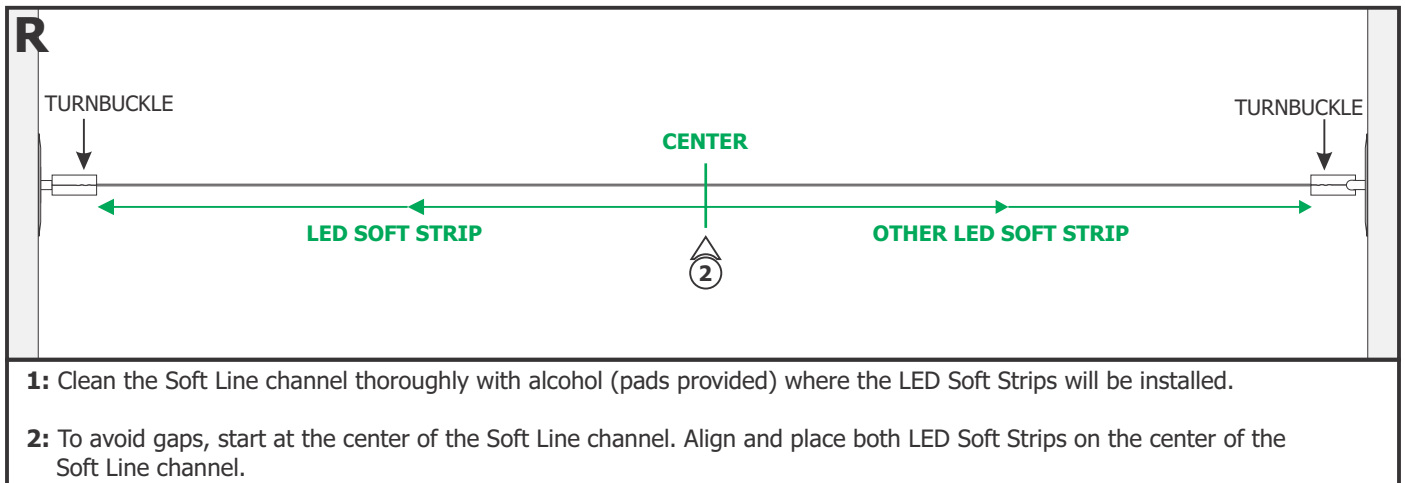
7: Tighten the four phillips screws on each adjustment link for the Soft Line channel to stay taut.

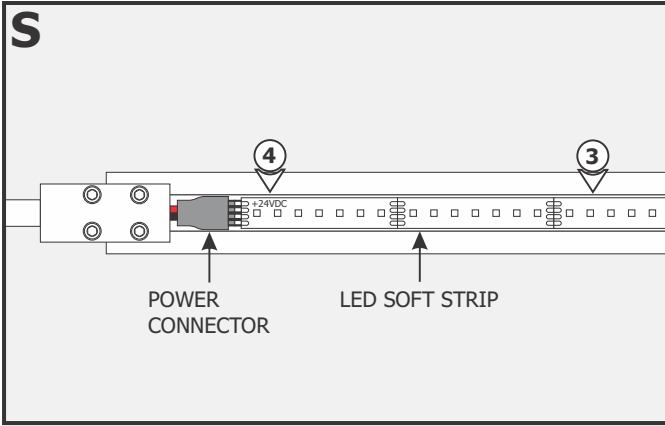


Section Four: Install the LED Soft Strip - Power on One End



Section Five: Install the LED Soft Strip - Power on Both Ends





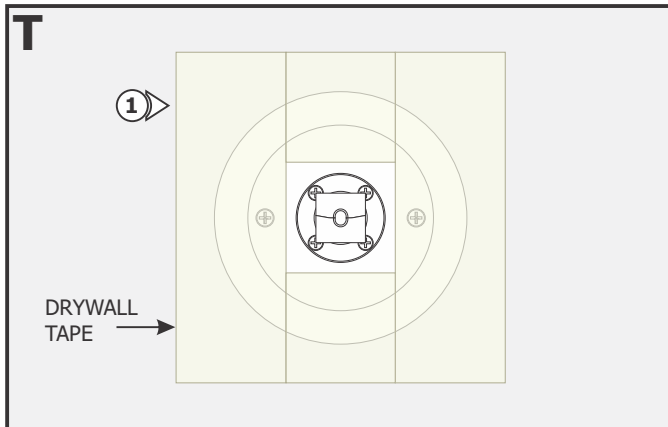
3: Remove the backing from the LED Soft Strip and firmly press down onto the Soft Line channel.

4: Align the +24VDC marking on the LED Soft Strip with the red wire of the power connector. Push the pins of the LED Soft Strip into the power connector.

5: Repeat steps 3 and 4 for the other LED Soft Strip.

NOTE: Repeat step 7 in Section Three so that the Soft Line channel stays taut.

Section Six: Plaster the Turnbuckle (Optional)



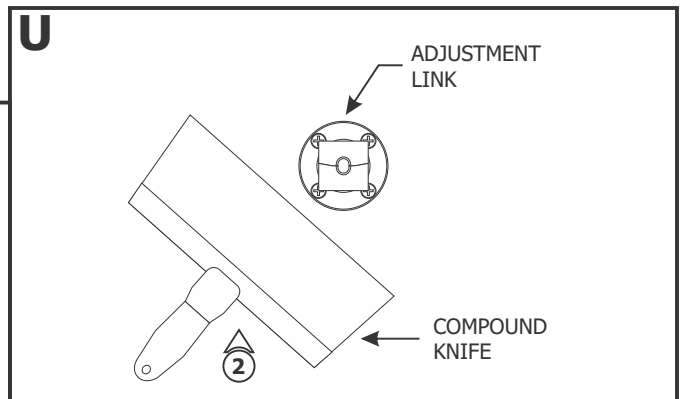
1: Apply drywall tape (Ultra-Thin drywall tape suggested) along edges of turnbuckle back plate to prevent cracking of plaster. **Do Not** overlap strips of drywall tape.

NOTE: Recommended plaster method: 1st Coat - Durabond 45 with 8" Blade, 2nd Coat - Easy Sand 45 with 10" Blade, 3rd Coat - with 12" Blade

2: Plaster, sand and paint the surface. **Do not** plaster over adjustment link.

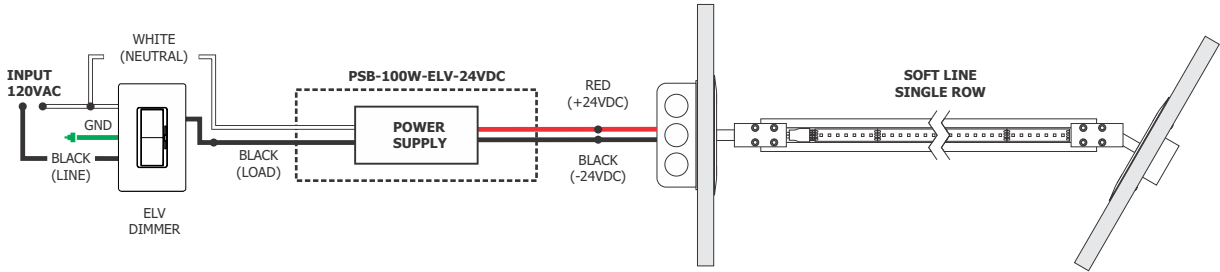
3: Clean the edges around the adjustment link.

4: Paint the turnbuckle to the desired color.

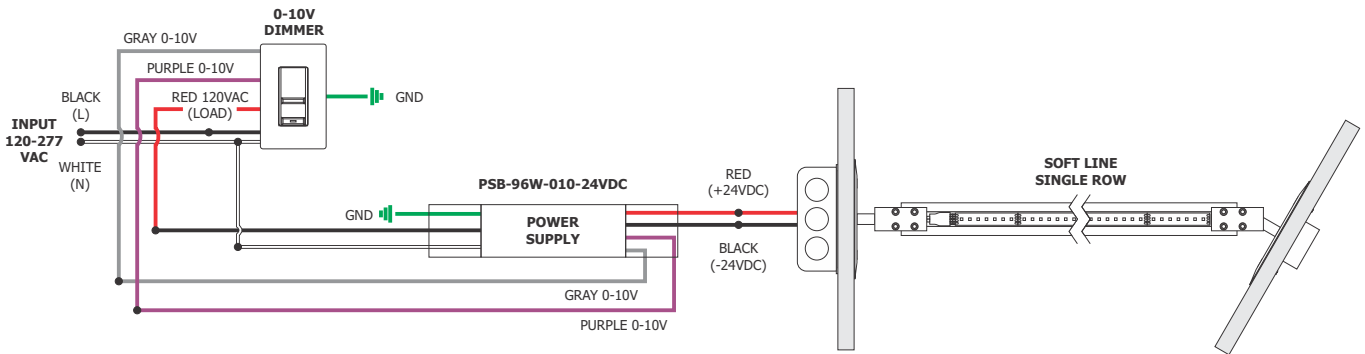


General Wiring Diagram

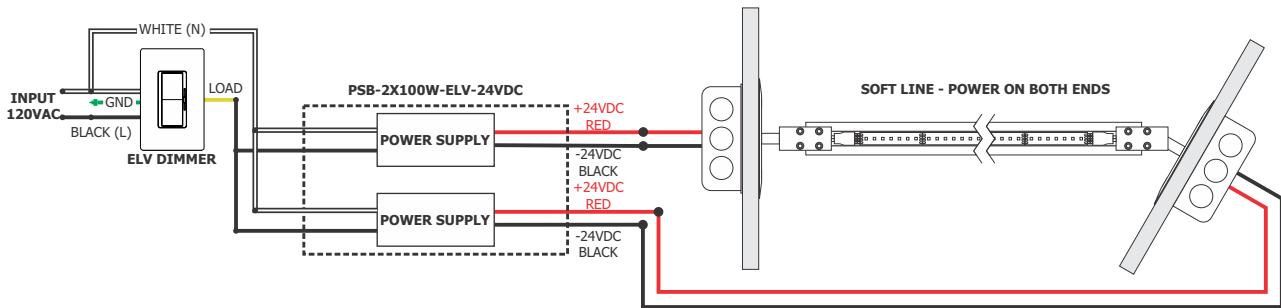
ELV Wiring



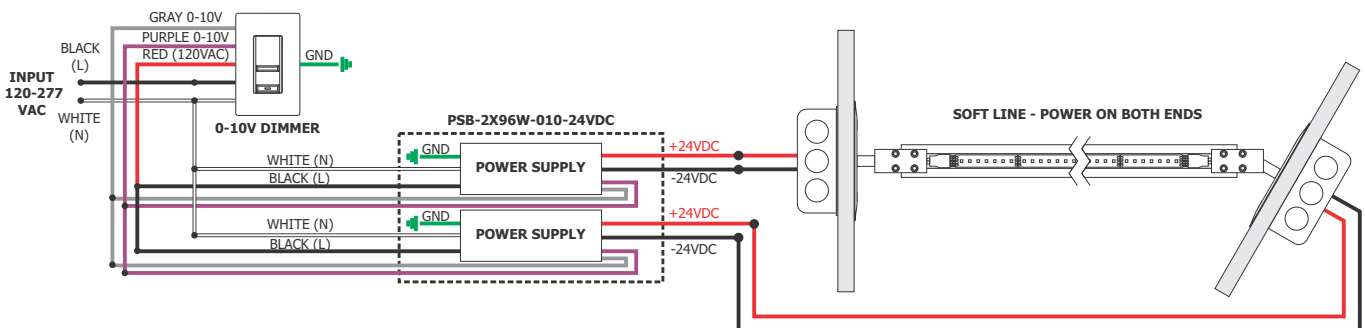
0-10V Wiring



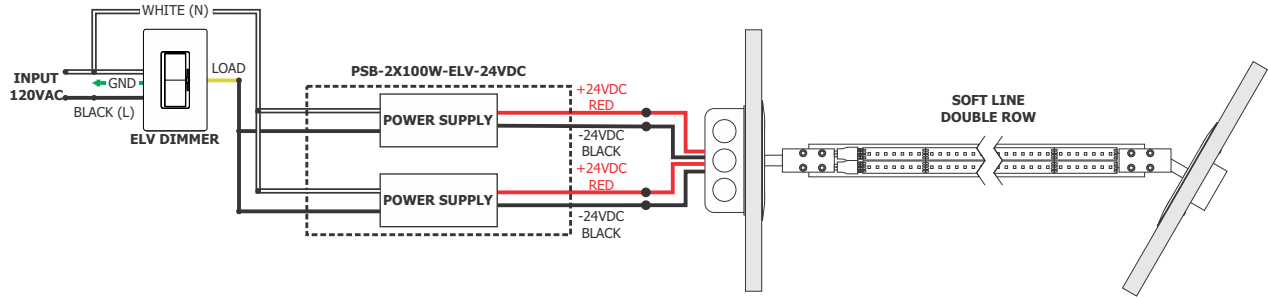
ELV Wiring



0-10V Wiring



ELV Wiring



0-10V Wiring

