



© 2015 Edge Lighting. All Rights Reserved.

1718 W. Fullerton Ave  
Chicago, IL 60614  
Tel: 773-770-1195  
Fax: 773-935-5613  
www.edgelighting.com  
info@edgelighting.com

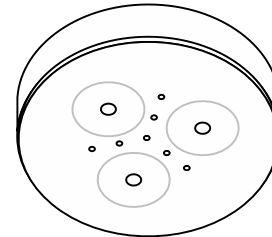
- PUCK-RD-3W-90D-30K-SA
- PUCK-RD-3W-90D-30K-WH
- PUCK-RD-3W-90D-30K-BZ

## Installation Instructions for Puck LED

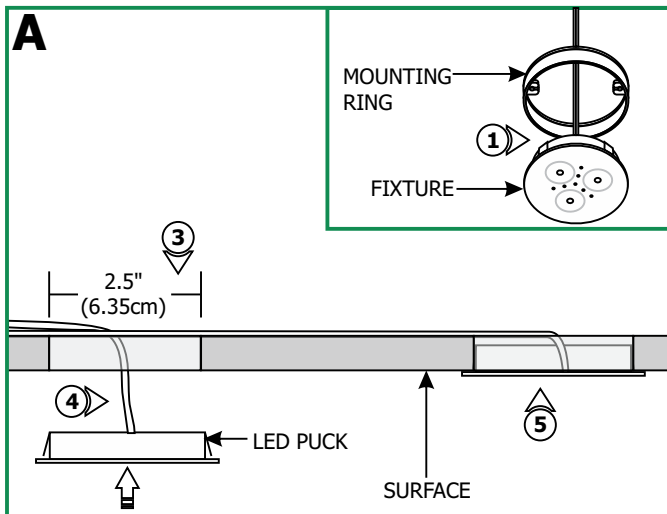
### IMPORTANT INFORMATION

- This product can be installed as recessed or surface mount.
- It is recommended to use the HUB-4P or HUB-8P to power the Puck Lights.
- This product works with a 12 Volt AC LED electronic transformer (TE-60L-12) & is dimmable with a low voltage electronic dimmer.
- This installation instruction shows typical installation.

SAVE THESE INSTRUCTIONS!



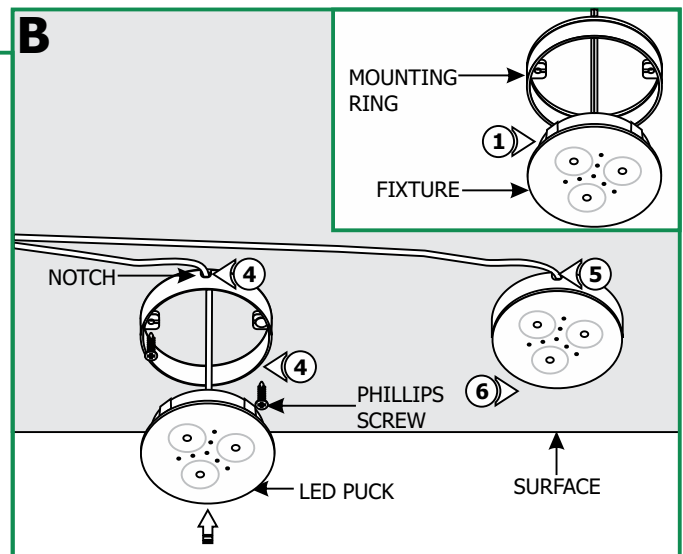
### Recessed Mount Installation



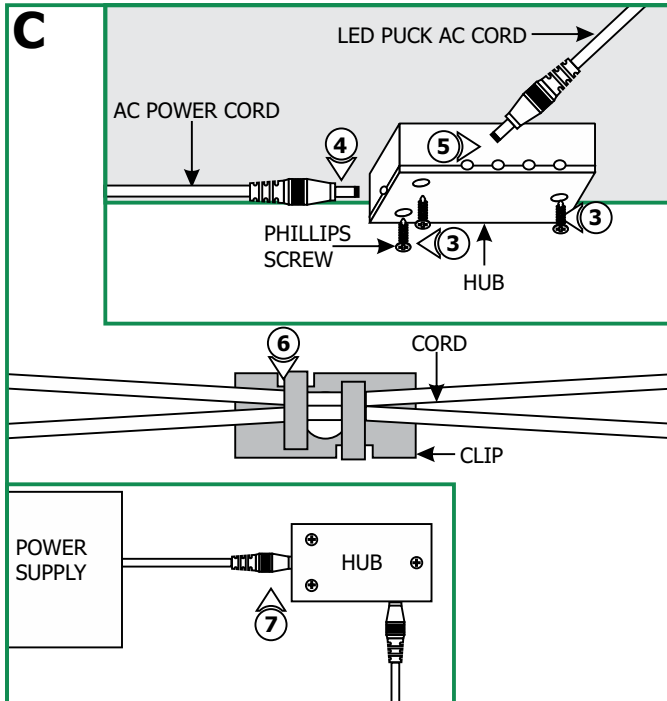
- NOTE:** Omit the steps below if surface mounting the Puck Lights.
- 1:** Remove the mounting ring and discard it.
  - 2:** Mark the location where the LED Puck light is going to be recessed.
  - 3:** Drill out the marked location with a 2.5" circular saw.
  - 4:** Feed the LED Puck light wires through the cut out hole and snap the LED Puck light into the hole.
  - 5:** Repeat the steps 1 through 4 for the remaining pucks and then follow the "Power the Puck Lights" steps.

- 1:** Remove the mounting ring.
- 2:** Use the mounting ring as a template to mark the screw location where the LED Puck light is going to be installed.
- 3:** Use a 1/16" drill bit to drill pilot holes on marked locations.
- 4:** Feed the LED Puck wires through the mounting ring. Hold the cord against the notch on the mounting ring while installing the mounting ring to the pilot holes with the provided two Phillips screws.
- 5:** Pull the cord through the notch on the mounting clip and snap the LED puck light into the mounting ring.
- 6:** Repeat the steps 1 through 5 for the remaining pucks and then follow the "Power the Puck Lights" steps.

### Surface Mount Installation



# Power the Puck Lights



- 1: Mark the location where the hub is going to be installed.
- 2: Use a 1/16" drill bit to drill pilot holes on marked locations.
- 3: Mount the hub to the pilot holes with the three Phillips screws provided.
- 4: Connect the AC Power cord into the single port of the hub.
- 5: Connect each LED Puck AC cord into one port.
- 6: Use the provided clips to manage the Pucks and Hub cords.
- 7: Connect the Hub AC power cord to the 12 volt power supply wires. Refer to the instructions provided with the power supply.

**NOTE:** Each Puck contains three 1 watt LEDs consuming a total of 3 watts.

## TYPICAL WIRING DIAGRAM

