



1718 W. Fullerton Chicago, IL 60614  
 Ph: 773.770.1195 • Fax: 773.935.5613  
 www.PureEdgeLighting.com • info@PureEdgeLighting.com  
 © 2016 PureEdge Lighting. All Rights Reserved.

## Installation Instructions for **96 Watt 24 Volt DC Power Supply In-Wall** **with 0-10 Volt Dimming Module**



### SAVE THESE INSTRUCTIONS!

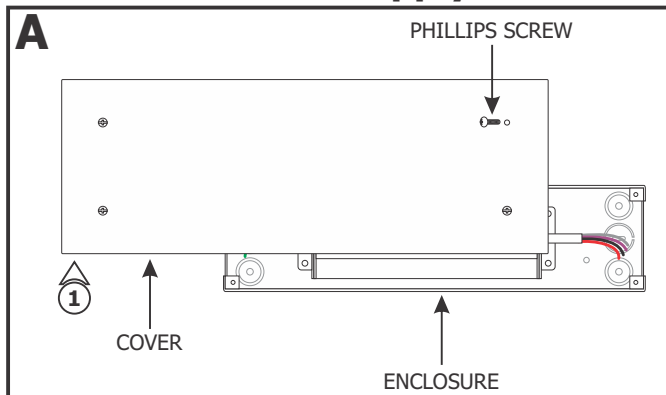
#### GENERAL INFORMATION

- **RISK OF FIRE:** This product must be installed by a qualified electrician. Turn the power to the electrical box off during installation. Read the "Important Safety Instructions" before installation.
- **NOTE:** To avoid overheating the power supply, install it in a ventilated remote location where air flows. Maintain proper spacing among power supplies when multiple power supplies are installed in the same remote location.
- This product is not suitable for wet locations. It is approved for the use at any height above the finished floor.
- A typical installation is shown. Specific installation must be in accordance with the local electrical codes.
- **TO REDUCE RISK OF FIRE,** it is important to wire the power supply for the system as described in this installation instruction.
- Load the power supply to **MAXIMUM 96** Watts.
- Use Philips Sunrise "SR1200ZTUNV" 0-10 volt controller to dim the LED soft strip (fixture).
- For multiple parallel runs, do not exceed 32' total length.

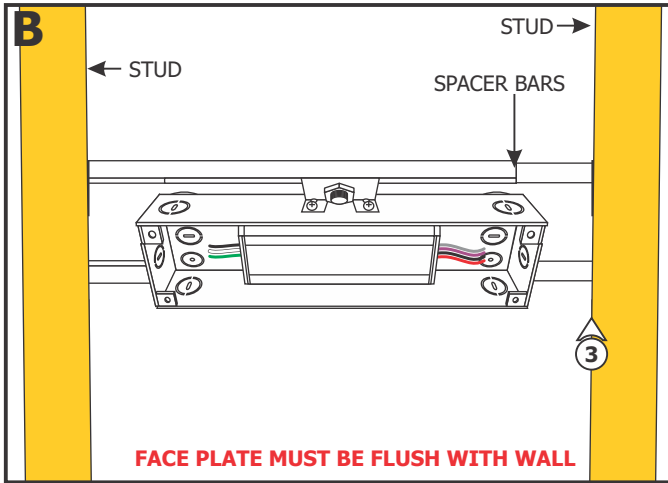
#### IMPORTANT SAFETY INSTRUCTIONS

- Do not install this power supply in a wet location.
- To reduce the risk of the system overheating and possibly causing a fire, make sure all the connections are tight.
- Do not install \*LED fixture closer than three inches or as specified in the \*LED fixture installation instructions to curtains or similarly combustible materials. Keep insulation at least 3" away from the enclosure.
- Turn the electrical power off before modifying the lighting system in any way.
- The system is "ETL" listed for USA and Canada only when all the products used are supplied by Edge Lighting.
- \* See LED fixture installation instructions for proper placement.

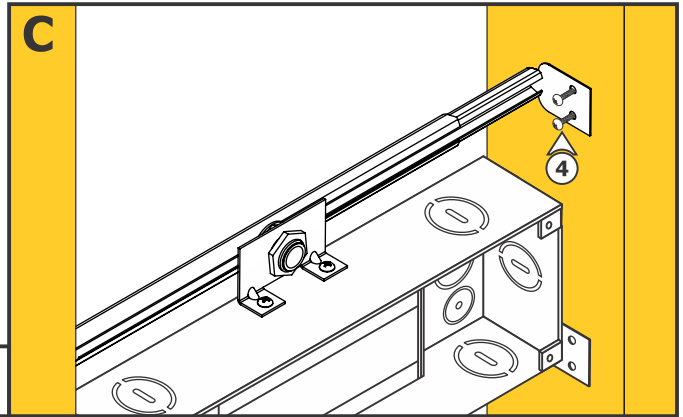
### Install the Power Supply Kit



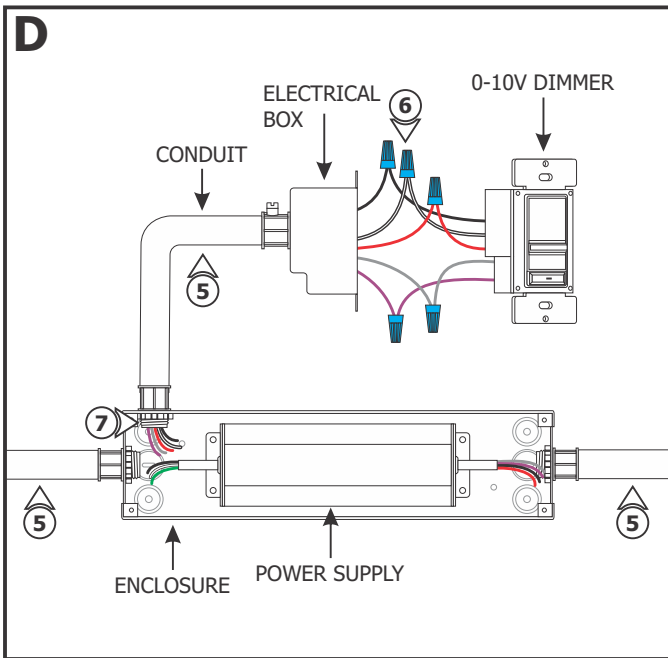
- 1:** Loosen and remove the four Phillips screws on the front of the power supply cover to remove the cover from the enclosure.



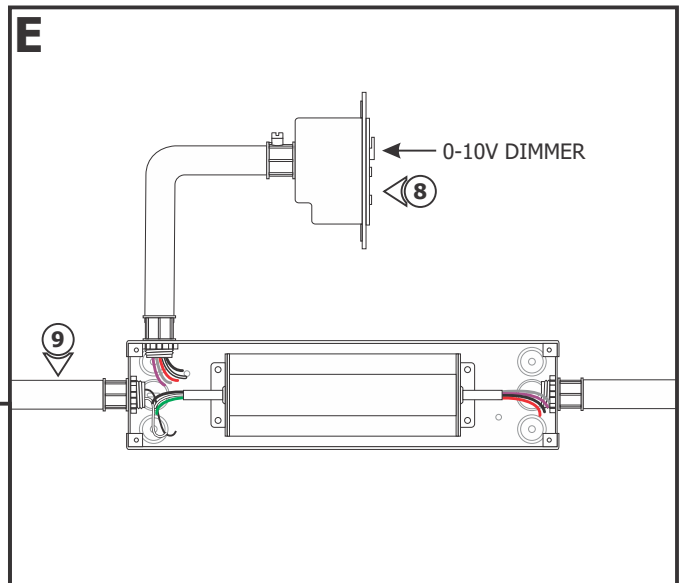
- 2:** Ensure that face plate of power supply box is going to be flush with wall.
- 3:** Use sliding spacers to mount power supply box between studs.



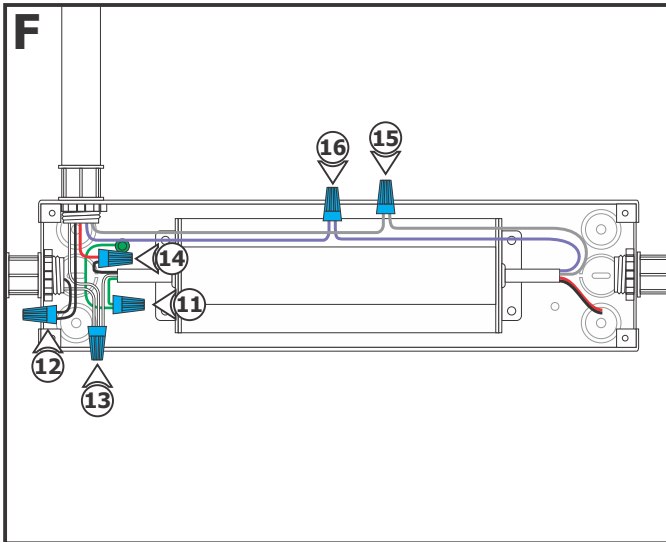
- 4:** Screw spacer bars to studs, ensuring that the front face plate will stay flush with wall.



- 5:** Install conduits from the controller, main panel (line voltage) and soft strip or fixture to the power supply enclosure.
- 6:** Connect the black, white, red, purple and gray controller wires respectively to the black, white, red, purple and gray wires with a wire nut. For three way switching, refer to the instructions provided with the controller.
- 7:** Run the wires from the controller to the power supply enclosure.

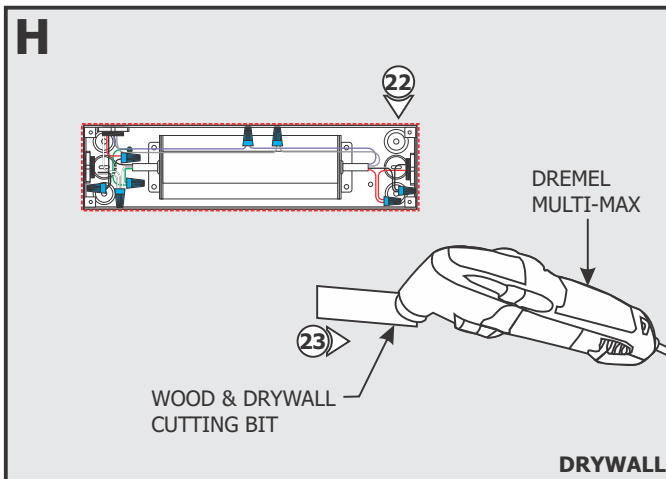
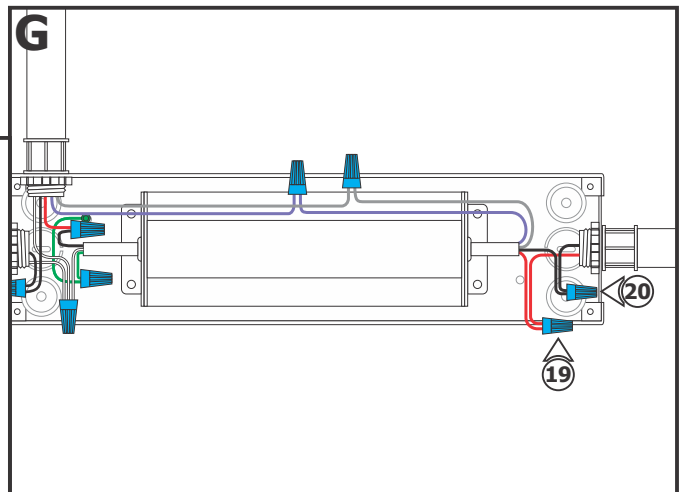


- 8:** Secure the controller to the electrical box.
- 9:** Run the line voltage power wires from the panel to the power supply enclosure.
- 10: DO NOT** connect the power wires to the panel at this time.

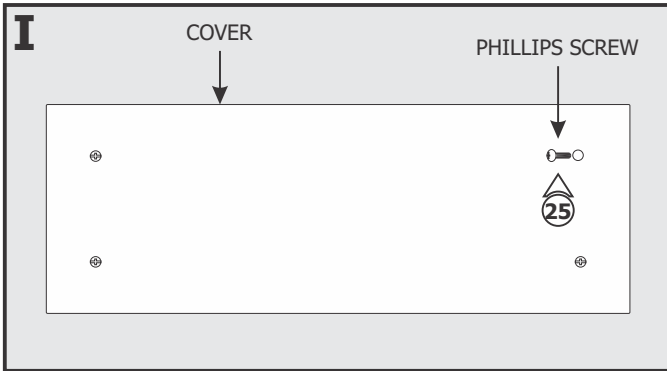


- 11:** Make sure the power supply is grounded in accordance with local electrical codes.
- 12:** Connect the black controller wire to the line voltage hot wire with a wire nut.
- 13:** Connect the white controller wire to the line voltage neutral wire and white wire of the power supply with a wire nut.
- 14:** Connect the red controller wire to the black wire of the power supply with a wire nut.
- 15:** Connect the gray controller wire to the gray wire of the power supply with a wire nut.
- 16:** Connect the purple controller wire to the purple wire of the power supply with a wire nut.

- 17:** Use the "Low Voltage Wire Size Chart" on page 4 to determine the proper wire size connecting the power supply to the LED soft strip/fixture.
- 18:** Run the proper size red and black wires from the LED soft strip/fixture to the power supply enclosure.
- 19:** Connect the red (+24VDC) wire from the power supply to the red wires of the LED soft strip/fixture with a wire nut.
- 20:** Connect the black (-24VDC) wire from the power supply to the black wires of the LED soft strip/fixture with a wire nut.



- 21:** Determine the power supply location on the drywall.
- 22:** Mark a rectangle shape on drywall where the enclosure opening will be located.
- 23:** Cut out the marked rectangle opening, using a "Dremel Multi-Max" or other appropriate tool.
- 24:** Install & finish drywall.



**25:** Replace the power supply cover and secure it by tightening the four Phillips screws.

96W, 24VDC LOW VOLTAGE WIRE SIZE CHART					
<b>3% VOLTAGE DROP</b>	<b>WIRE LENGTH IN FT</b>	<b>UP TO 33FT</b>	<b>34FT - 52FT</b>	<b>53FT - 86FT</b>	<b>87FT - 130FT</b>
	<b>WIRE SIZE</b>	14 AWG	12 AWG	10 AWG	8 AWG
	<b>VOLTAGE AT END OF THE WIRE</b>	23.28 VDC	23.29 VDC	23.28 VDC	23.28 VDC

## General Wiring Diagram

