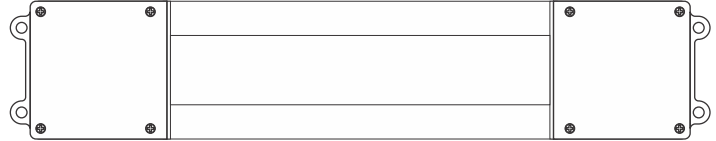




1718 W. Fullerton Chicago, IL 60614  
 Ph: 773.770.1195 • Fax: 773.935.5613  
 www.PureEdgeLighting.com • info@PureEdgeLighting.com  
 © 2016 PureEdge Lighting. All Rights Reserved.

## Installation Instructions for **60 Watt 24 Volt DC Power Supply with 0-10 Volt Dimming Module**



**SAVE THESE INSTRUCTIONS!**



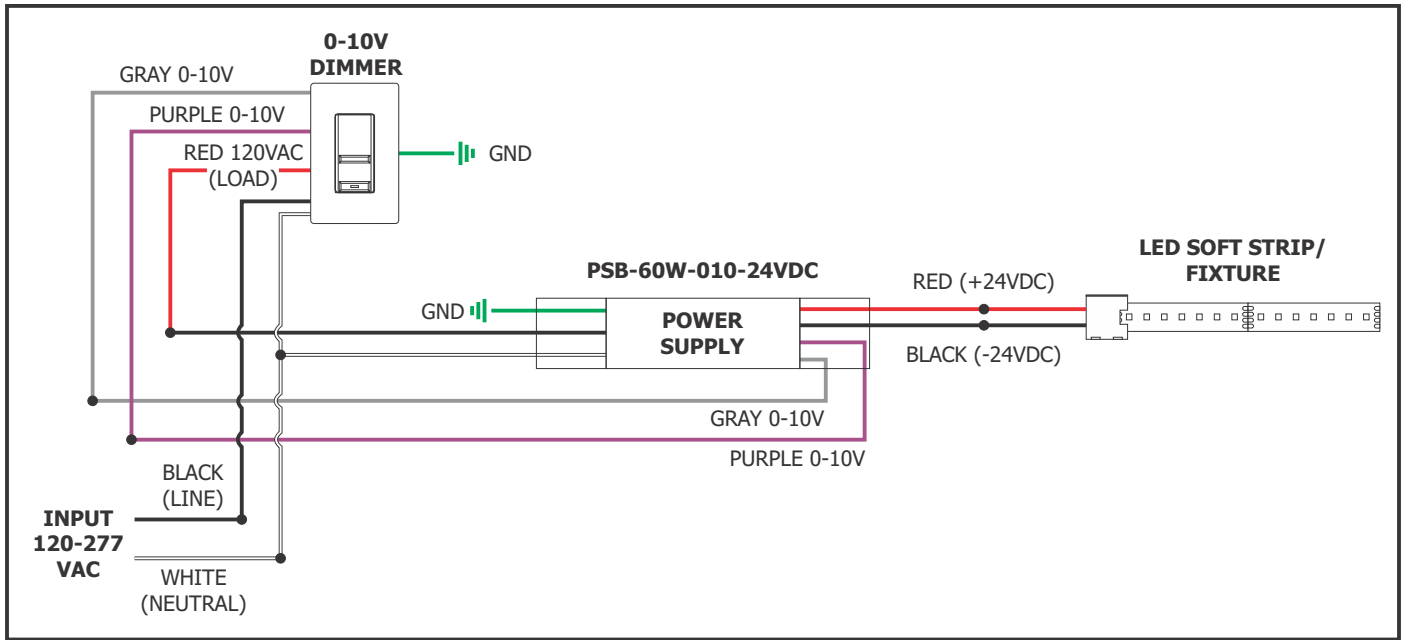
### GENERAL INFORMATION

- **RISK OF FIRE:** This product must be installed by a qualified electrician. Turn the power to the electrical box off during installation. Read the "Important Safety Instructions" before installation.
- **NOTE:** To avoid overheating the power supply, install it in a ventilated remote location where air flows. Maintain proper spacing among power supplies when multiple power supplies are installed in the same remote location.
- This product is not suitable for wet locations. It is approved for the use at any height above the finished floor.
- A typical installation is shown. Specific installation must be in accordance with the local electrical codes.
- **TO REDUCE RISK OF FIRE,** it is important to wire the power supply for the system as described in this installation instruction.
- Load the power supply to **MAXIMUM 60** Watts.
- Use Philips: Sunrise "SR1200TUNV" 0-10 volt controller to dim the LED soft strip (fixture).
- For multiple parallel runs, do not exceed 32' total length.

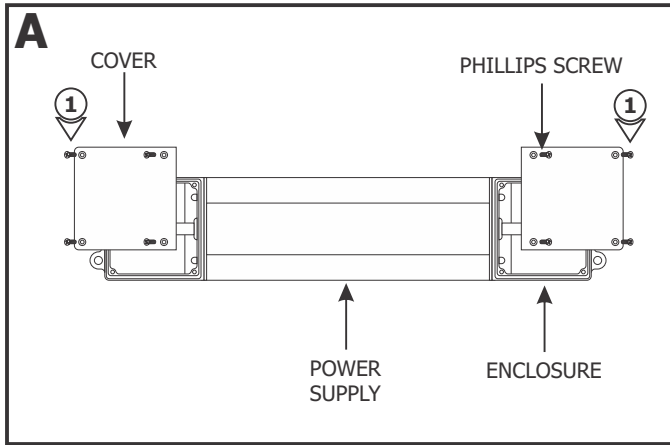
### IMPORTANT SAFETY INSTRUCTIONS

- Do not install this power supply in a wet location.
  - To reduce the risk of the system overheating and possibly causing a fire, make sure all the connections are tight.
  - Do not install \*LED fixture closer than 3" or as specified in the \*LED fixture installation instructions to curtains or similarly combustible materials. Keep insulation at least 3" away from the enclosure.
  - Turn the electrical power off before modifying the lighting system in any way.
  - The system is "ETL" listed for USA and Canada only when all the products used are supplied by Edge Lighting.
- \*See LED fixture installation instructions for proper placement.

# Wiring Diagram

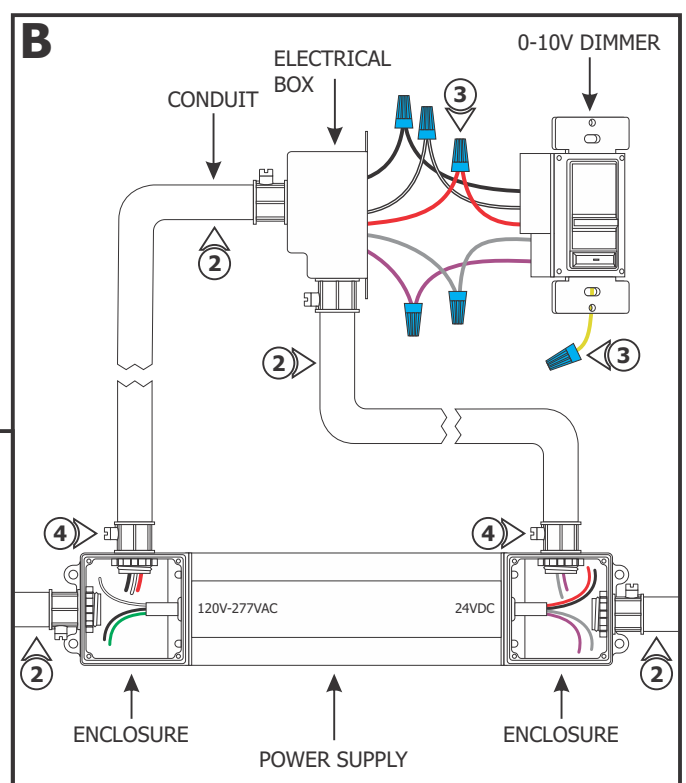


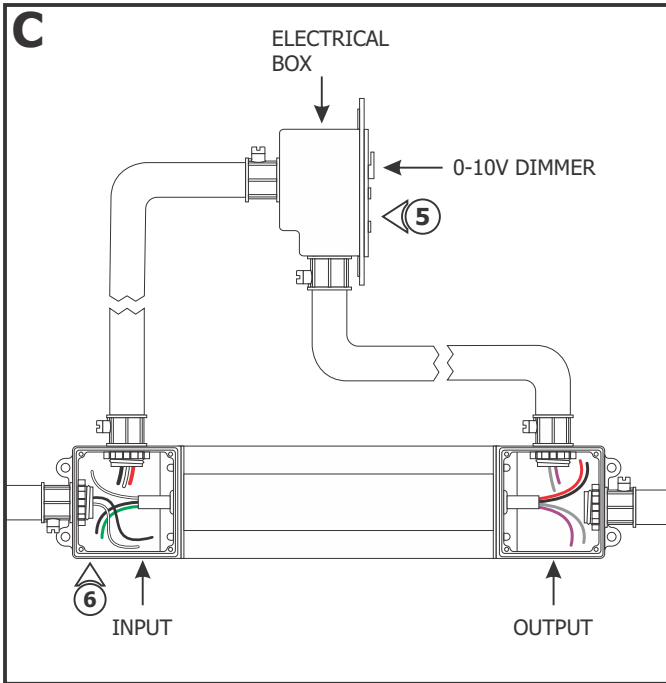
## Install the Power Supply



**1:** Remove the four Phillips screws on each cover to remove them from the enclosures.

- 2:** Install conduits from the controller, main panel (line voltage) and soft strip or fixture to the power supply enclosures.
- 3:** Connect the black, white, red, purple and gray controller wires respectively to the black, white, red, purple and gray wires with a wire nut. The yellow controller wire is not used in this procedure. Cap the yellow controller wire with a wire nut. For three way switching, refer to the instructions provided with the controller.
- 4:** Run the wires from the controller to the power supply enclosures.

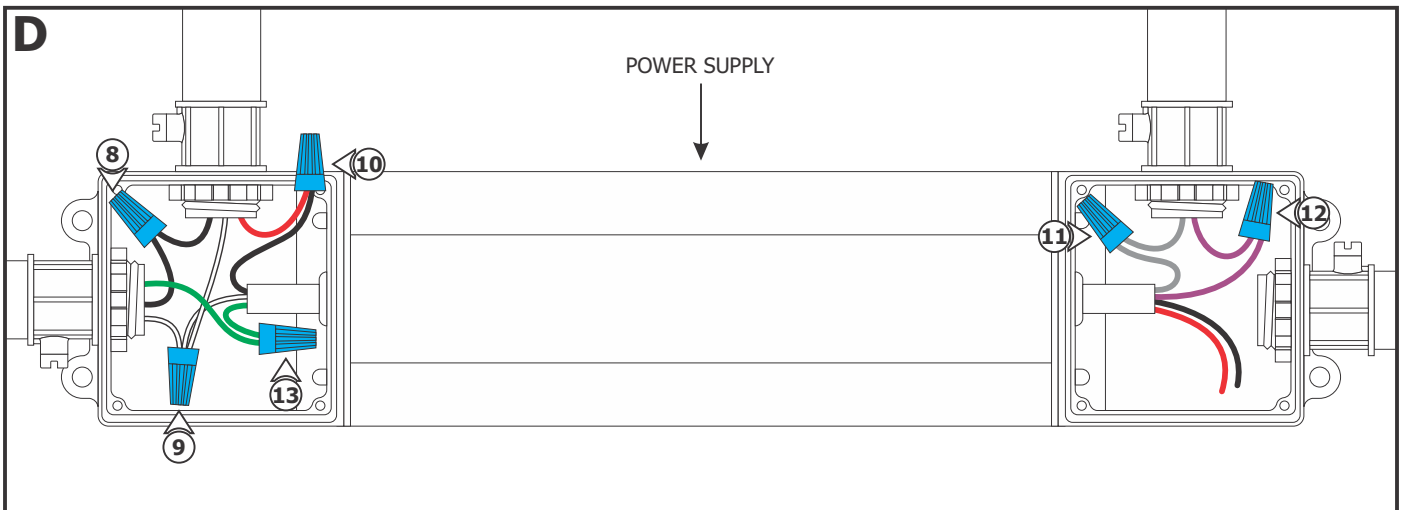




**5:** Secure the controller to the electrical box.

**6:** Run the power line wires from the panel to the input enclosure on the power supply.

**7:** **DO NOT** connect the power wires to the panel at this time.



**8:** Connect the black controller wire to the 120 volt hot wire with a wire nut.

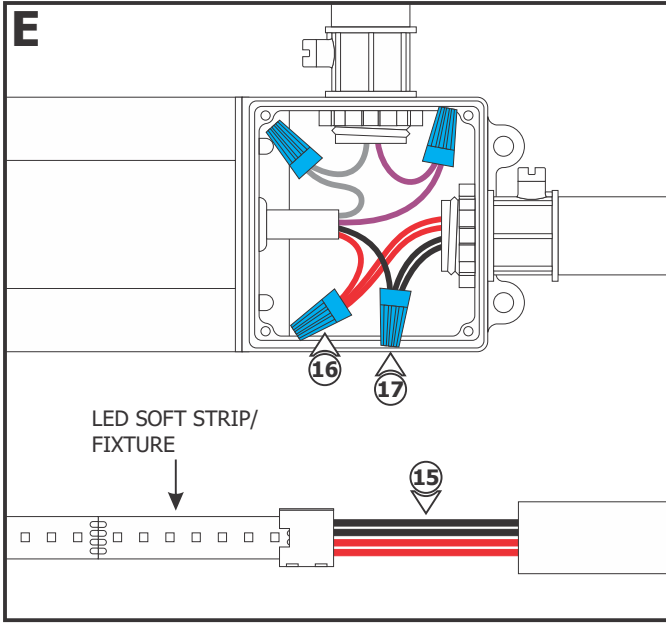
**9:** Connect the white controller wire to the 120 volt neutral wire and white power supply wire with a wire nut.

**10:** Connect the red controller wire to the black power supply wire with a wire nut.

**11:** Connect the gray controller wire to the gray power supply wire with a wire nut.

**12:** Connect the purple controller wire to the purple power supply wire with a wire nut.

**13:** Ensure the power supply is grounded in accordance with local electrical codes.



**NOTE:** Use only 24 volt LED soft strip with this power supply.

**NOTE:** For multiple parallel runs, do not exceed 32' total length.

**14:** Use the "Low Voltage Wire Size Chart" below to determine the proper wire size connecting the power supply to the LED soft strip or fixture.

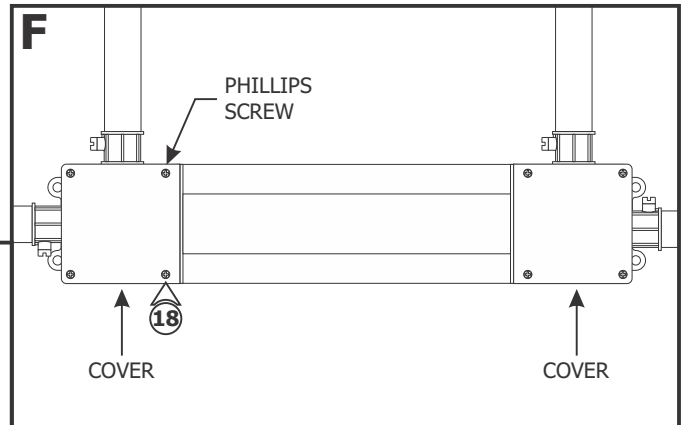
**15:** Run the proper size red and black wires from the LED soft strip or fixture to the output enclosure.

**16:** Connect the red wire from the power supply to the +24VDC red wires of the LED soft strip or fixture with a wire nut.

**17:** Connect the black wire from the power supply to the -24VDC black wires of the LED soft strip or fixture with a wire nut.

**18:** Replace the gaskets (if using outdoor) and enclosure covers and secure them by tightening the eight Phillips screws.

**19:** At this time, connect the 120 volt wires to the circuit box panel.



### 60W, 24VDC LOW VOLTAGE WIRE SIZE CHART

3% VOLTAGE DROP	WIRE LENGTH IN FT	UP TO 53FT	54FT - 82FT	83FT - 137FT
	WIRE SIZE	14 AWG	12 AWG	10 AWG
	VOLTAGE AT END OF THE WIRE	23.28 VDC	23.29 VDC	23.28 VDC