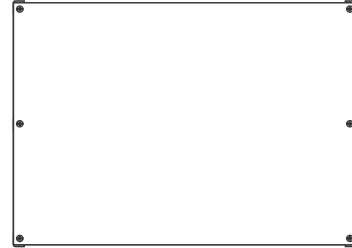




1718 W. Fullerton Chicago, IL 60614
 Ph: 773.770.1195 • Fax: 773.935.5613
 www.PureEdgeLighting.com • info@PureEdgeLighting.com
 © 2016 PureEdge Lighting. All Rights Reserved.

Installation Instructions for **4X96 Watt 24 Volt DC Power Supply Universal Dimming**



SAVE THESE INSTRUCTIONS!



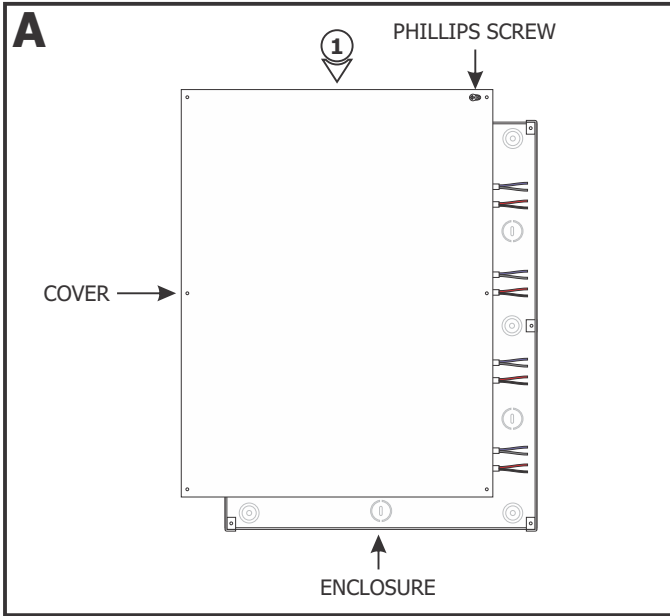
GENERAL INFORMATION

- **RISK OF FIRE:** This product must be installed by a qualified electrician. Turn the power to the electrical box off during installation. Read the "Important Safety Instructions" before installation.
- **NOTE:** To avoid overheating the power supply, install it in a ventilated remote location where air flows. Maintain proper spacing among power supplies when multiple power supplies are installed in the same remote location.
- This product is not suitable for wet locations. It is approved for the use at any height above the finished floor.
- A typical installation is shown. Specific installation must be in accordance with the local electrical codes.
- **TO REDUCE RISK OF FIRE,** it is important to wire the power supply for the system as described in this installation instruction.
- Load each power supply to **MAXIMUM 96** Watts.
- For multiple parallel runs, do not exceed 32' total length.

IMPORTANT SAFETY INSTRUCTIONS

- Do not install this power supply in a wet location.
 - To reduce the risk of the system overheating and possibly causing a fire, make sure all the connections are tight.
 - Do not install *LED fixture closer than 3" or as specified in the *LED fixture installation instructions to curtains or similarly combustible materials. Keep insulation at least 3" away from the enclosure.
 - Turn the electrical power off before modifying the lighting system in any way.
 - The system is "ETL" listed for USA and Canada only when all the products used are supplied by Edge Lighting.
- *See LED fixture installation instructions for proper placement.

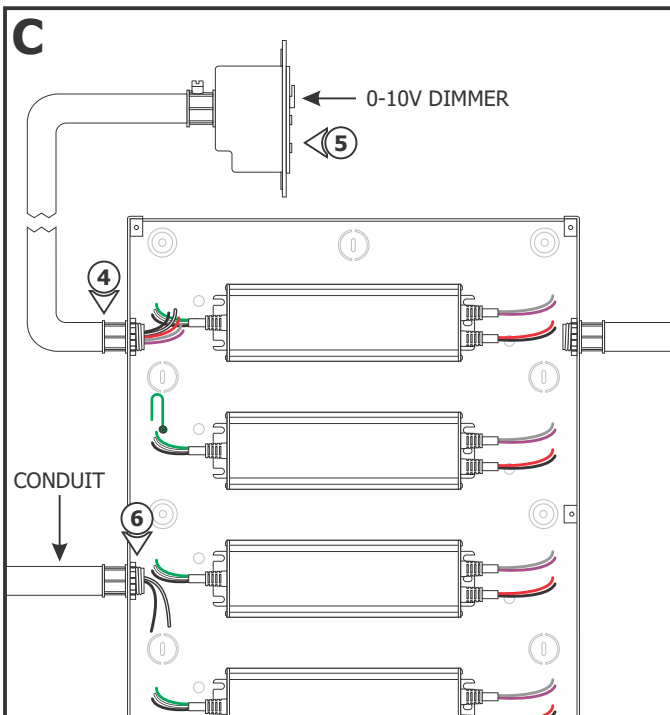
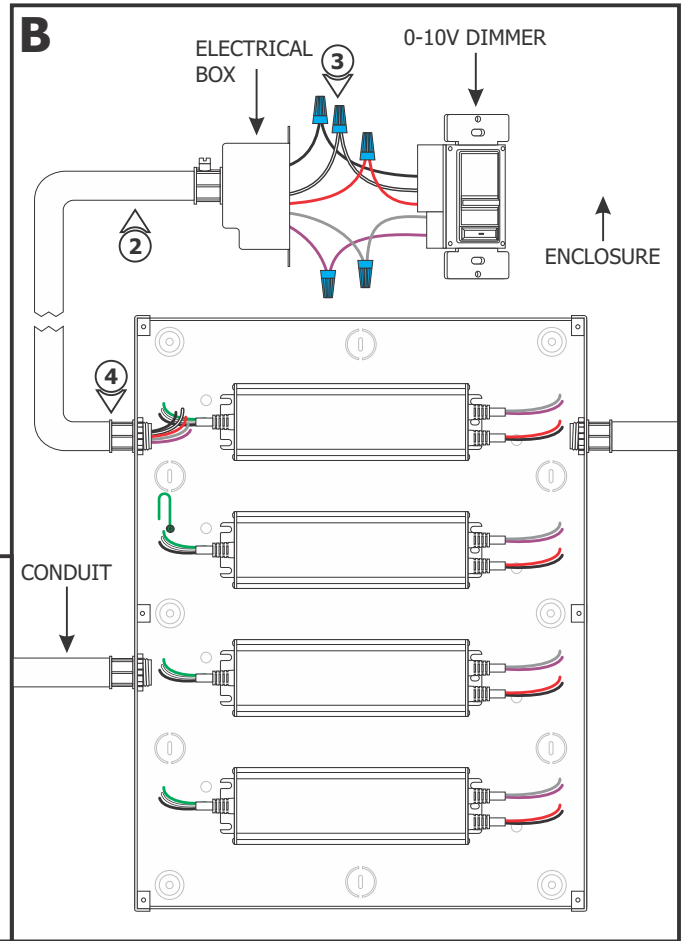
Install the Power Supply



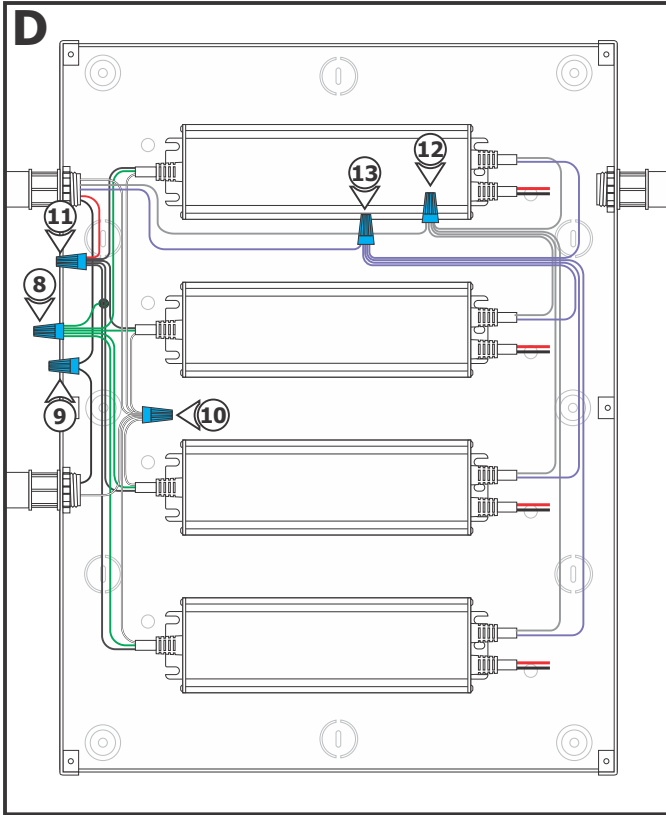
1: Remove the six Phillips screws to slide the cover off of the enclosure.

NOTE: Refer to wiring diagrams on page 4. Steps 2 through 13 show typical installation for 0-10V dimmers.

- 2:** Install conduits from the controller, main panel (line voltage) and soft strip or fixture to the power supply enclosure.
- 3:** Connect the black, white, red, purple and gray controller wires respectively to the black, white, red, purple and gray wires with a wire nut. For three way switching, refer to the instructions provided with the controller.
- 4:** Run the wires from the controller to the power supply enclosure.



- 5:** Secure the controller to the electrical box.
- 6:** Run the line voltage power wires from the panel to the power supply enclosure.
- 7:** **DO NOT** connect the power wires to the panel at this time.



8: Make sure the power supplies are grounded in accordance with local electrical codes.

9: Connect the black controller wire to the line voltage hot wire with a wire nut.

10: Connect the white controller wire to the line voltage neutral wire and white wire of each power supply with a wire nut.

11: Connect the red controller wire to the black wire of each power supply with a wire nut.

NOTE: For ELV dimming, cap the 0-10V wire ends with wire nuts. The 0-10V wires are not used.

12: Connect the gray controller wire to the gray wire of each power supply with a wire nut.

13: Connect the purple controller wire to the purple wire of each power supply with a wire nut.

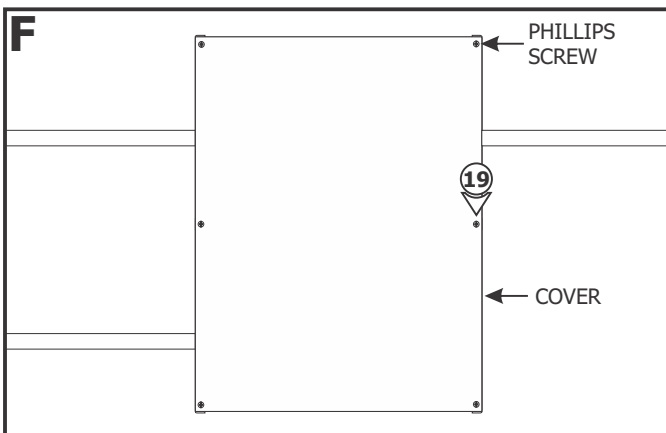
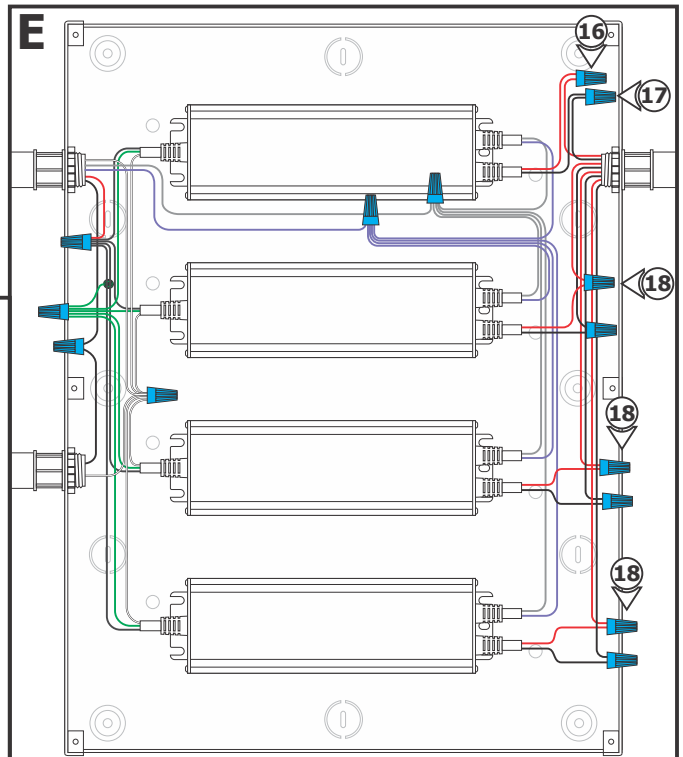
14: Use the "Low Voltage Wire Size Chart" on page 4 to determine the proper wire size connecting the power supply to the LED soft strip/fixture.

15: Run the proper size red and black wires from the LED soft strips/fixtures to the power supply enclosure.

16: Connect the red (+24VDC) wire from one power supply to the red wires of one LED soft strip/fixture with a wire nut.

17: Connect the black (-24VDC) wire from the same power supply to the black wires of the same LED soft strip/fixture with a wire nut.

18: Repeat steps 16 and 17 for the other power supplies and other LED soft strips/fixtures.



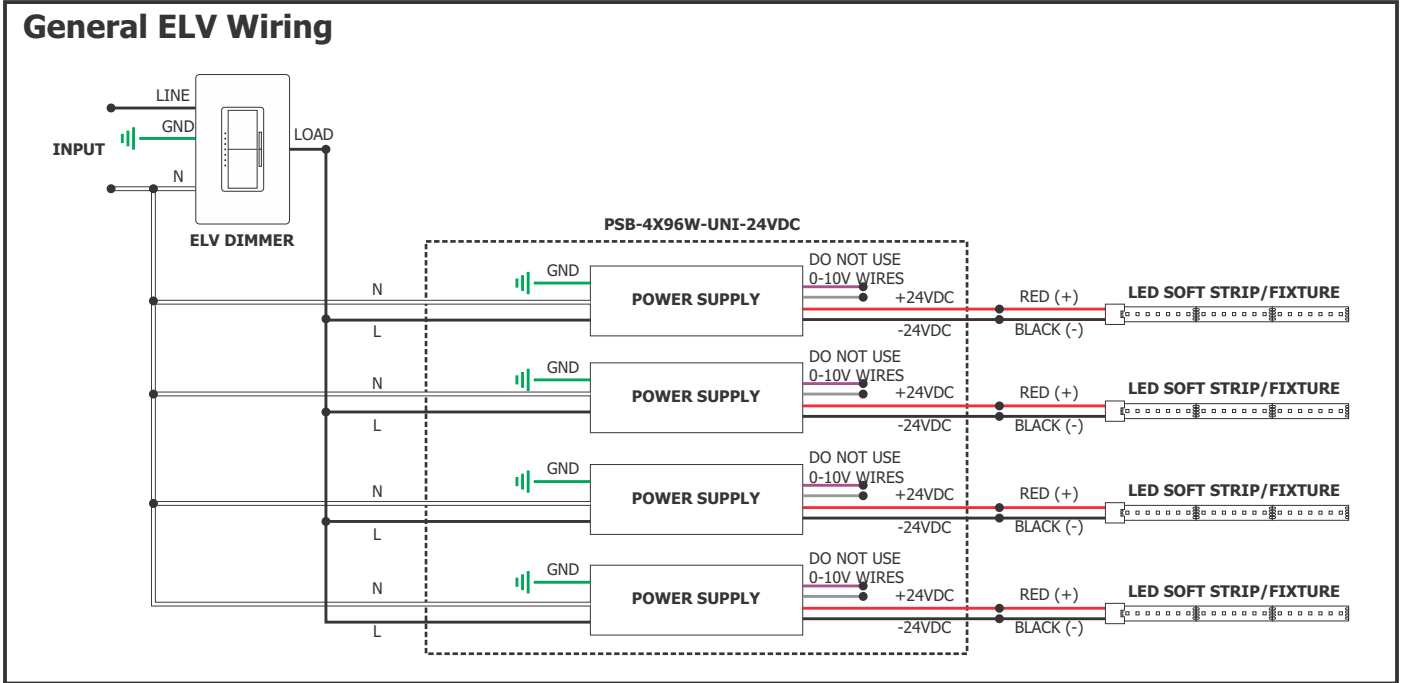
19: Replace the power supply cover and secure it by tightening the six Phillips screws.

96W, 24VDC LOW VOLTAGE WIRE SIZE CHART

3% VOLTAGE DROP	WIRE LENGTH IN FT	UP TO 33FT	34FT - 52FT	53FT - 86FT	87FT - 130FT
	WIRE SIZE	14 AWG	12 AWG	10 AWG	8 AWG
	VOLTAGE AT END OF THE WIRE	23.28 VDC	23.29 VDC	23.28 VDC	23.28 VDC

Wiring Diagrams

General ELV Wiring



General 0-10V Wiring

