



1718 W. Fullerton Chicago, IL 60614
 Ph: 773.770.1196 • Fax: 773.883.6128
 www.pureedgelighting.com • info@pureedgelighting.com
 © 2016 PureEdge Lighting. All Rights Reserved.

Installation Instructions for 25 Watt 24 Volt In-Wall DC Power Supply with 0-10 Volt Dimming Module



SAVE THESE INSTRUCTIONS!

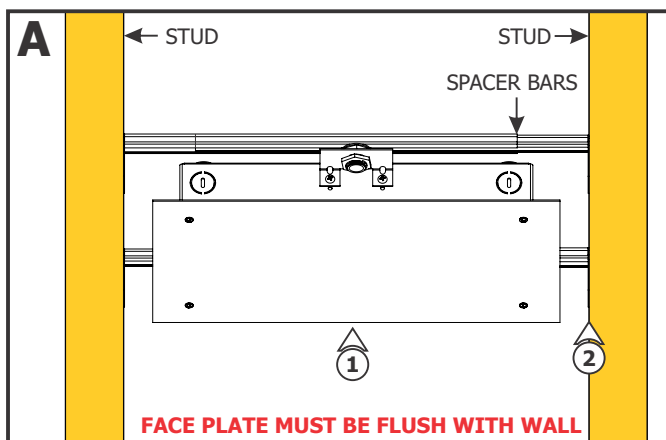
GENERAL INFORMATION

- **RISK OF FIRE:** This product must be installed by a qualified electrician. Turn the power to the electrical box off during installation. Read the "Important Safety Instructions" before installation.
- This product is not suitable for wet locations. It is approved for the use at any height above the finished floor.
- A typical installation is shown. Specific installation must be in accordance with the local electrical codes.
- **TO REDUCE RISK OF FIRE,** it is important to wire the power supply for the system as described in this installation instruction.
- Load the power supply to **MAXIMUM 25** Watts.
- Use Philips Sunrise "SR1200ZTUNV" 0-10 volt controller to dim the LED soft strip (fixture).
- For multiple parallel runs, do not exceed 32' total length.

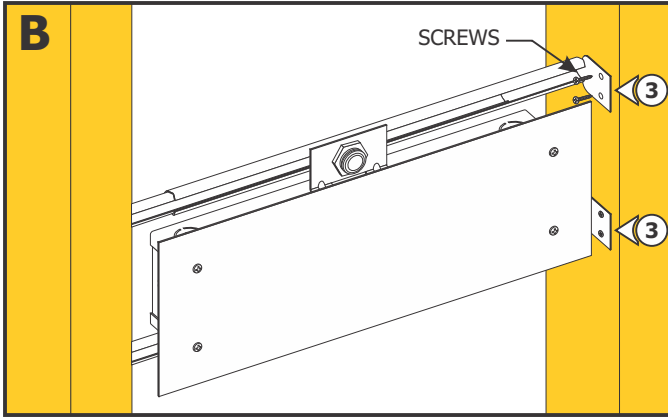
IMPORTANT SAFETY INSTRUCTIONS

- Do not install this power supply in a wet location.
- To reduce the risk of the system overheating and possibly causing a fire, make sure all the connections are tight.
- Do not install *LED fixture closer than three inches or as specified in the *LED fixture installation instructions to curtains or similarly combustible materials. Keep insulation at least 3" away from the enclosure.
- Turn the electrical power off before modifying the lighting system in any way.
- The system is "ETL" listed for USA and Canada only when all the products used are supplied by Edge Lighting.
- * See LED fixture installation instructions for proper placement.

Install the Power Supply Kit

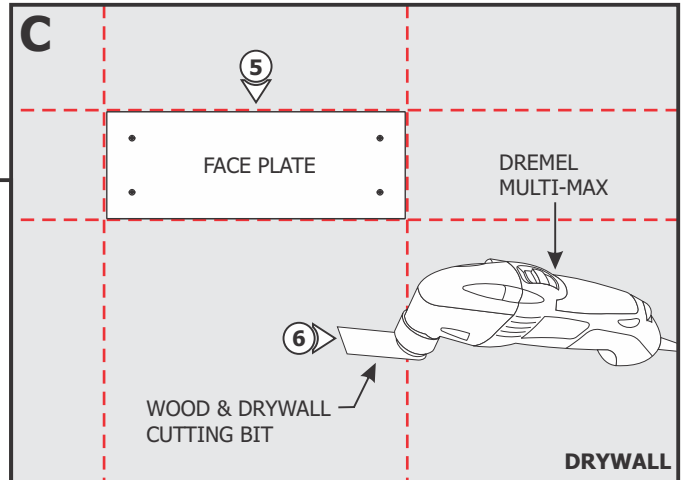


- 1:** Ensure that front plate of power supply box is flush with wall.
- 2:** Use sliding spacers to mount power supply box between studs.

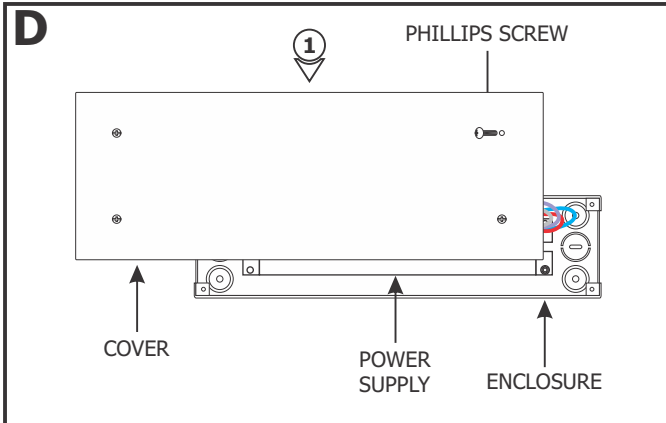


3: Screw spacer bars to studs, ensuring that the front face plate stays flush with wall.

- 4:** Measure the distance from sides of faceplate to floor/ceiling/walls.
- 5:** Mark a rectangle shape on drywall where the junction box opening will be located depending on selected position.
- 6:** Cut out the marked rectangle opening, using a "Dremel Multi-Max" or other appropriate tool.
- 7:** Install & finish drywall.

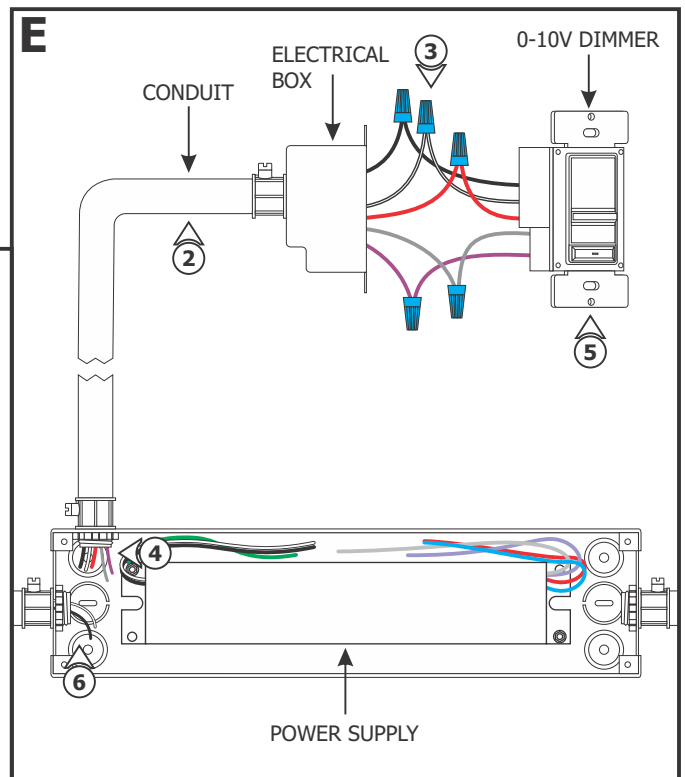


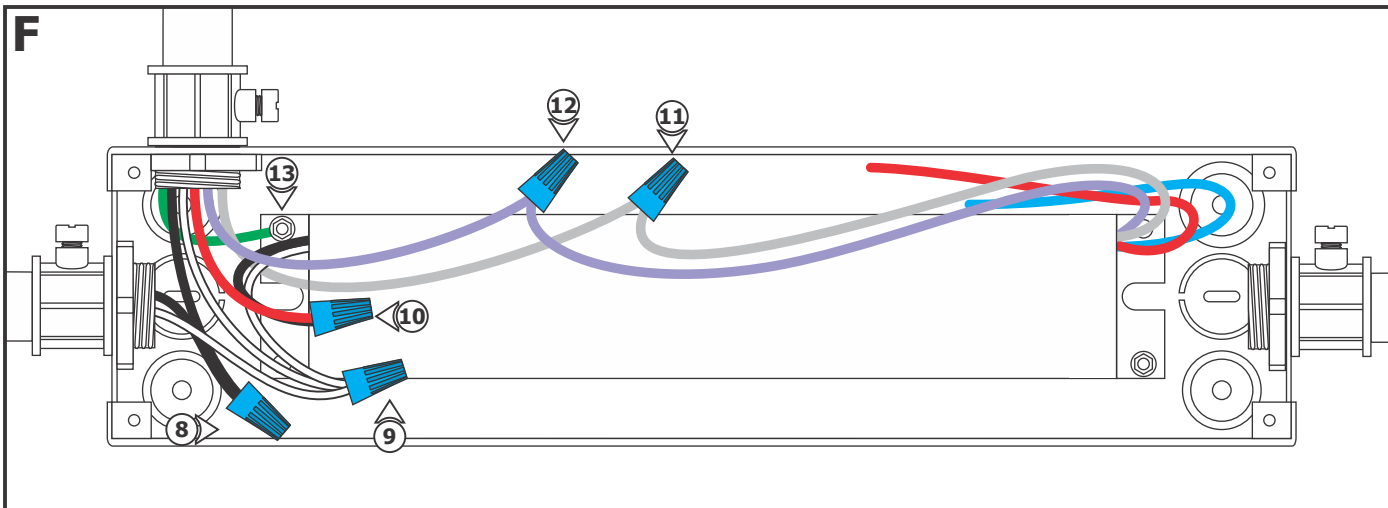
Install the Power Supply



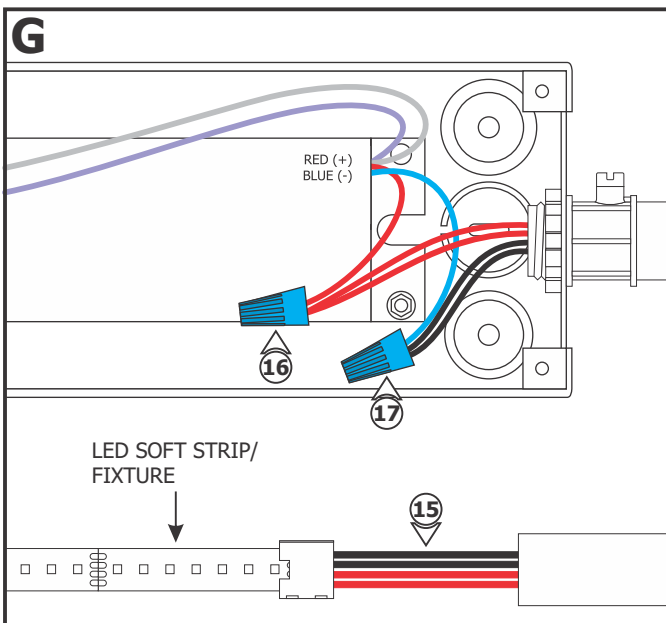
1: Loosen and remove the four Phillips screws to remove the cover from the enclosure.

- 2:** Install conduits (if required by local electrical codes) from the controller, main panel (line voltage) and soft strip or fixture to the power supply enclosure.
- 3:** Connect the black, white, red, purple and gray controller wires respectively to the black, white, red, purple and gray wires with a wire nut. For three way switching, refer to the instructions provided with the controller.
- 4:** Run the wires from the controller to the power supply enclosure.
- 5:** Secure the controller to the electrical box.
- 6:** Run the line voltage power wires from the panel to the power supply enclosure.
- 7:** **DO NOT** connect the power wires to the panel at this time.





- 8:** Connect the black controller wire to the line voltage hot wire with a wire nut.
- 9:** Connect the white controller wire to the line voltage neutral wire and white power supply wire with a wire nut.
- 10:** Connect the red controller wire to the black power supply wire with a wire nut.
- 11:** Connect the gray controller wire to the gray power supply wire with a wire nut.
- 12:** Connect the purple controller wire to the purple power supply wire with a wire nut.
- 13:** Ensure the power supply is grounded in accordance with local electrical codes.



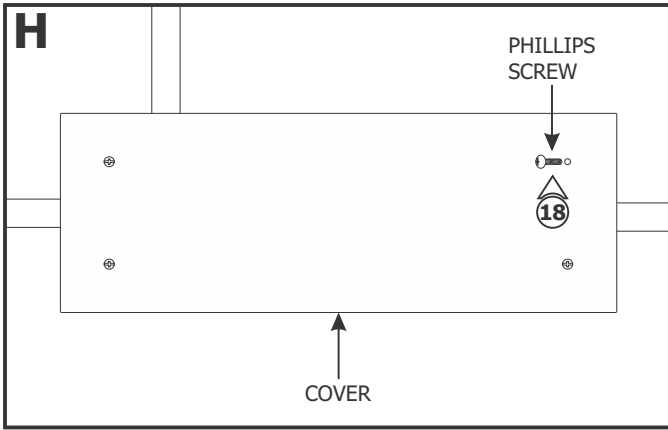
NOTE: Use only 24 volt LED soft strip with this power supply.

NOTE: For multiple parallel runs, do not exceed 32' total length.

- 14:** Use the "Low Voltage Wire Size Chart" below to determine the proper wire size connecting the power supply to the LED soft strip or fixture.
- 15:** Run the proper size red and black wires from the LED soft strip or fixture to the enclosure.
- 16:** Connect the red wire from the power supply to the +24VDC red wires of the LED soft strip or fixture with a wire nut.
- 17:** Connect the blue wire from the power supply to the -24VDC black wires of the LED soft strip or fixture with a wire nut.

25W, 24VDC LOW VOLTAGE WIRE SIZE CHART

3% VOLTAGE DROP	WIRE LENGTH IN FT	UP TO 128FT	129FT - 197FT	198FT - 326FT
	WIRE SIZE	14 AWG	12 AWG	10 AWG
	VOLTAGE AT END OF THE WIRE	23.5 VDC	23.3 VDC	23.3 VDC



18: Replace the power supply cover and secure it by tightening the four Phillips screws.

19: At this time, connect the power wires at the circuit box panel.

Wiring Diagram

