



1718 W. Fullerton Chicago, IL 60614  
 Ph: 773.770.1195 • Fax: 773.935.5613  
 www.PureEdgeLighting.com • info@PureEdgeLighting.com  
 © 2016 PureEdge Lighting. All Rights Reserved.

# Installation Instructions for Pipeline 2 Wall/ Vanity with 1" Rectangle Canopy - Center Feed and End Feed

P2WD\_-\_1R\_--



## IMPORTANT INFORMATION

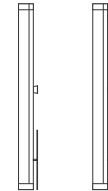
- This product is ETL listed.
- This instruction shows a typical installation.
- This product is wall mount only.
- This product dimmable with a low voltage electronic dimmer.

**SAVE THESE INSTRUCTIONS!**

CENTER FEED



END FEED



## Section One: Install the Junction Box

**A HORIZONTAL ORIENTATION**

PHILLIPS SCREW

JUNCTION BOX

ADJUSTABLE MOUNTING BAR

MOUNTING BRACKET

**VERTICAL ORIENTATION**

PHILLIPS SCREW

JUNCTION BOX

ADJUSTABLE MOUNTING BAR

MOUNTING BRACKET

**NOTE:** Before beginning any electrical work, ensure that the power to the junction box is off.

**1:** Mount each adjustable mounting bar to one side of the junction box (mounts to any side of the housing depending on the orientation of the channel) and secure them with the mounting brackets and two Phillips screws provided.

**B**

JUNCTION BOX

#8 SCREW

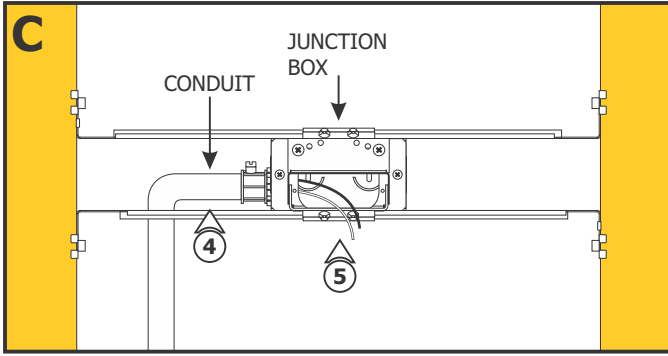
ADJUSTABLE MOUNTING BAR

**NOTE:** Adjustable mounting bars mount to studs that are spaced 14.5" to 25" apart.

**NOTE:** Ensure the opening of the junction box is aligned with the center of the desired fixture location. If necessary, adjust the junction box location by loosening the screws and sliding the junction box to the proper location. Tighten the Phillips screws after adjusting.

**2:** Select the location between the two studs for the junction box to be mounted.

**3:** Place the adjustable mounting bar tabs between the studs. Secure the adjustable bars to the studs with the #8 screws.



**4:** Remove a knockout to install a conduit into the junction box.

**5:** Install conduit(s) (if required by local electrical code) and run the 120V power wires to the junction box.

**NOTE:** If using remote power supply, then run the low voltage 24V wires coming from the remote power supply to the junction box.

**NOTE:** Make sure the junction box is grounded in accordance to local electrical codes.

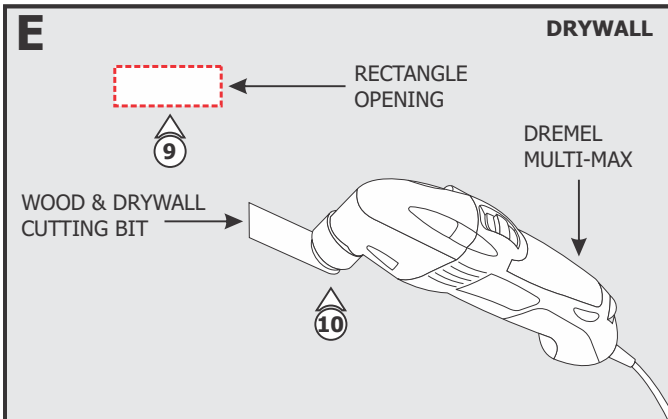
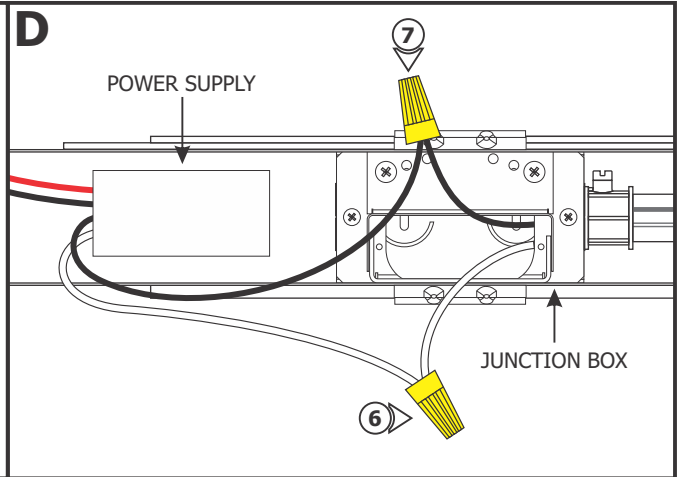
**NOTE:** Omit steps 6 through 8 if using a remote power supply.

**6:** Connect the neutral wire from the 120VAC circuit to the white wire of the power supply using a wire nut.

**7:** Connect the hot wire from the 120VAC circuit to the black wire of the power supply using a wire nut.

**8:** Place the power supply and wires inside the junction box.

**NOTE:** Ensure remote power supply wires are present in the junction box. Refer to the instructions provided with the power supply.

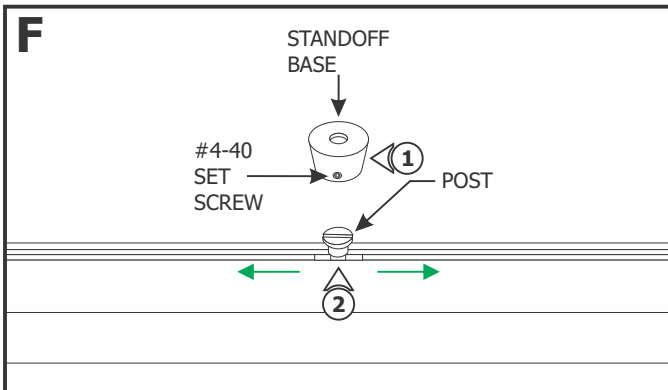


**9:** Mark a rectangle shape on the drywall where the junction box opening will be located depending on selected position.

**10:** Cut out the marked rectangle opening, using a "Dremel Multi-Max" with the "wood & drywall" cutting bit.

**11:** Install & finish drywall.

## Section Two: Install the Center Feed Fixture

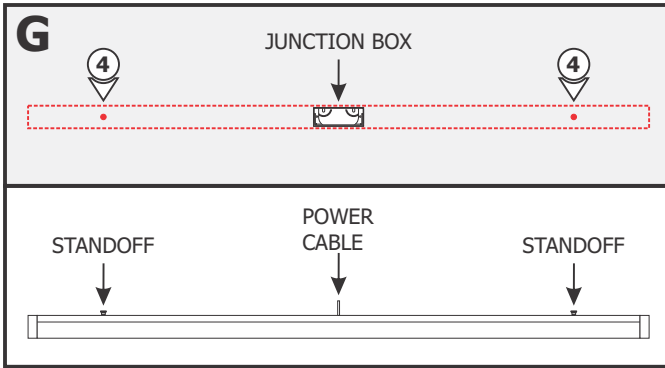


**NOTE:** Omit this section if installing End Feed fixtures. Refer to Section Three.

**1:** Loosen (**Do Not Remove**) the #4-40 set screw on the standoff base using a 0.05" Allen wrench to remove it from the fixture.

**2:** It is recommended to have the posts near the end of the fixture to keep the fixture aligned. Adjust the standoff positions by loosening the post and sliding it across the channel. Tighten the post to secure it in place.

**3:** Repeat steps 1 and 2 for the other standoff post.



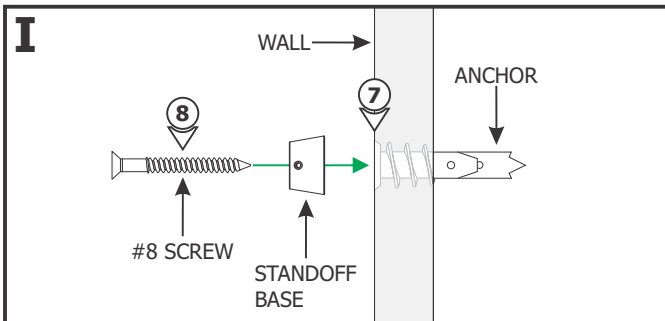
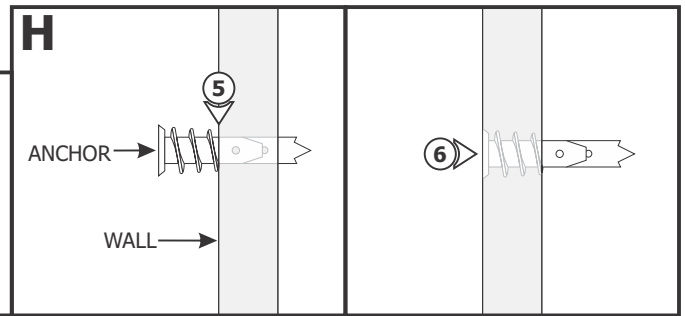
**4:** Lay the fixture to the desired location and mark the locations of the standoff posts on the wall. Ensure markings are leveled and centered with the junction box.

**NOTE:** The channel must pass through the center of the junction box.

**NOTE:** Omit steps 5 and 6 if mounting directly to a wood surface.

**5:** Tap the anchor onto the marked standoff location up to the threaded portion with a hammer.

**6:** Screw in the threaded portion of the anchor with a Phillips screwdriver.

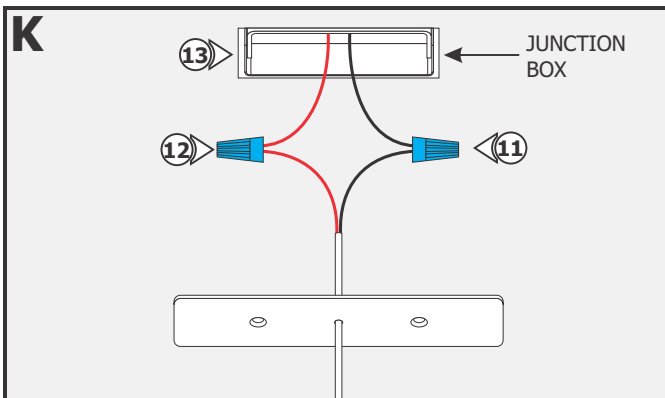
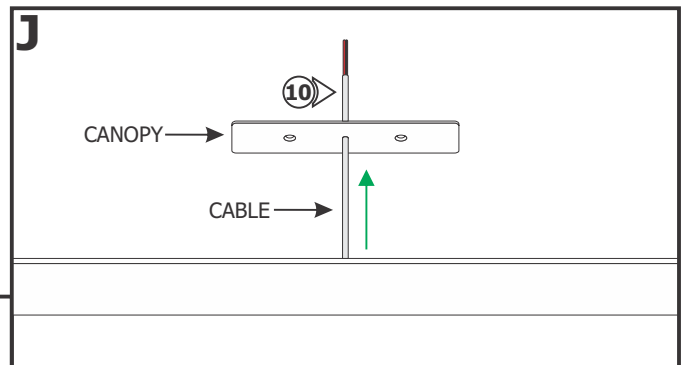


**7:** Feed the #8 screw through the standoff base into the anchor.

**8:** Tighten the #8 screw completely into the anchor.

**9:** Repeat steps 5 through 8 for the other standoff.

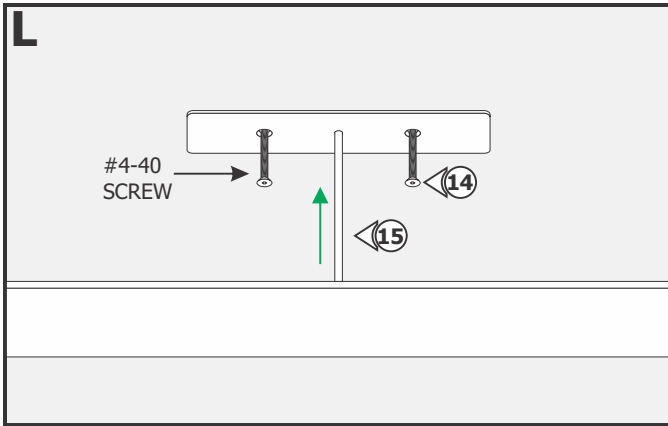
**10:** Feed the cable from the fixture through the canopy (paint to match prior).



**11:** Connect the low voltage -24VDC black power supply wire to the -24VDC black fixture wire using a wire nut.

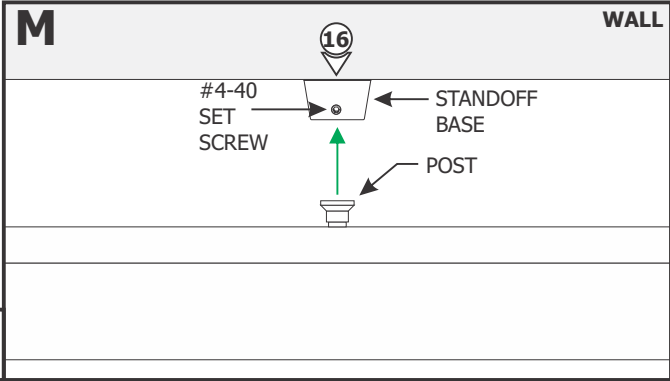
**12:** Connect the low voltage +24VDC red power supply wire to the +24VDC red fixture wire using a wire nut.

**13:** Place all the wires and wire nut connections inside the junction box.

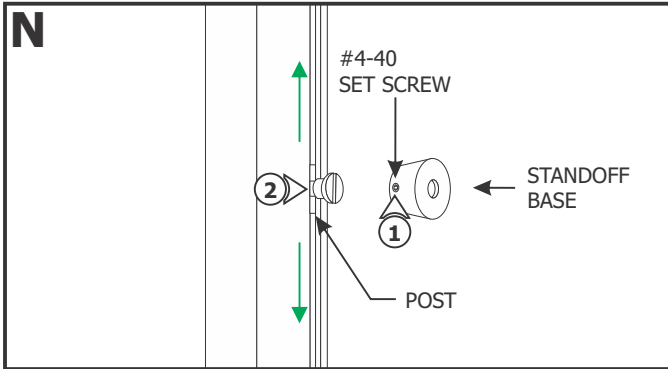


- 14:** Place the canopy over the junction box. Secure it with the two #4-40 screws using a 1/16" Allen wrench.
- 15:** If necessary, push the cable into the junction box.

**16:** Align the posts on the fixture with the standoff bases and secure with the #4-40 set screws.



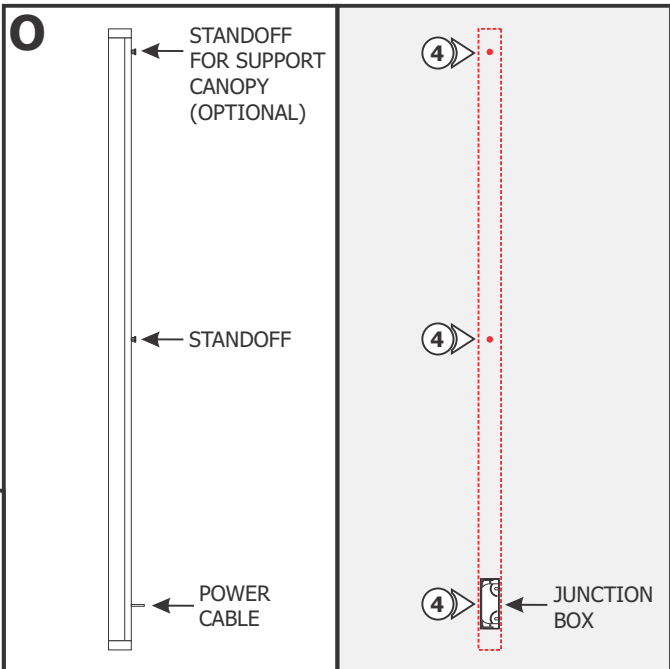
### Section Three: Install the End Feed Fixture

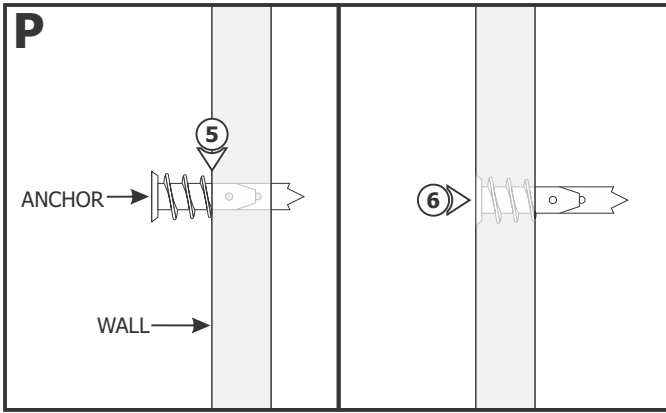


- 1:** Loosen (**Do Not Remove**) the #4-40 set screw on the standoff base using a 0.05" Allen wrench to remove it from the fixture.
- 2:** If necessary, adjust the position of the standoff post by loosening the post and sliding it across the channel. Tighten the post to secure in place.
- 3:** Repeat steps 1 and 2 for additional standoffs.

**4:** Lay the fixture to the desired location and mark the locations of the standoff posts on the wall. Ensure markings are leveled and centered with the junction box.

**NOTE:** The channel must pass through the center of the junction box.



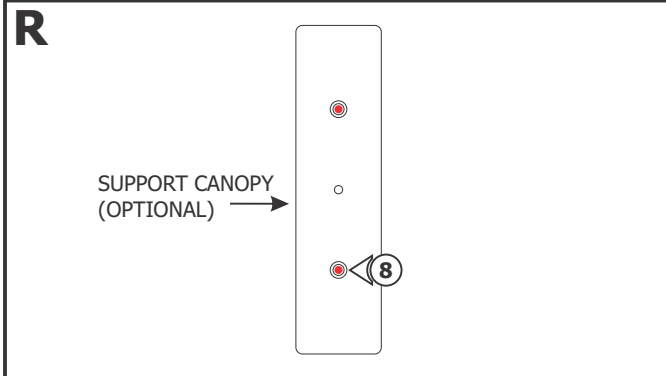
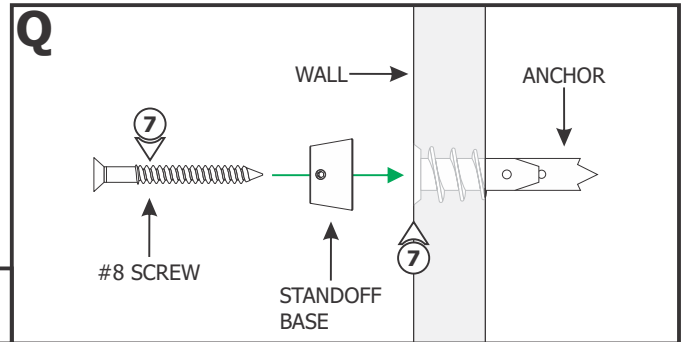


**NOTE:** Omit steps 5 and 6 if mounting directly to a wood surface.

**5:** Tap the anchor onto the marked standoff location up to the threaded portion with a hammer.

**6:** Screw in the threaded portion of the anchor with a Phillips screwdriver.

**7:** Feed the #8 screw through the standoff base into the anchor. Tighten the #8 screw completely into the anchor.



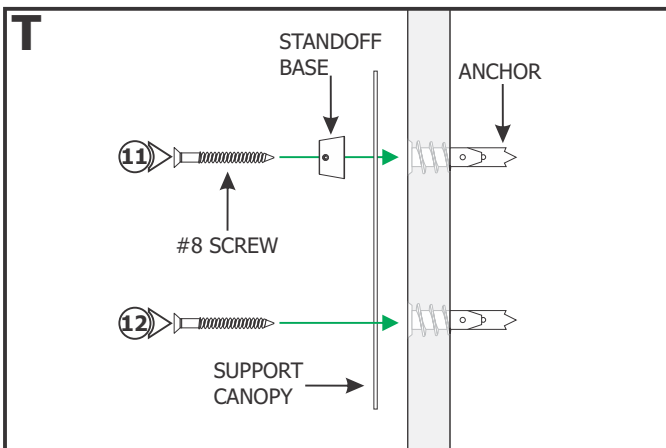
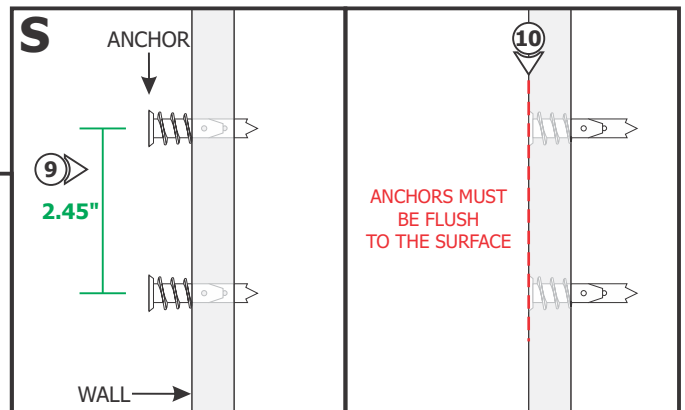
**NOTE:** Omit steps 8 through 12 if the End Feed fixture does not come with a support canopy.

**8:** Align the support canopy with the marked standoff location. Mark one additional point through the canopy.

**NOTE:** Omit steps 9 and 10 if mounting directly to a wood surface.

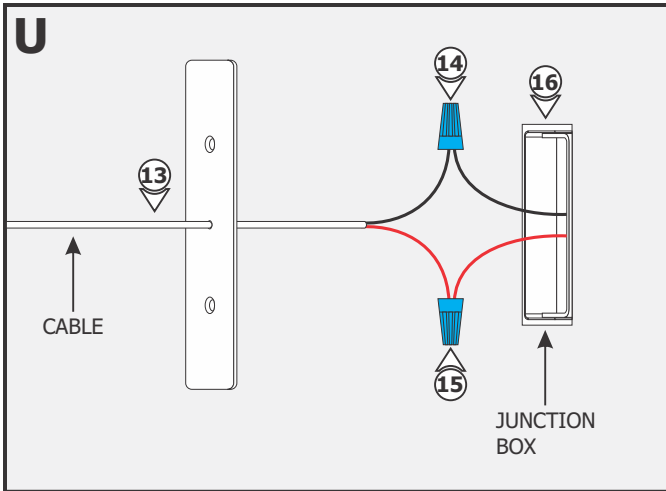
**9:** Tap the anchors onto the new marked points up to the threaded portion with a hammer.

**10:** Screw in the threaded portion of the anchors with a Phillips screwdriver.



**11:** Feed the #8 screw through the standoff base and one hole of the support canopy into the anchor. Tighten the #8 screw completely into the anchor.

**12:** Tighten the other screw through the support canopy into the remaining anchor to secure in place.



**13:** Feed the cable from the fixture through the power canopy (paint to match prior).

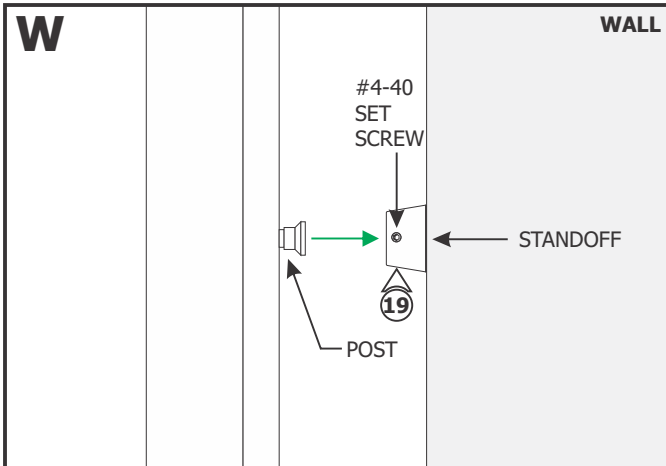
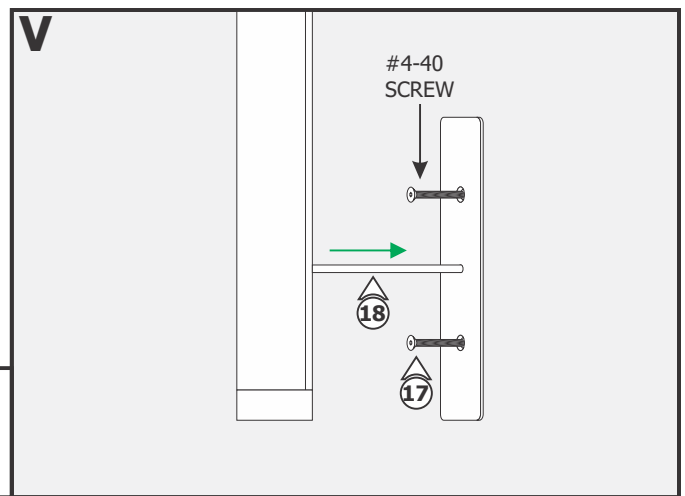
**14:** Connect the low voltage -24VDC black power supply wire to the -24VDC black fixture wire using a wire nut.

**15:** Connect the low voltage +24VDC red power supply wire to the +24VDC red fixture wire using a wire nut.

**16:** Place all the wires and wire nut connections inside the junction box.

**17:** Place the canopy over the junction box. Secure it with the two #4-40 screws using a 1/16" Allen wrench.

**18:** If necessary, push the cable into the junction box.



**19:** Align the posts on the fixture with the standoff bases and secure with the #4-40 set screws.