



1718 W. Fullerton Chicago, IL 60614
 Ph: 773.770.1195 • Fax: 773.935.5613
 www.PureEdgeLighting.com • info@PureEdgeLighting.com
 © 2016 PureEdge Lighting. All Rights Reserved.

Installation Instructions for Nova Suspension Downlight with Power, Center Feed

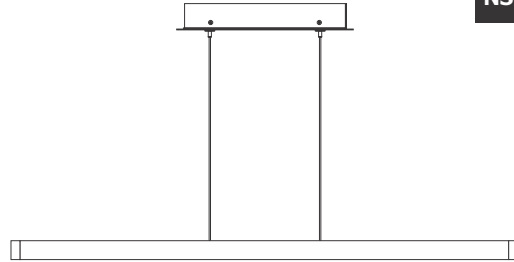
NSD_P-C_ _

NSC_P-C_ _

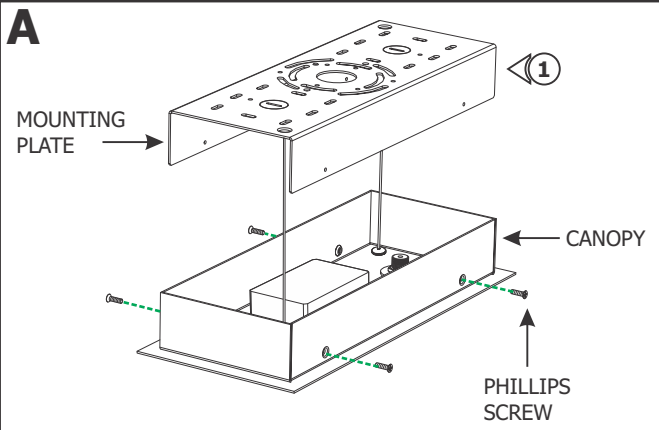
IMPORTANT INFORMATION

- This product is suitable for indoor locations.
- This instruction shows a typical installation.
- Two additional aircraft cables are added for support when the fixture lengths are longer than 96 inches.

SAVE THESE INSTRUCTIONS!



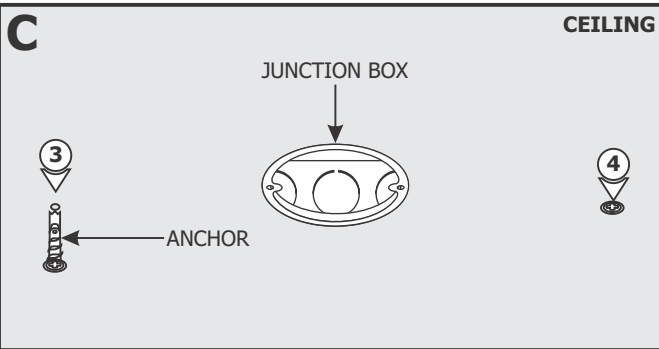
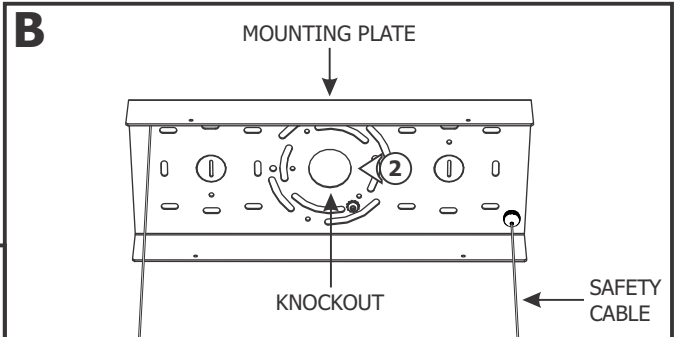
Section One: Install the Canopy



1: Remove the four Phillips screws from the canopy to remove the mounting plate.

NOTE: It is recommended more than one person to assist in this installation.

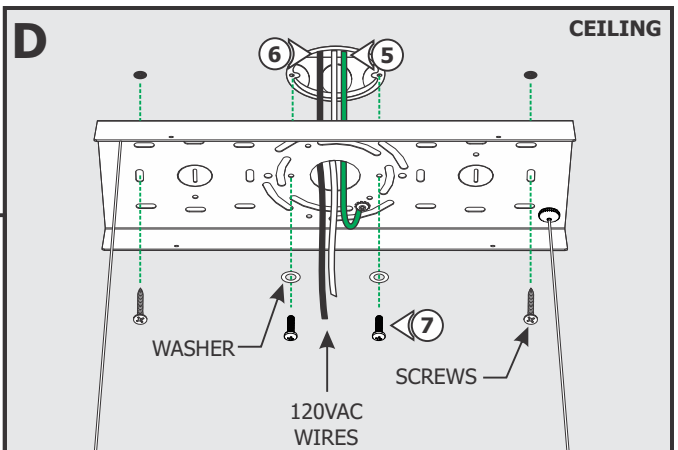
2: Select the appropriate knockout on the mounting plate and remove it using a flathead screwdriver or other appropriate tool.



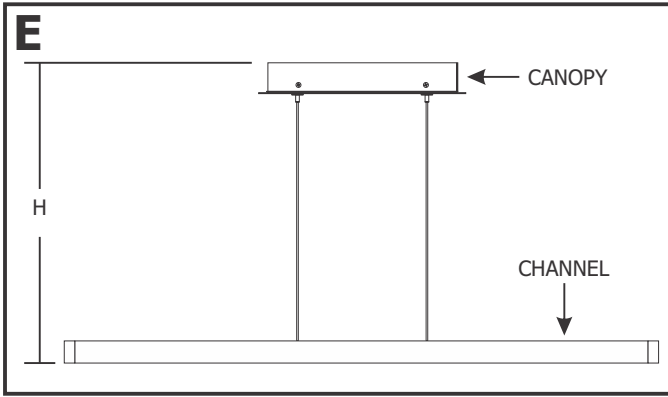
3: Align the mounting plate holes with the junction box holes and mark one point on each side of the junction box through the mounting plate holes onto the ceiling. These points are used for the anchors.

4: Tap the anchors onto the marked points up to the threaded portion with a hammer. Then screw in the threaded portion with a Phillips screw driver.

- 5:** Make sure the mounting plate is grounded in accordance with local electrical codes.
- 6:** Feed the 120VAC power wires through the mounting plate knockout.
- 7:** Secure the mounting plate to the junction box and anchors using the provided screws and washers.



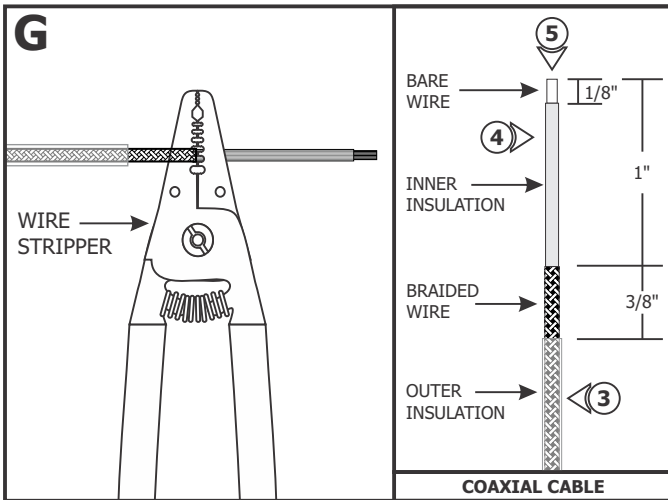
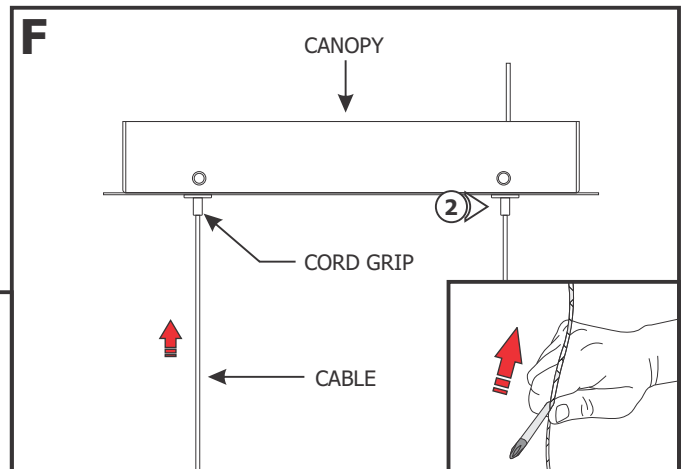
Section Two: Power the Fixture



1: Determine the fixture height (H), from the bottom of the channel to the top of the canopy.

2: Push each cable through the cord grips on the canopy. Push the cord grip to release the cable.

NOTE: If cable is curled or kinked, straighten by holding between the shaft of a screwdriver and thumb and pulling the cable through.

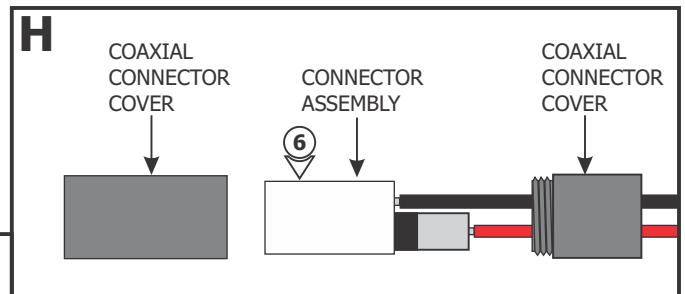


NOTE: Scan the QR Code to watch the video clip of the following steps or visit https://www.PureEdgeLighting.com/video_feed/installation_cxc_connector

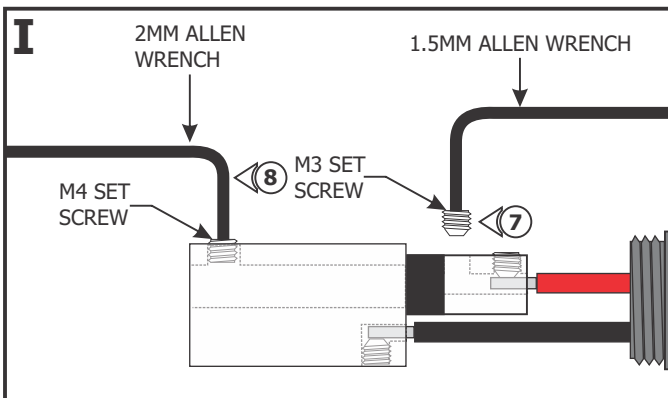
3: Use the 18AWG hole of the wire stripper to remove 1-3/8" of the outer insulation to expose the braided wire.

4: Use the 18AWG hole of the wire stripper to remove 1" of the braided wire making sure not to nick the inner wire insulation.

5: Use the 20AWG hole of the wire stripper to remove 1/8" of the inner insulated wire.

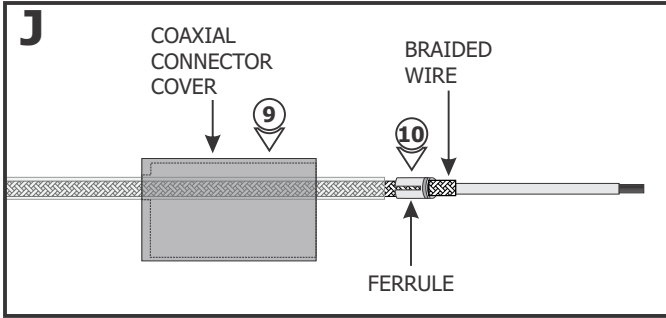


6: Unscrew the coaxial connector covers and remove from the connector assembly.



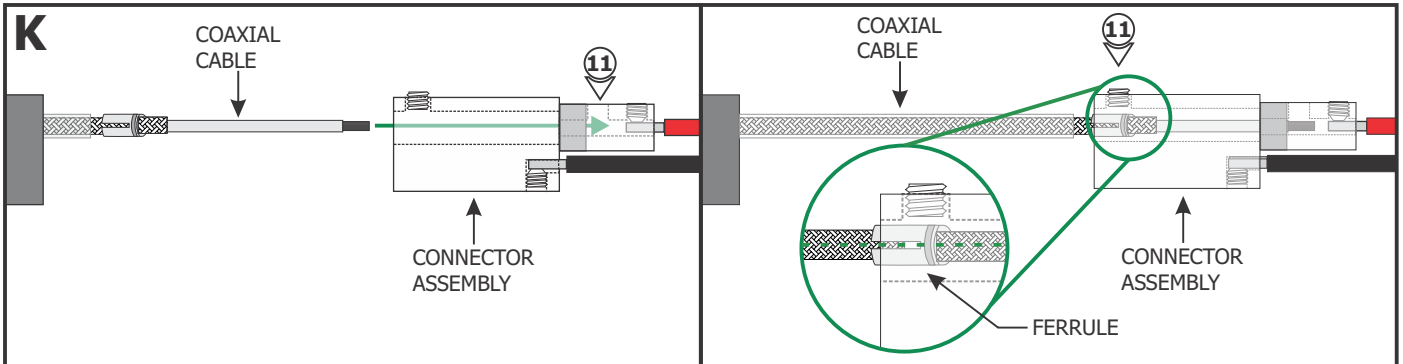
7: Using the provided 1.5mm Allen wrench, remove the M3 set screw from the coaxial connector assembly.

8: Using the provided 2mm Allen wrench to loosen (do not remove) the M4 set screw.



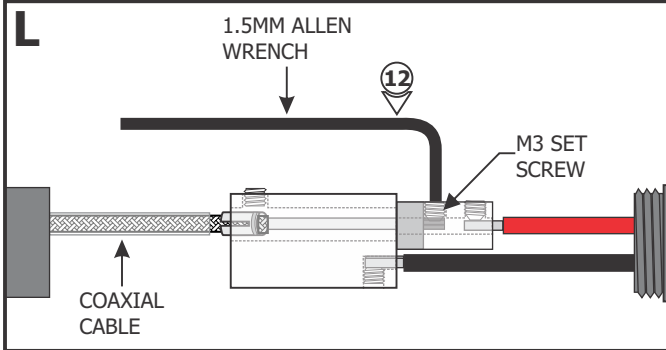
9: Slide the connector cover over the coaxial cable.

10: Place the ferrule over the 3/8" braided wire of the coaxial cable.

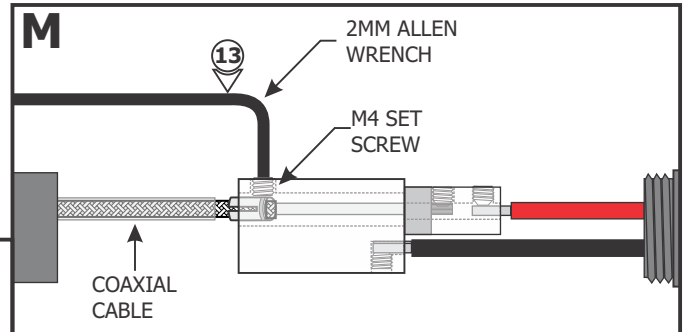


11: Insert the coaxial cable into the coaxial connector until the wires of the center conductor are visible through the M3 set screw hole.

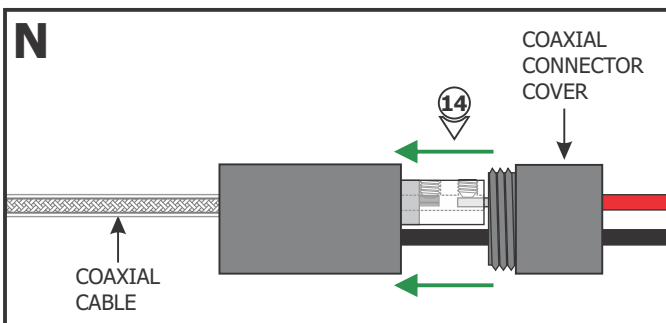
NOTE: Ensure that the split in the ferrule is aligned 90° from the M4 set screw (see inset).



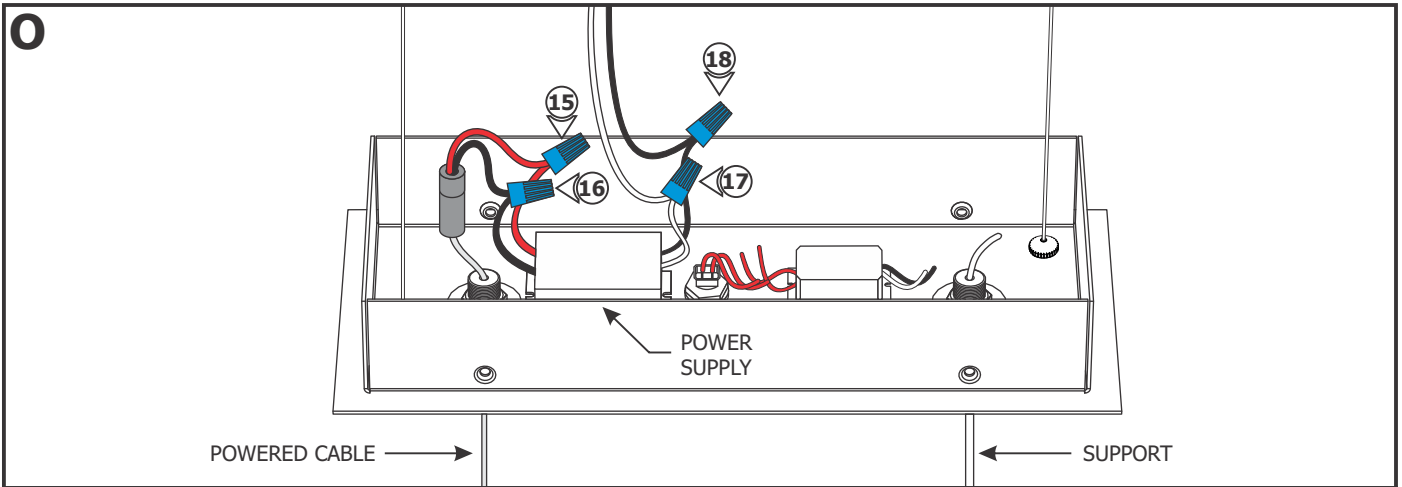
12: Use the provided 1.5mm Allen wrench to replace and securely tighten the M3 set screw.



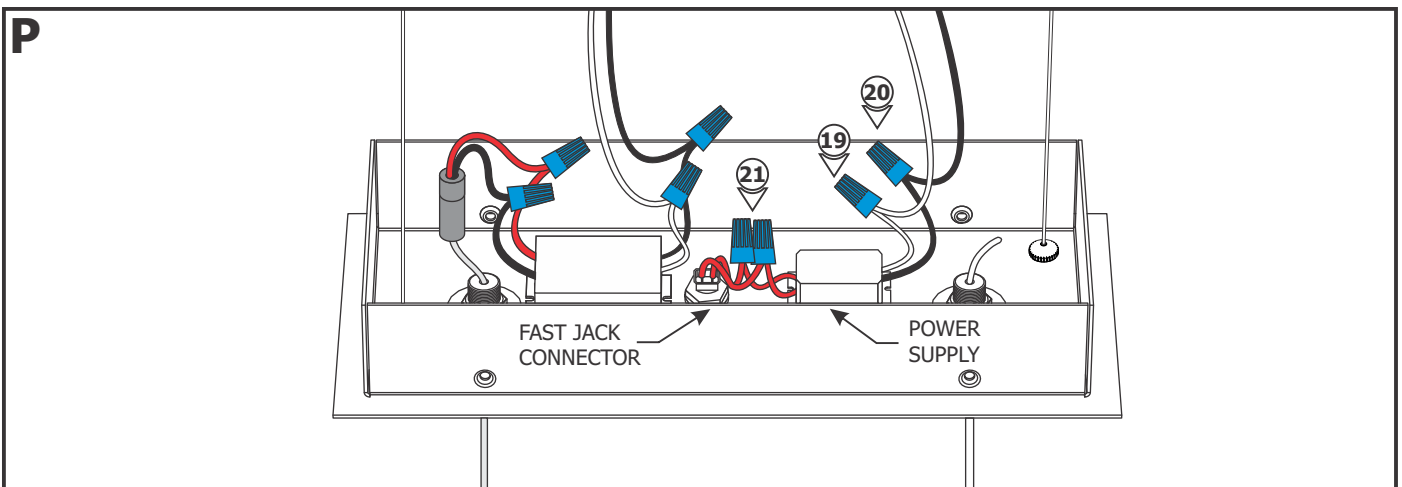
13: Use the provided 2mm Allen wrench to securely tighten the M4 set screw until it squeezes the wire ferrule tightly to the coaxial cable.



14: Replace the coaxial connector cover and tighten into place.

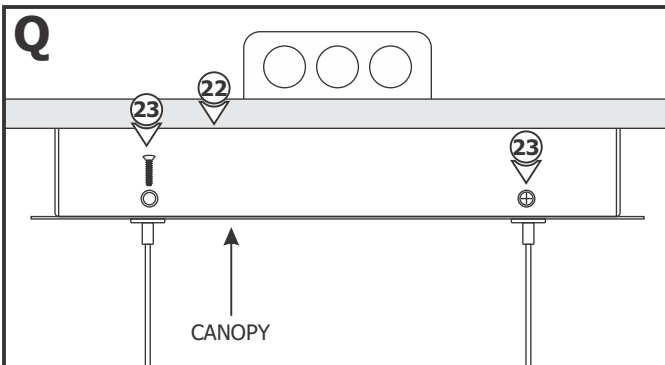


- 15:** Connect the low voltage red wire from the power supply to the red wire of the coaxial connector using a wire nut.
- 16:** Connect the low voltage black wire from the power supply to the black wire of the coaxial connector using a wire nut.
- 17:** Connect the neutral wire from the 120VAC circuit to the white wire of the power supply using a wire nut.
- 18:** Connect the line wire from the 120VAC circuit to the black wire of the power supply using a wire nut.

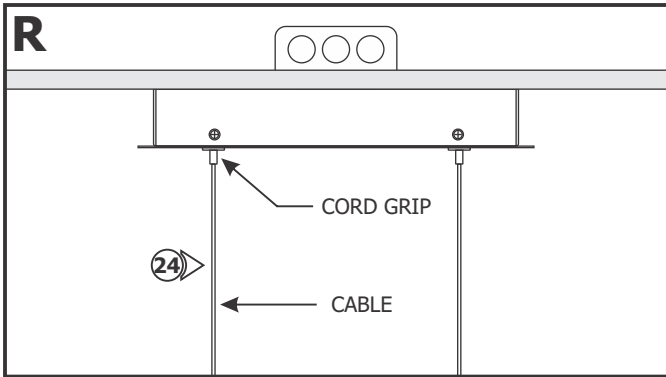


FOR MODELS CONFIGURED WITH FAST JACK PORT:

- 19:** Connect the neutral power wire from a second 120VAC circuit to the white wire of the other power supply with a wire nut.
- 20:** Connect the line wire from the same 120VAC circuit to the black wire of the same power supply with a wire nut.
- 21:** Connect each low voltage red wire from the power supply to each red wire of the Fast Jack connector using a wire nut.

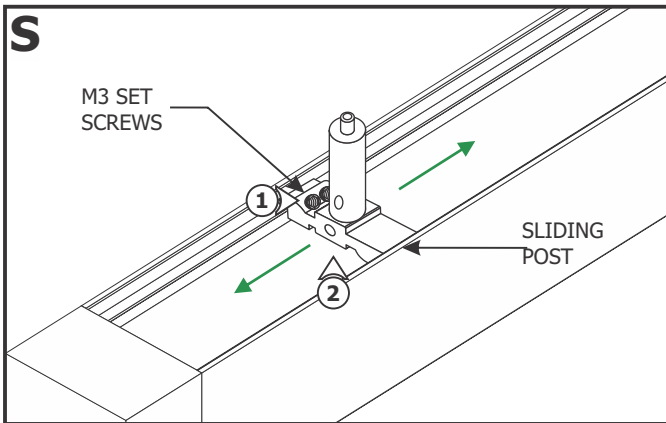


- 22:** Place all the wires and wire nut connections inside the canopy.
- 23:** Align and secure the canopy to the mounting plate by tightening the four screws.



24: To make any adjustments to the fixture height, push the cord grips to slide the fixture up and down until the desired height is achieved. Release the cord grips to lock the cables in place.

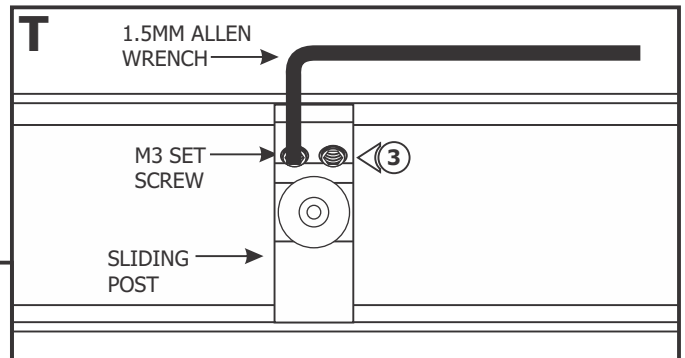
Section Three: Install Additional Support



NOTE: Follow these steps if the Nova fixture (96 inches or longer) is provided with additional supports.

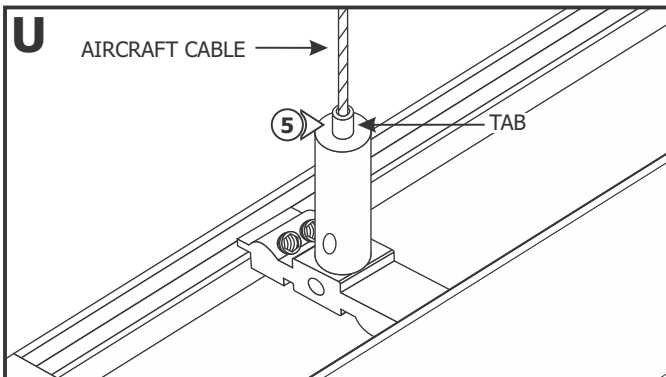
1: Loosen (**Do Not Remove**) the two M3 set screws on the sliding post with a 1.5mm Allen wrench.

2: Adjust the position by moving the sliding post across the channel.

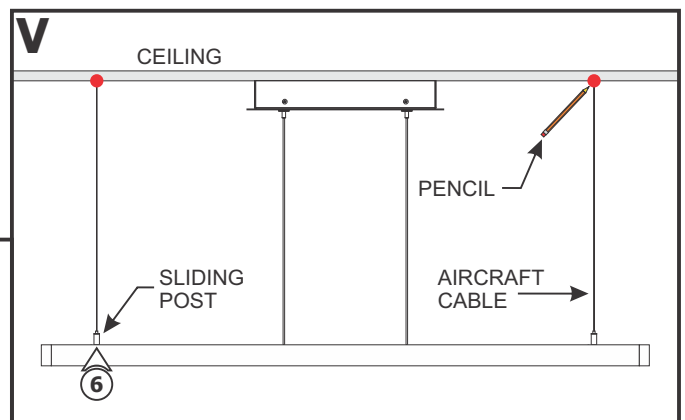


3: Tighten the two M3 set screws.

4: Repeat steps 1 through 3 for the remaining sliding posts.



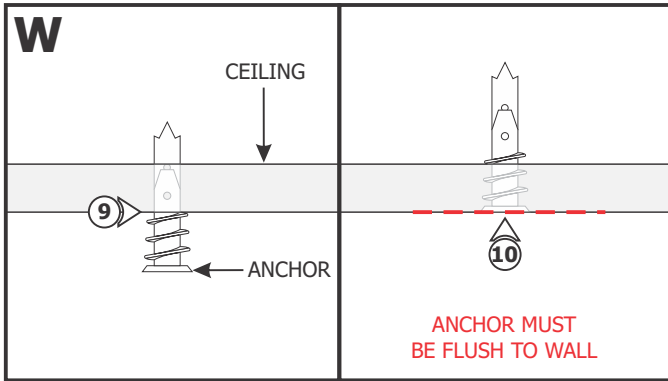
5: Insert the aircraft cable through the top of the tab on the sliding post.



6: Lift the other end of the aircraft cable against the ceiling to mark the location of the standoff.

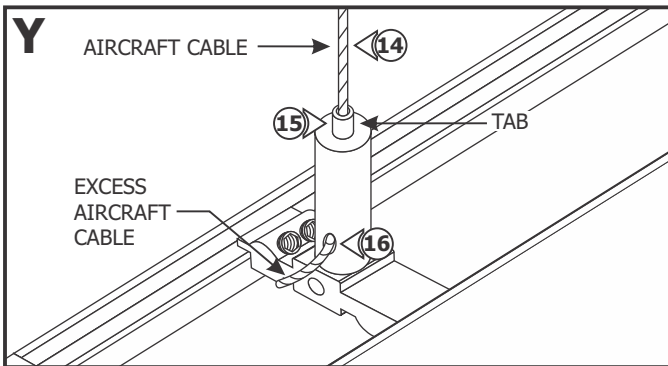
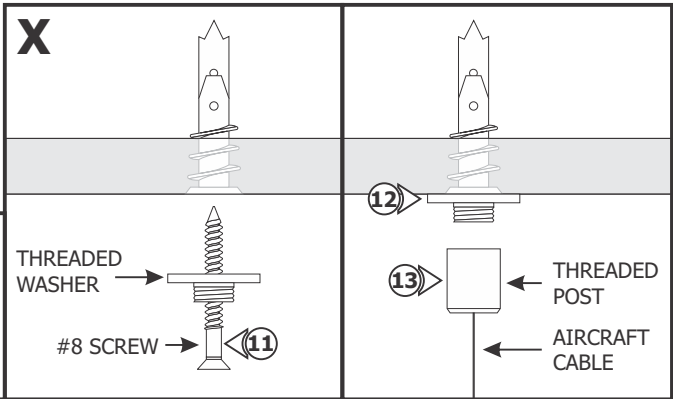
7: Push the tab on the sliding post to remove the aircraft cable.

8: Repeat steps 5 through 7 for the other sliding post.



- 9:** Tap the anchors onto the marked locations up to the threaded portion with a hammer.
- 10:** Screw in the threaded portion of the anchors with a Phillips screwdriver.

- 11:** Feed the #8 screw through the threaded washer.
- 12:** Tighten the #8 screw completely into the anchor.
- 13:** Feed the aircraft cable through the threaded post. Tighten the threaded post completely onto the threaded washer.



- 14:** For each standoff, insert the aircraft cable through the top of the tab on the sliding post.
- 15:** Adjust the height of the fixture by pushing the tab and pulling the aircraft cable out of the side of the sliding post. Release the tab to secure the cable in place.
- 16:** If necessary, trim excess aircraft cable using sharp cutters.

Wiring Diagram

