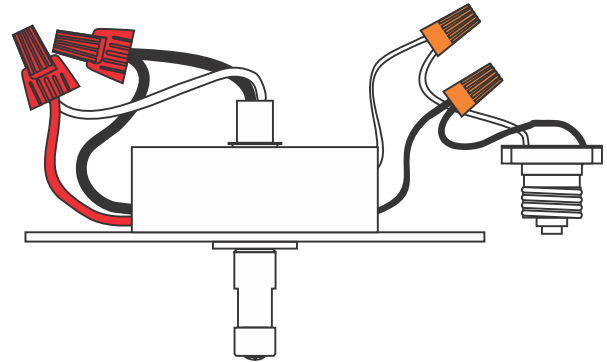


Installation Instructions for Monorail 150 Watt Recessed Can Electronic Transformer 120 Volt Input to 12 Volt Single Feed Output

SAVE THESE INSTRUCTIONS!



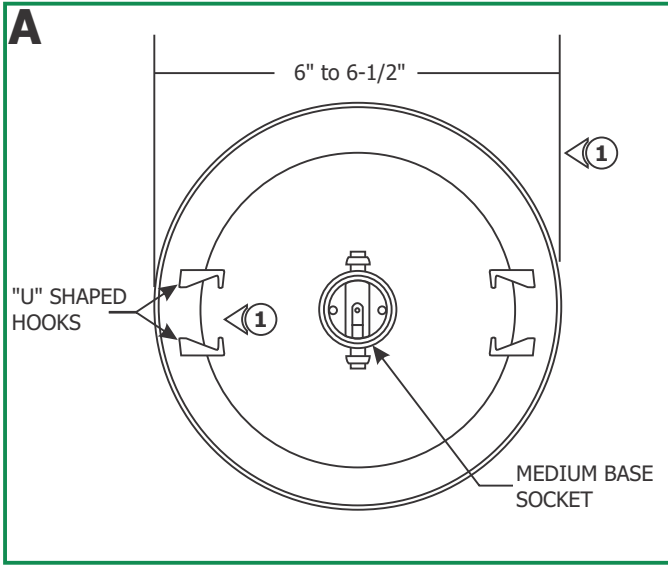
IMPORTANT INFORMATION

- This product is ETL listed for indoor dry locations.
- This product is intended for use with Edge Lighting low voltage lighting systems only.
- This product may be dimmed only with a low voltage electronic dimmer. Using a dimmer other than specified may work initially, but will eventually cause transformer failure and void the warranty. The dimmer must be derated as indicated by the dimmer manufacturer.
- A typical installation is shown. Specific installation must be in accordance with the local electrical codes.
- The Monorail recessed can transformer can be used with the following down lights: Juno IC2, TC2, and TC2R; Halo H7T and H7RT; Cooper lighting H27RT, Capri (Thomas) Lighting PR75ASIC/TPR75ASIC/DY6431; Progress Lighting P7TG, P8-TG and PIO8-TG. Edge Lighting is not affiliated with, nor is it endorsed by, any of the companies listed above.

IMPORTANT SAFETY INSTRUCTIONS

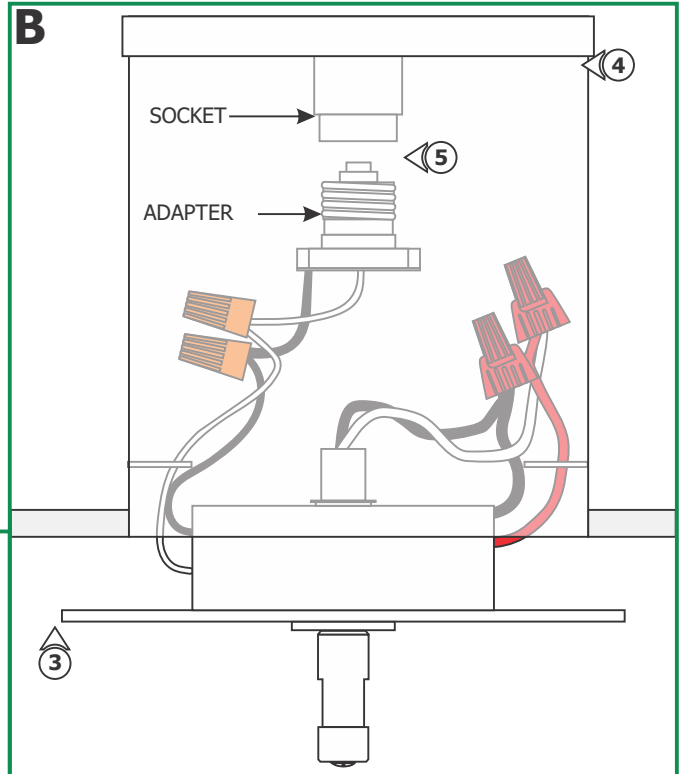
- Do not install this lighting system in a damp or wet location.
- Do not conceal or extend bus bar conductor through building wall.
- To reduce the risk of fire and burns, do not install this lighting system where the insulated open bus bar conductors can be shorted or contact any conductive materials.
- To reduce the risk of the system overheating and possibly causing a fire, make sure all the connections are tight.
- Do not install fixture assemblies closer than six inches, or as specified in the fixture installation instructions, to curtains or similarly combustible materials.
- Turn the electrical power off before modifying the lighting system in any way.
- The fixtures used with the Edge Lighting systems must be identified for use with the corresponding Edge Lighting systems.
- Minimum volume of the electrical box must be 6 cubic inches (98 cubic centimeters).
- The system is "ETL" listed for USA and Canada only when all the products used are supplied by Edge Lighting.

Install the Recessed Can Transformer using the Butterfly Toggles

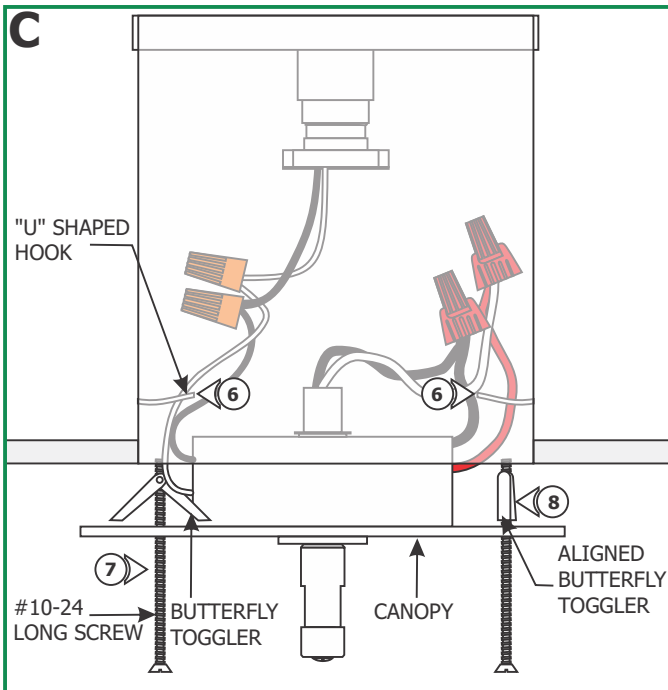


1: The Monorail recessed can transformer can be mounted to down lights that:

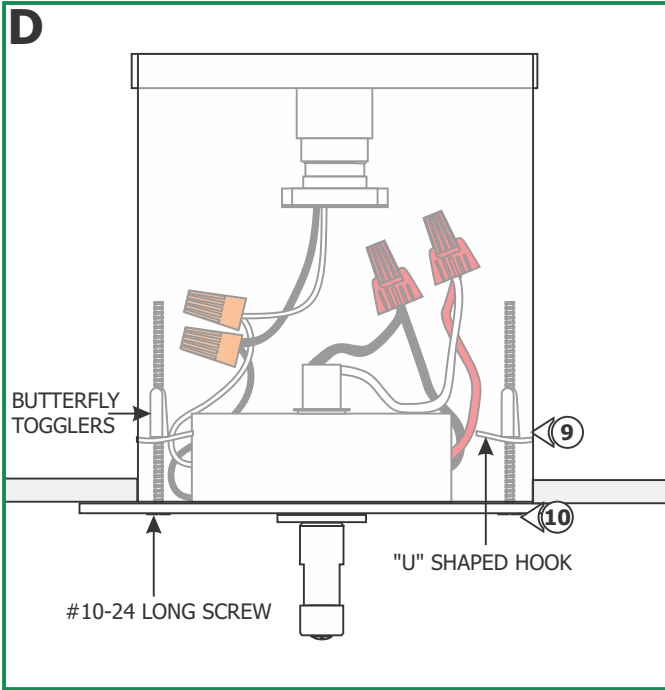
- Contain "U" shaped hooks on the inside of the can wall.
- Are 6" to 6-1/2" in diameter.
- Have a medium base (E26) socket.



- 2:** Turn the power to the recessed down light off.
- 3:** Remove the existing trim and the lamp.
- 4:** Make sure the recessed down light can is grounded in accordance with local electrical codes.
- 5:** Screw the adapter completely into the socket.



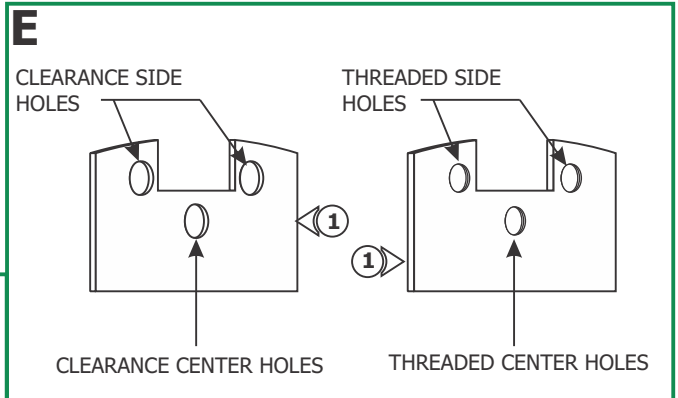
- 6:** Bend the "U" shaped hooks slightly up to hold the butterfly togglers.
- 7:** Push the #10-24 long screws through the canopy holes.
- 8:** Screw the butterfly togglers onto the tips of the #10-24 long screws.



9: Align and hang the butterfly togglers onto the "U" shaped hooks on both sides of the down lights.

10: When the butterfly togglers are properly hung onto the "U" shaped hooks, tighten the long screws by keeping a light tension on the canopy. This will prevent the butterfly anchors from slipping off of the "U" shaped hooks.

Install the Recessed Can Transformer using the Mounting Bracket



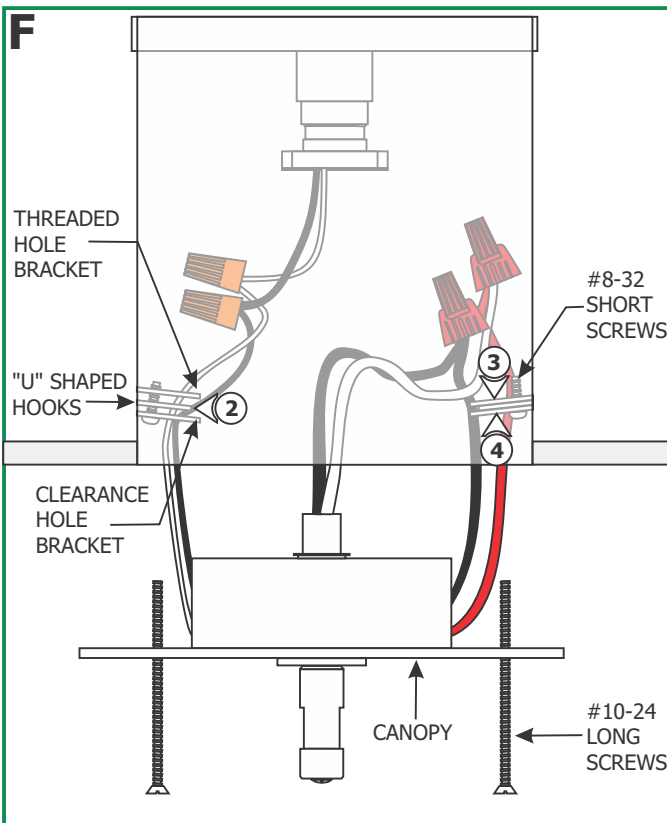
1: There are four mounting brackets included in the package, two of them with threaded holes and two others with clearance holes. Each set uses a threaded and a clearance hole brackets.

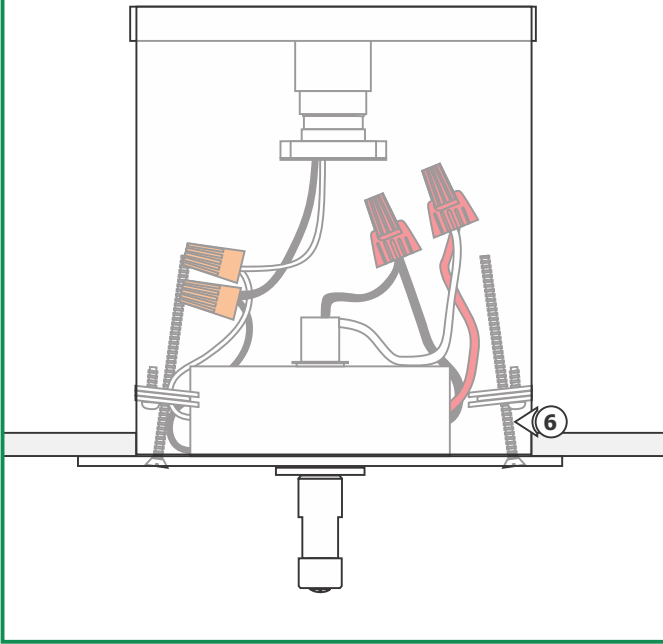
2: Bend the "U" shaped hooks slightly down to avoid cross threading the #10-24 long screws that hold the canopy.

3: Lay one threaded hole bracket on top of the "U" shaped hook so that the curve section of the bracket is in contact with the inside can wall.

4: From the bottom of the "U" shaped hook, hold the clearance hole bracket. Line the two bracket holes up and screw them together with two #8-32 short screws so that these brackets clamp the "U" shaped hooks.

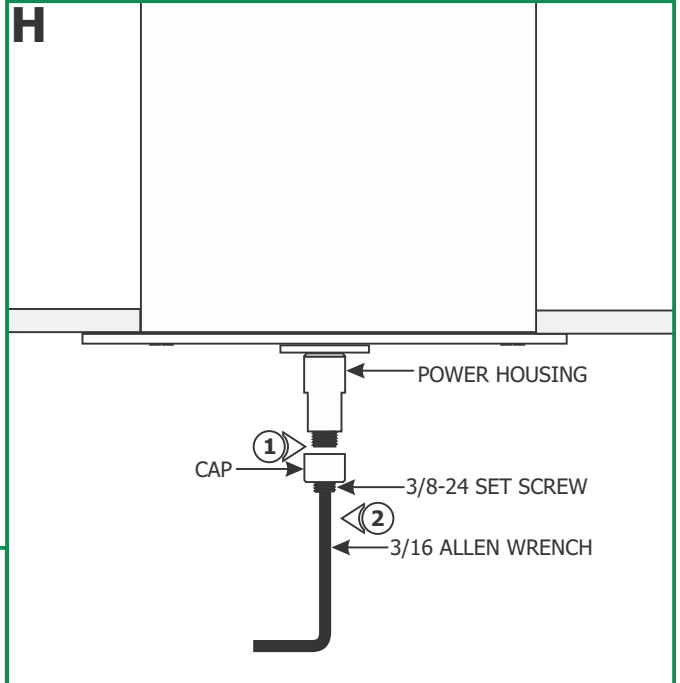
5: Repeat steps 2 through 4 for the other "U" shaped hooks.



G

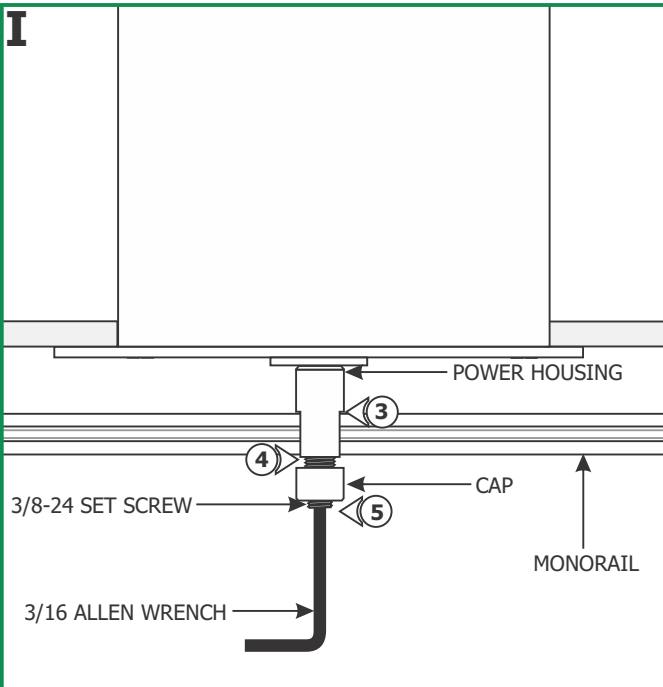
6: Screw the #10-24 long screws into the center hole of brackets.

Connect the Monorail to the Recessed Can Transformer

H

1: Unscrew the cap from the power housing.

2: Slightly loosen the 3/8-24 set screw on the cap with the 3/16 Allen wrench provided, **DO NOT REMOVE IT.**

I

3: Place the Monorail into the power housing and support it with the standoffs (refer to the instructions provided with the standoffs).

4: Tighten the cap to the power housing. **Make sure the cap is not cross threaded.**

5: Tighten the 3/8-24 set screw with the 3/16 Allen wrench provided on the cap firmly for proper power connection.