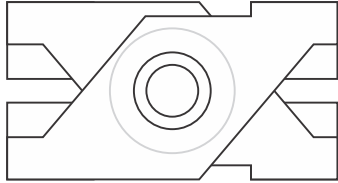


Installation Instructions for T-Bar Clip

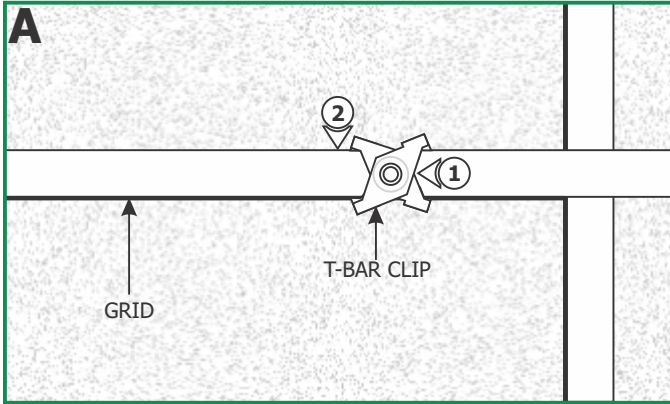
IMPORTANT INFORMATION

- This product is ETL listed for indoor dry locations.
- This accessory should be used with Edge Lighting Monorail and Monorail 2 Circuit standoffs.
- The T-Bar clip fits on 9/16" and 15/16" T-Bar grids.

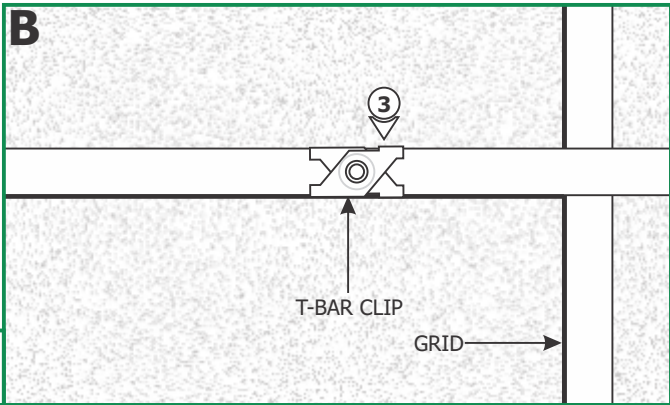
SAVE THESE INSTRUCTIONS!



Install the T-Bar Clip

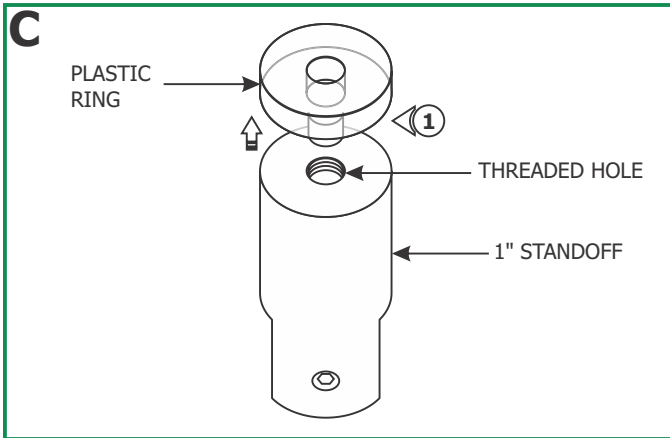


- 1:** Open the T-Bar clip arms to fit over the grid.
- 2:** Select the location on the grids where the standoff will be mounted.

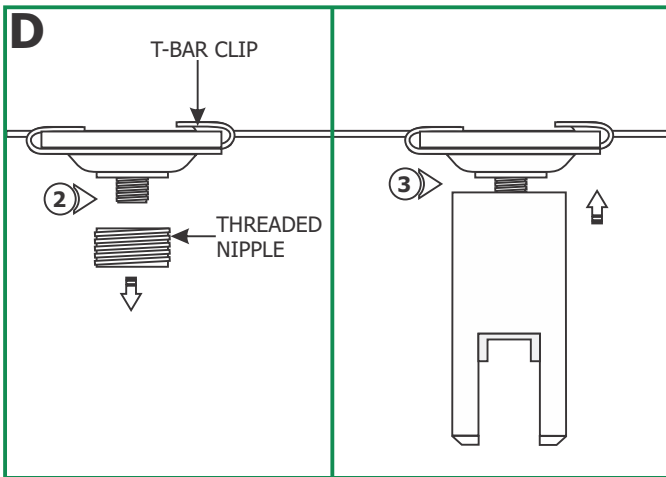


- 3:** Place the T-Bar clip onto the grid by squeezing the arms together.

Install the T-Bar Clip to a 1" Standoff



- 1: (OPTIONAL):** If the 1" standoff has the plastic ring attached, then remove the plastic ring and clean the threaded hole.



- 2: Remove the threaded nipple from the T-bar clip.
- 3: Tighten the 1" standoff to the T-bar clip.
- 4: Refer to the instructions provided with the 1" standoffs to complete the installation.

Install the Rigid (2"-96") or Adjustable Standoffs to the T-Bar Clip

- 1: Tighten the standoff threaded post completely onto the T-Bar clip threaded nipple.
- 2: Refer to the instructions provided with the standoffs to complete the installation.

