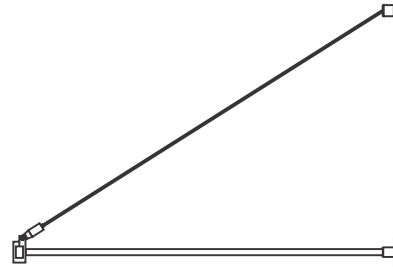


Installation Instructions for Monorail Out Rigger Standoff

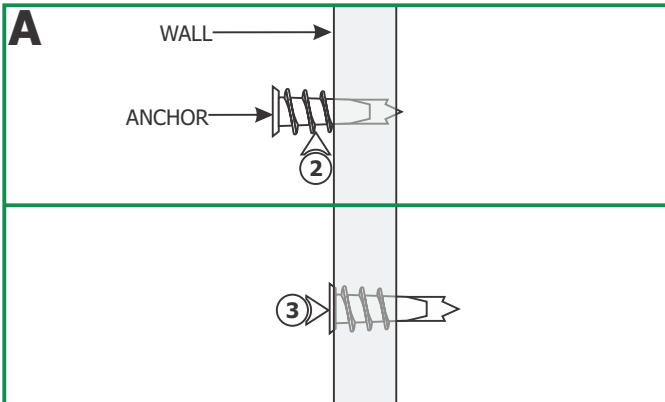
IMPORTANT INFORMATION

- This product is ETL listed for indoor dry locations.
- The product is intended to be used with Edge Lighting Monorail systems only.
- This product should be used with outrigger power feed.

SAVE THESE INSTRUCTIONS!

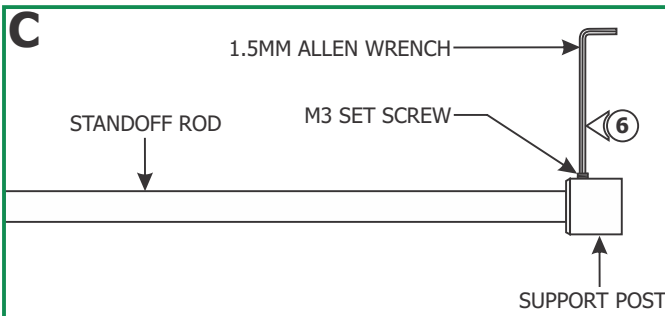
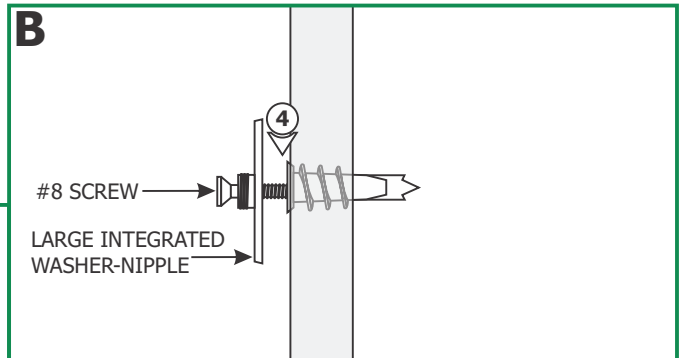


Install the Standoff

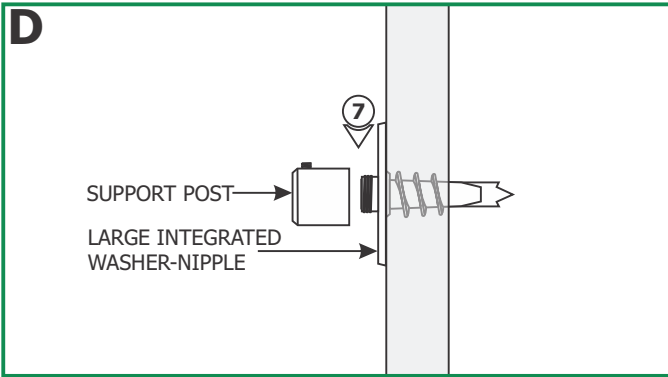


- 1:** Mark the out rigger standoff locations onto the wall where the Monorail is going to be installed.
- 2:** Using a hammer tap in the anchor onto the marked location up to the threaded portion.
- 3:** Screw in the threaded portion of the anchor with a Phillips screwdriver.

- 4:** Mount the large integrated washer-nipple to the anchor using the #8 screw provided.
- 5:** Follow steps 2 through 4 for the remaining standoffs.

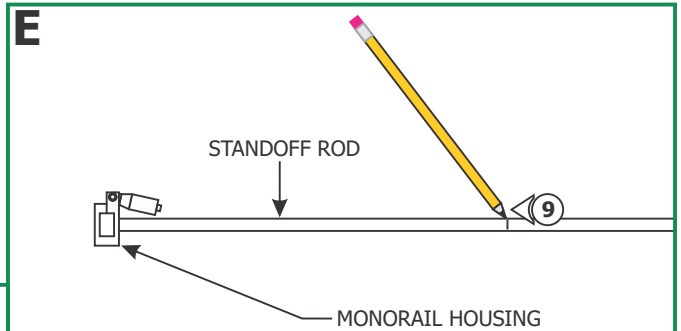


- 6:** Loosen the M3 set screw on the support post (**Do Not Remove**) with the provided 1.5mm Allen wrench and detach the support post from the standoff rod.

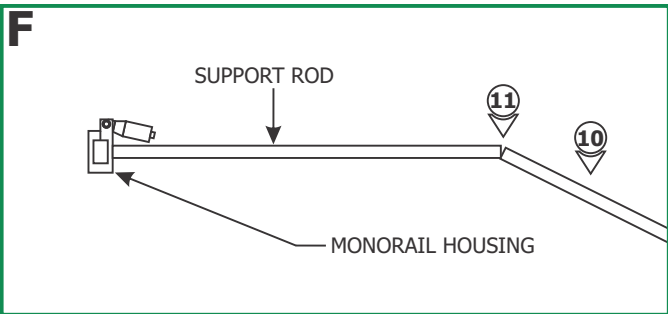


7: Screw the support post completely onto the large integrated washer-nipple.

8: Follow steps 6 & 7 for the remaining standoffs.



9: (Optional) From the end of the standoff rod mark the section of the standoff rod that needs to be shortened.



10: (Optional) Cut the marked sections of the support rod with a hacksaw.

11: (Optional) Clean the inside and the outside burrs of the cut sections.

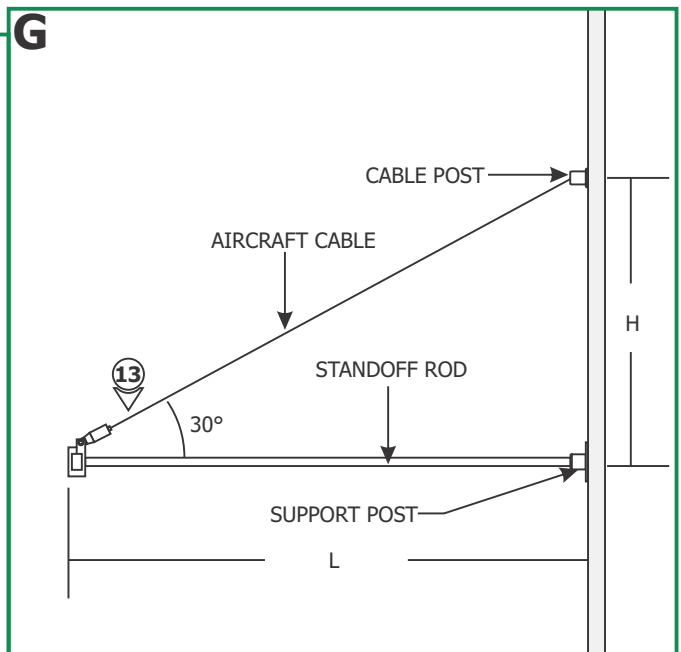
12: (Optional) Follow steps 9 through 11 for the remaining standoffs.

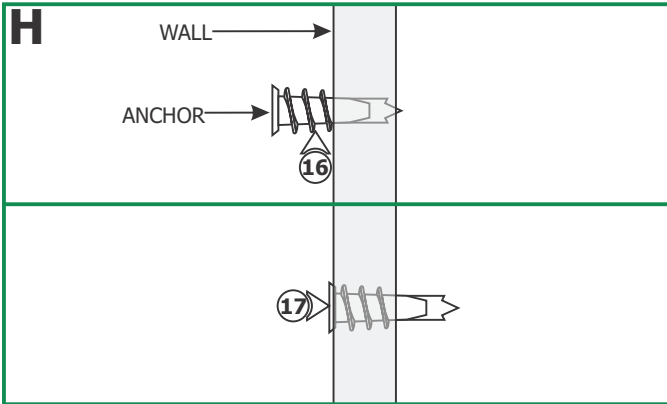
13: The cable post should be above the support post at a minimum of 30° angle between the standoff rod and the aircraft cable to properly lock the aircraft cable in position.

14: Use the tables below to determine the cable post position relative to the support post for various angles.

ANGLE	EQUATION FOR HEIGHT (H)
30°	$H = 0.6 \times L$
45°	$H = L$
60°	$H = 1.7 \times L$

LENGTH(L)	(H) FOR 30°	(H) FOR 45°	(H) FOR 60°
36"	21"	36"	62"
24"	14"	24"	42"
12"	7"	12"	21"





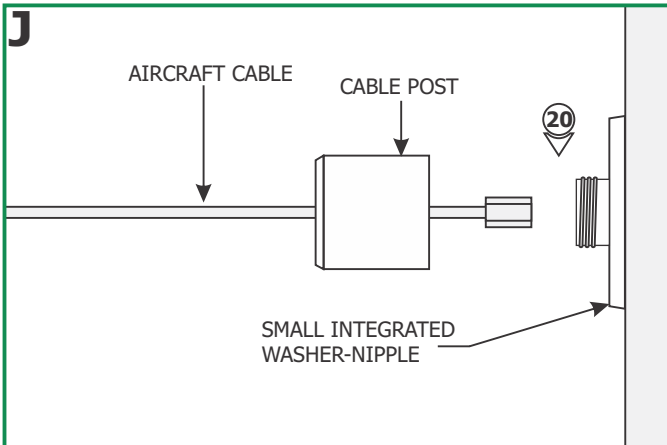
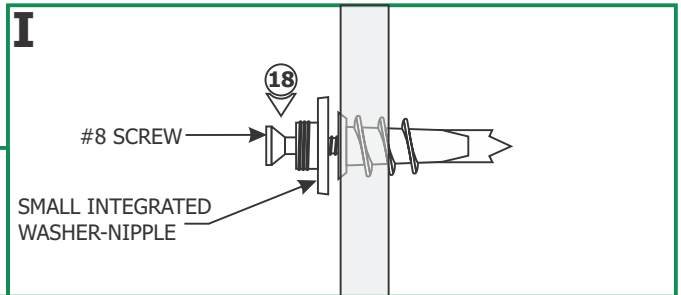
15: Mark the cable post location on the wall above the support post. (See table on page 2 for measurements).

16: Using a hammer tap in the anchor on the marked location up to the threaded portion.

17: Screw in the threaded portion of the anchor with a Phillips screwdriver.

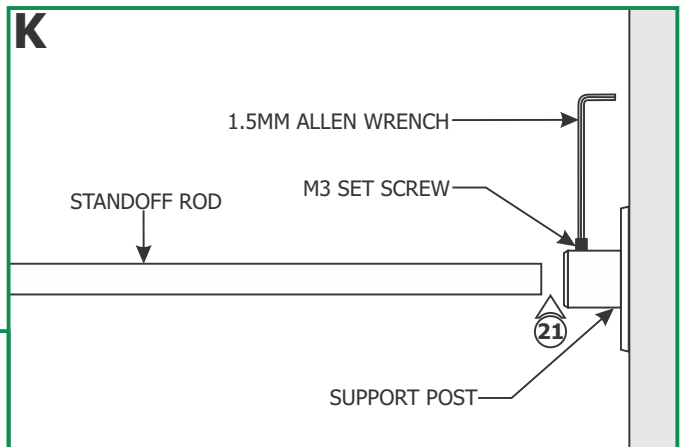
18: Mount the small integrated washer-nipple to the anchor using the #8 screw provided.

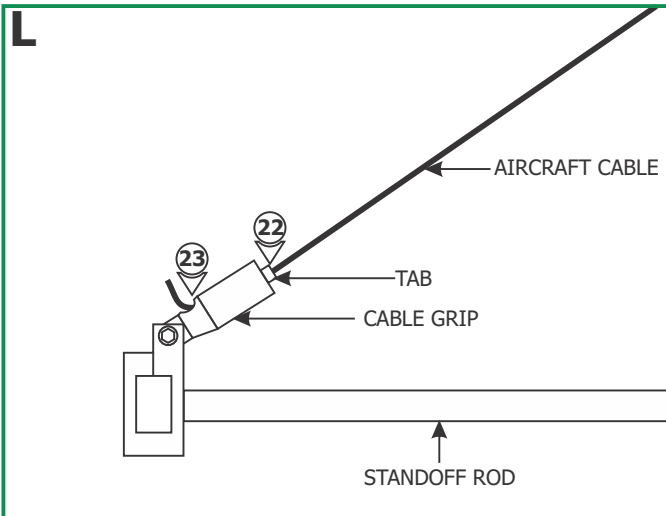
19: Follow steps 15 through 18 for the remaining standoffs.



20: Feed the aircraft cable through the cable post and screw the cable post completely onto the small integrated washer-nipple. Repeat this step for the remaining standoffs.

21: Push the standoff rod completely into the support post and secure it by tightening the M3 set screw with the provided 1.5mm Allen wrench





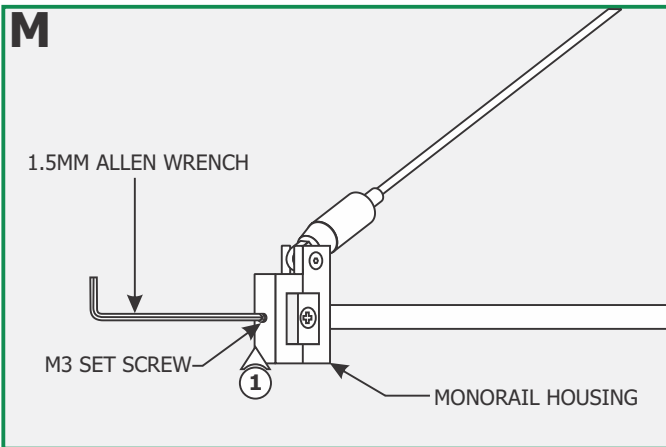
22: Feed the aircraft cable through the cable grip by pushing the tab down.

23: Pull the aircraft cable out through the hole on the cable grip. Adjust the standoff rod so that it is perpendicular to the wall, release the tab to lock the standoff in place.

24: Trim off the excess aircraft cable coming out of the cable grip.

25: Repeat steps 20 through 24 for the remaining standoffs.

Install the Monorail to Out Rigger Standoffs



1: Slightly loosen the M3 set screws on the front of each of Monorail housings, (**Do Not Remove**) with the 1.5mm Allen wrench.

- 2:** Slide the Monorail through the opening of each Monorail housing.
- 3:** Adjust the Monorail in Monorail housings and tighten the two M3 set screws on each housing with the 1.5mm Allen wrench to secure the Monorail in place.

