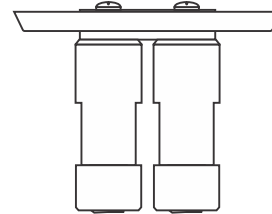


Installation Instructions for Monorail 2" Square Dual Power Feed Canopy

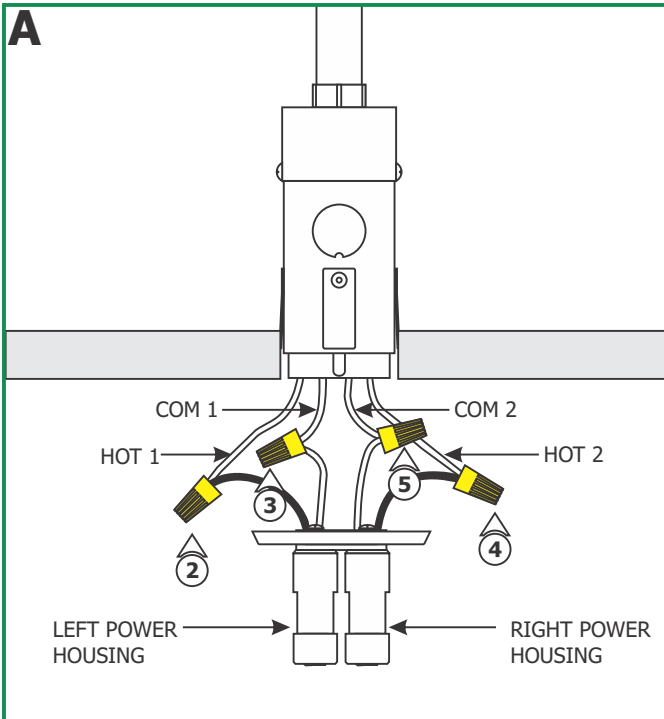
IMPORTANT INFORMATION

- This product is ETL listed for indoor dry locations.
- This product installs to Edge Lighting 2" electrical box only.
- Minimum electrical box volume must be 6 cubic inches (98 cubic centimeters).
- This product should be installed by a qualified electrician.

SAVE THESE INSTRUCTIONS!

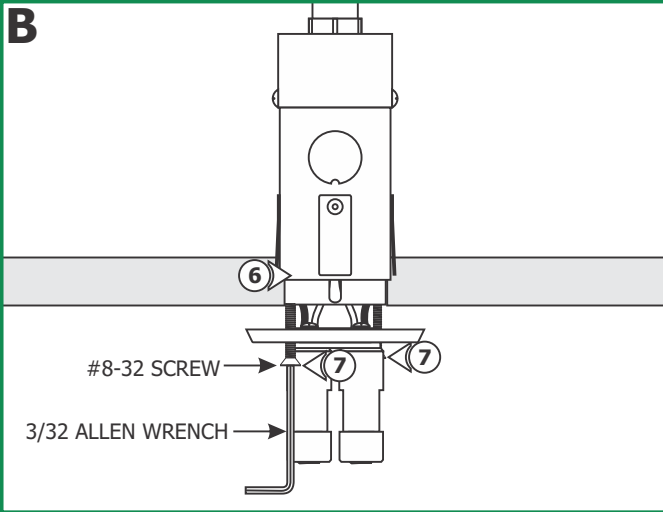


Install the Canopy



NOTE: The low voltage wires should be present in the 2" electrical box. Refer to the instructions provided with the remote transformer to install the transformer and the low voltage wires before proceeding with the steps below.

- 1:** Turn the power to the 2" electrical box off.
- 2:** Starting with left power housing, connect the black wire (that is attached to the center contact) to the transformer wire marked "HOT 1" with a wire nut.
- 3:** Connect the remaining wire (clear) of the left power housing to the transformer wire marked "COM 1" with a wire nut.
- 4:** Connect the black wire of the right power housing (that is attached to the center contact) to the transformer wire marked "HOT 2" with a wire nut.
- 5:** Connect the remaining wire (clear) of the right power housing to the last transformer wire marked "COM 2" with a wire nut.

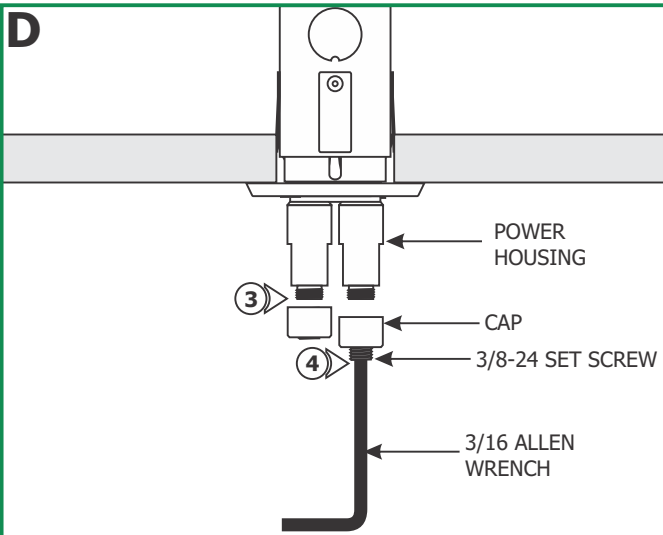
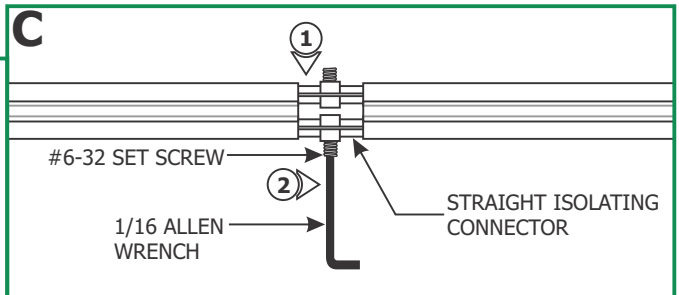


6: Place all wires inside the 2" electrical box.

7: Secure the power feed canopy to the 2" electrical box by tightening the two provided #8-32 screws with the 3/32 Allen wrench.

Install the Monorail to Power Feed Canopy

- 1:** Push the straight isolating connectors completely into one Monorail section end and push the other Monorail section entirely onto the straight isolating connectors.
- 2:** Tighten the #6-32 set screws on the isolating connector firmly with the 1/16 Allen wrench. **Do not over tighten the set screws as this may strip the threads.**



3: Remove the caps from the power housings.

4: Slightly loosen the 3/8-24 set screw on the caps with the 3/16 Allen wrench provided, **DO NOT REMOVE THEM.**

- 5:** Place the Monorail sections into the power housings and standoff housings. **Make sure that the straight isolating connectors are in the middle between the power housings.** Make sure that the Monorail sections are supported by the standoffs. Refer to the instructions provided with the standoffs.
- 6:** Tighten the caps to the power housings. **Make sure the caps are not cross threaded.**
- 7:** Tighten the 3/8-24 set screw on the caps with the 3/16 Allen wrench firmly for proper power connection.

