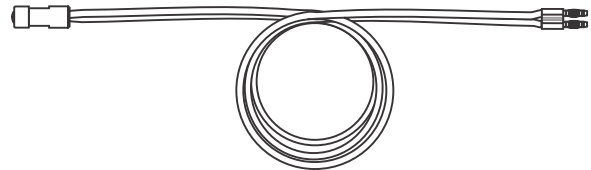


Installation Instructions for Monorail Adjustable Power Feed

IMPORTANT INFORMATION

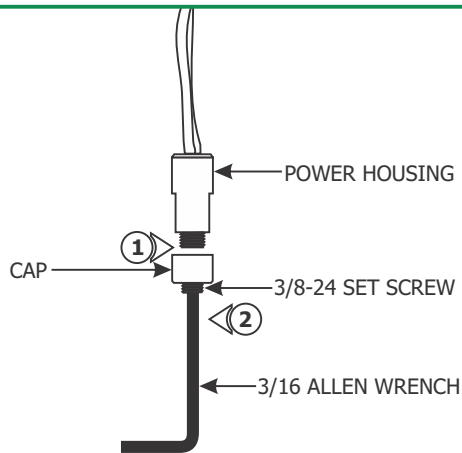
- This product is ETL listed for indoor dry locations.
- The product is intended to be used with Edge Lighting Monorail surface mount transformers only.
- This product jumps the power from the transformer to the Monorail.

SAVE THESE INSTRUCTIONS!



Install the Monorail Adjustable Power Feed

A



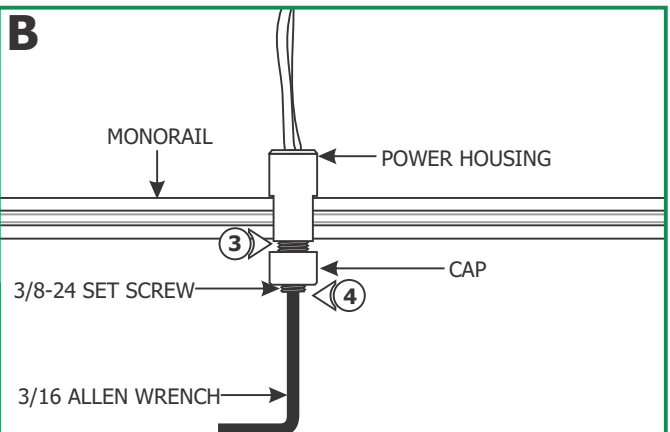
NOTE: The entire Monorail system should be installed before connecting the adjustable power feed (refer to the instructions provided with each product for further details).

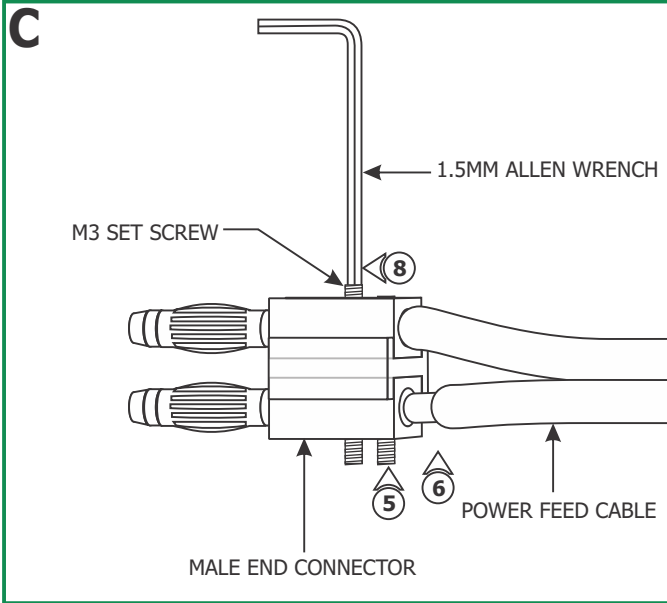
- 1: Unscrew the cap from the power housing.
- 2: Slightly loosen the 3/8-24 set screw on the cap with the 3/16 Allen wrench provided, **DO NOT REMOVE IT.**

3: Place the power housing onto the Monorail and tighten the cap to the power housing. **Make sure the cap is not cross threaded.**

4: Tighten the 3/8-24 set screw with the 3/16 Allen wrench provided on the cap firmly for proper power connection.

B





5: (OPTIONAL) To shorten the adjustable power feed cable, loosen the four M3 set screws on the male end connector (**Do Not Remove**) with the 1.5mm Allen wrench provided.

6: Remove the male end connector and trim the adjustable power feed cable to the desired length.

7: Strip 3/8" off of the insulation from the end of the wires.

8: Insert the stripped portion of the wires completely into the male end connector and tighten the four M3 set screws firmly with the 1.5mm Allen wrench.

NOTE: The 12 volt 600 watt, dual feed Monorail surface mount transformer, MT-600-D12-_ models require two Monorail adjustable power feed, one for each feed contact.

9: Push the male end connector completely into the Monorail surface mount transformer feed contact.

