



1718 W. Fullerton Chicago, IL 60614
 Ph: 773.770.1195 • Fax: 773.935.5613
 www.PureEdgeLighting.com • info@PureEdgeLighting.com
 © 2016 PureEdge Lighting. All Rights Reserved.

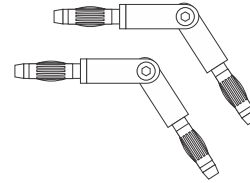
Installation Instructions for Monorail Flexible Conductive Connector

MC-FX_

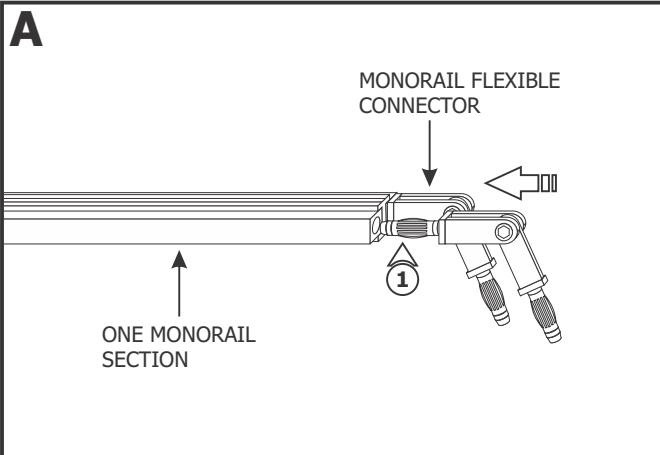
IMPORTANT INFORMATION

- This product is ETL listed for indoor dry locations.
- This product joins and electrically conducts two Monorail sections end to end at any sharp angle.
- The product is intended to be used with PureEdge Lighting Monorail systems only.

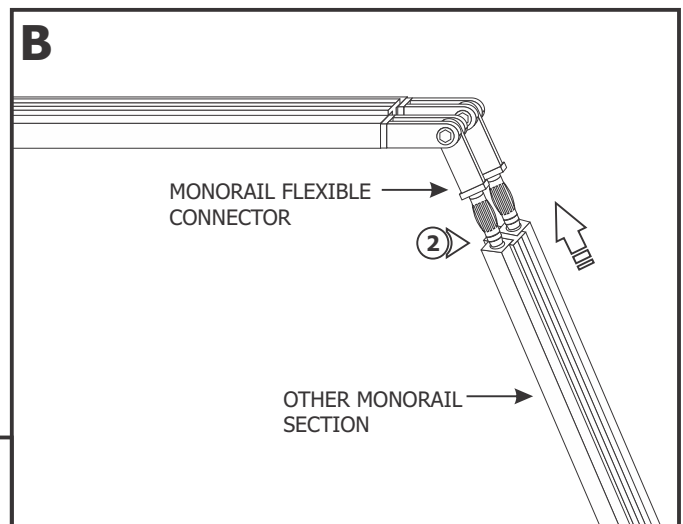
SAVE THESE INSTRUCTIONS!



Install the Monorail Flexible Connector



1: Push the Monorail flexible connector pin completely into one Monorail section hole. **Make sure this Monorail section is secured with the standoffs (Refer to the instructions provided with the standoffs).**



2: Push the other Monorail section completely onto the Monorail flexible connector pins and simultaneously connect this Monorail to the standoffs.