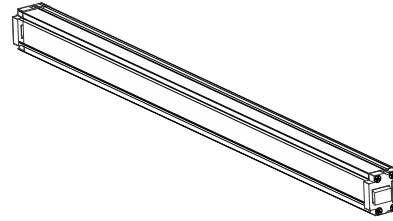


Installation Instructions for Surface Mount Light Channel, 24VDC

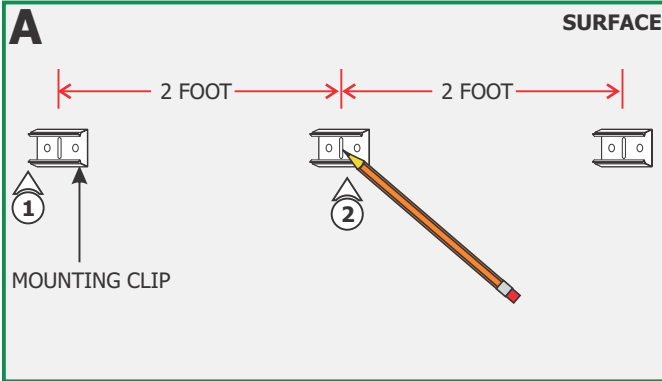
IMPORTANT INFORMATION

- This instruction shows a typical installation.
- Per NEC Article 410.16(A)(1)(3) & 410.16(C)(5). Approved for Closet Storage Areas.

SAVE THESE INSTRUCTIONS!



Install the Light Channel



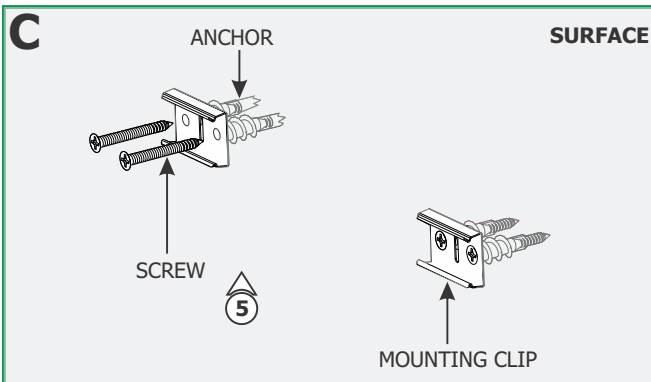
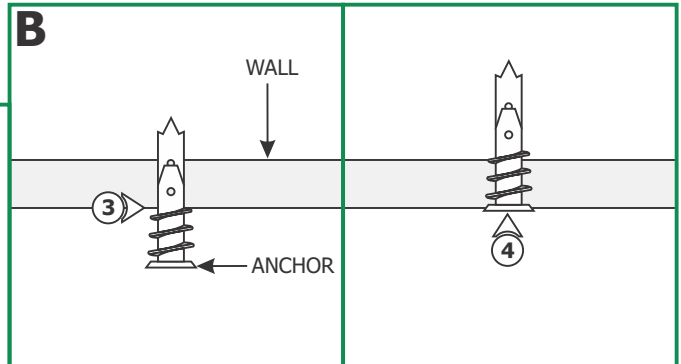
1: Determine the location for the Light Channel.

2: Place the clips on the surface every 2' (measure from the center slot of the mounting clip) and mark the screw locations.

NOTE: Steps 3 to 5 are for drywall mounting. Omit these steps if mounting the clips to a wood surface directly. **ANCHORS ARE NOT PROVIDED.**

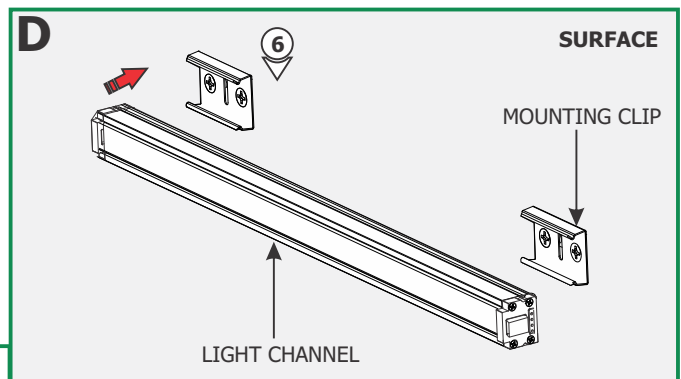
3: Tap the anchors onto the marked points up to the threaded portion with a hammer.

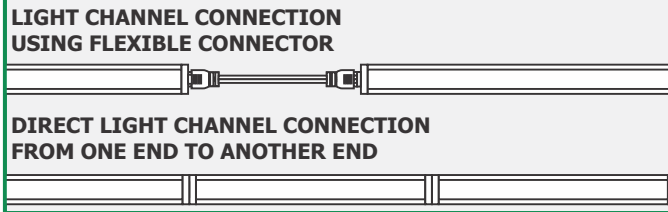
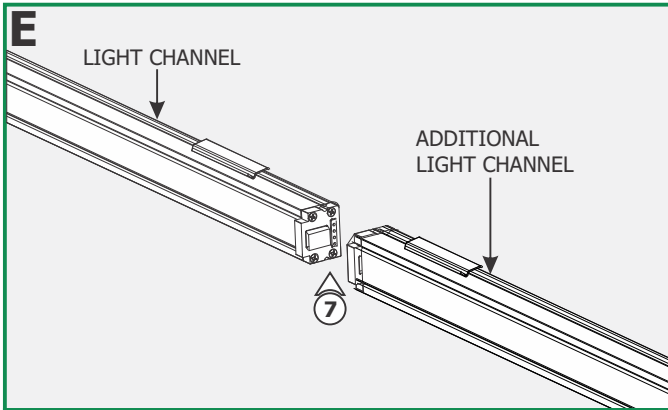
4: Screw in the threaded portion of the anchors with a Phillips screwdriver.



5: Line up the mounting clips to the anchors and secure it to the anchors by tightening the two #8-32 screws to each clip.

6: Snap each Light Channel into the spring clips.





NOTE: Multiple light channel can be connected together directly by connecting male end of one to the female end of the other one, or by using the flexible connectors up to a maximum of 25 feet.

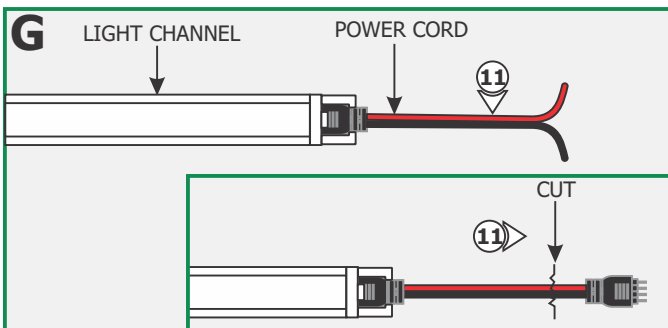
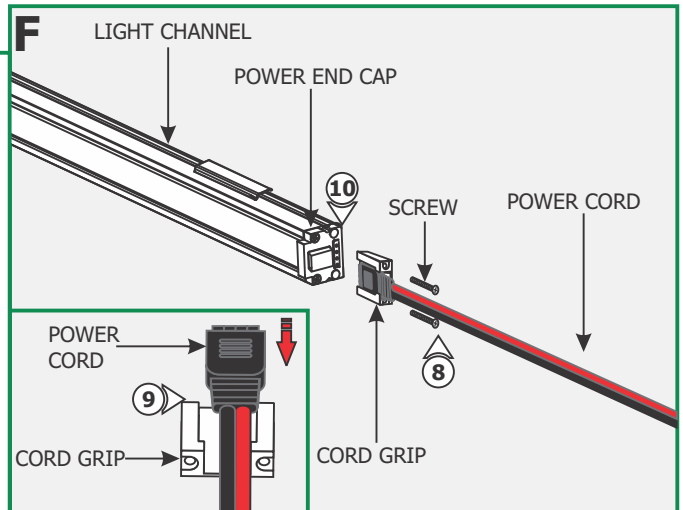
7: Carefully, connect light channel male end to light channel female end, or refer to the flexible connector instruction.

NOTE: The power feed cable can be mounted to either the female or male end of the channel.

8: Remove the two bottom screws (closest to the mounted surface) of the selected power end cap.

9: Place the male end of the power cord in the cord grip if connecting to the female end of the light channel or place the female end of the power cord in the cord grip if connecting to the male end of the light channel.

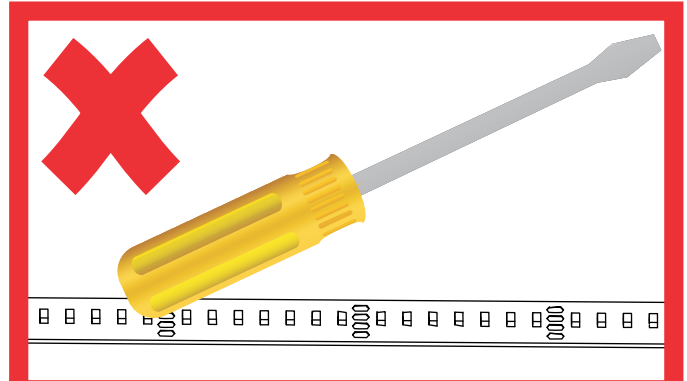
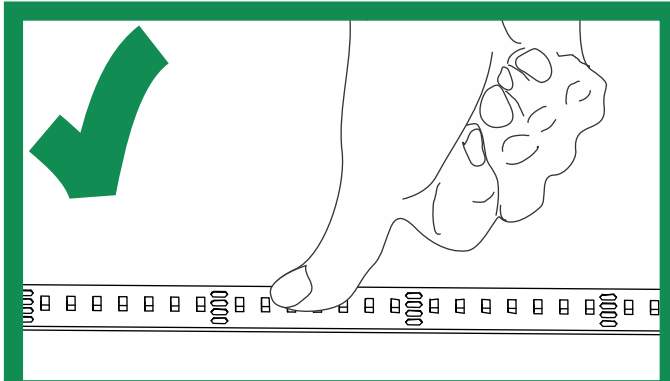
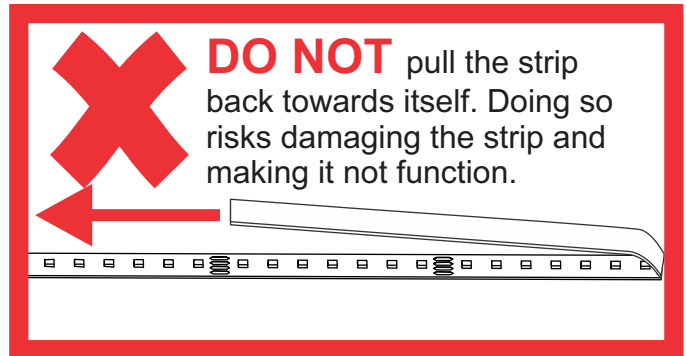
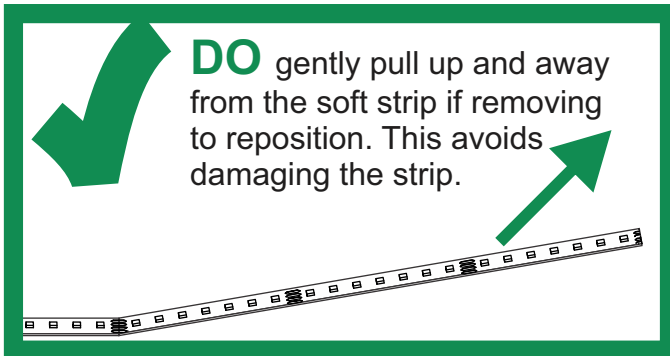
10: Push the cord completely into the light channel power end cap pins and secure the cord grip to the light channel by tightening the two screws (provided with cord grip) through the cord grip into the light channel power end cap.



11: Cut the other end of the power cord (male or female) and discard it. Strip the wire end for connecting it to the power supply.

12: Follow the instructions provided with the power supply to power up the light channel.

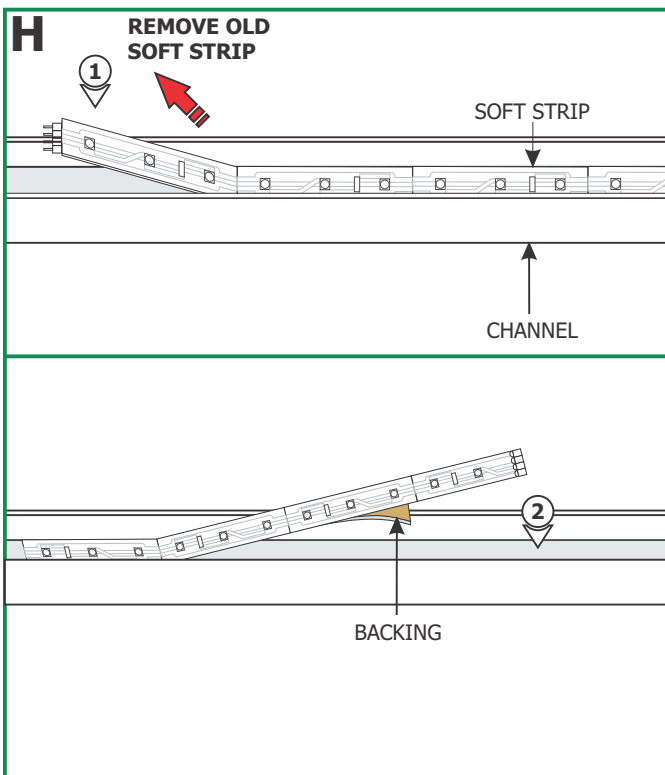
IMPORTANT INFORMATION REGARDING INSTALLATION AND REWORK OF SOFT STRIP LED



DO only ever use fingers to gently install soft strip to a surface **AFTER** cleaning the surface with alcohol.

DO NOT use any tool to install soft strip to a surface. This will damage the soft strip component.

Replacing/Repositioning the Soft Strip



- 1: Carefully pull existing old Soft Strip completely off the channel.
- 2: If there is Soft Strip residue on the channel apply in moderation WD-40, or Goo Gone, or a mixture of warm water and lemon oil to the corner of a clean, dry towel. Gently buff the area containing the adhesive residue with small circular motion until it is completely removed.

NOTE: Avoid bending the soft strip in sharp vertical angles which may damage the LEDs. Soft Strips do not bend horizontal. Use proper directional connectors for horizontal turns.

- 3: Carefully remove the backing from the new LED soft strip, make sure not to remove the tape from the soft strip. Firmly press down the adhesive portion of the soft strip onto the channel while removing the rest of the backing, making sure there are no air bubbles that can cause surface irregularities.

Wiring Diagram

