



1718 W. Fullerton Chicago, IL 60614
 Ph: 773.770.1195 • Fax: 773.935.5613
 www.PureEdgeLighting.com • info@PureEdgeLighting.com
 © 2016 PureEdge Lighting. All Rights Reserved.

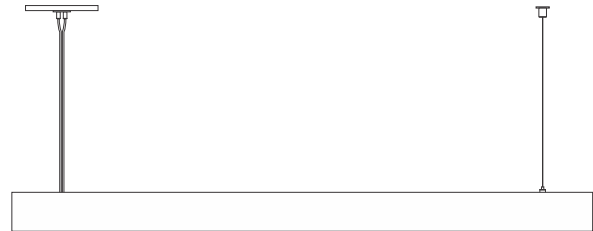
Installation Instructions for **Glide Up and Down with 4" Canopy, Remote Power**

GLUDR-4_ _

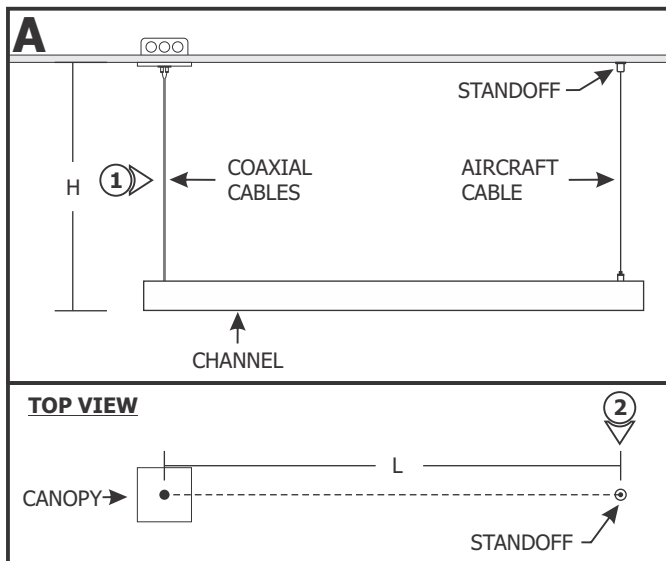
IMPORTANT INFORMATION

- This instruction shows a typical installation.
- This product is ceiling mount only.
- Care and Maintenance: Dust the wood panels (if applies) with a dry rag before cleaning it with a slightly damp rag or towel.
- It is recommended more than one person assist in this installation.

SAVE THESE INSTRUCTIONS!



Section One: Install the Standoff or Support Canopy



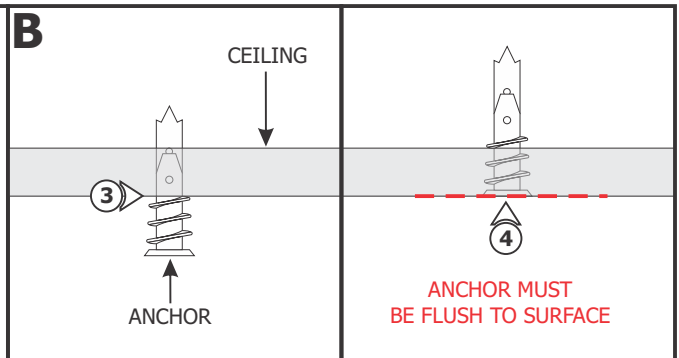
- 1: Determine the fixture height (H) from the bottom of the channel to the ceiling.
- 2: Determine the fixture length (L). Measure the distance between the coaxial cable and aircraft cable on the channel. Mark the standoff location on the ceiling from the center of the junction box.

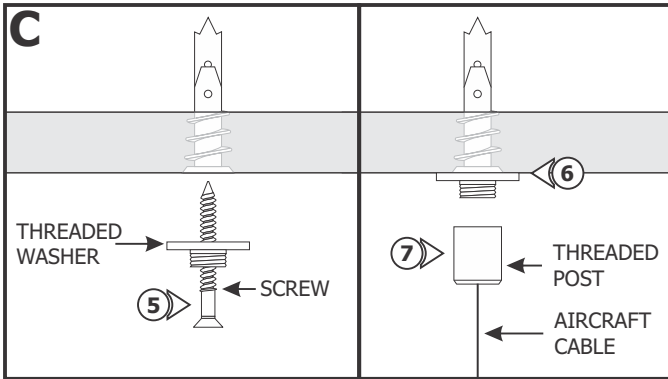
NOTE: Steps 3 through 7 are for Support Standoffs. Omit these steps if using the Support Canopy.

NOTE: Steps 3 and 4 are for drywall mounting. Omit these steps if mounting directly to a wood surface.

Support Standoff:

- 3: For each provided standoff, tap the anchor onto the marked location up to the threaded portion with a hammer.
- 4: Screw in the threaded portion of the anchors with a Phillips screwdriver.





Support Standoff:

5: Feed the #8 screw through the threaded washer.

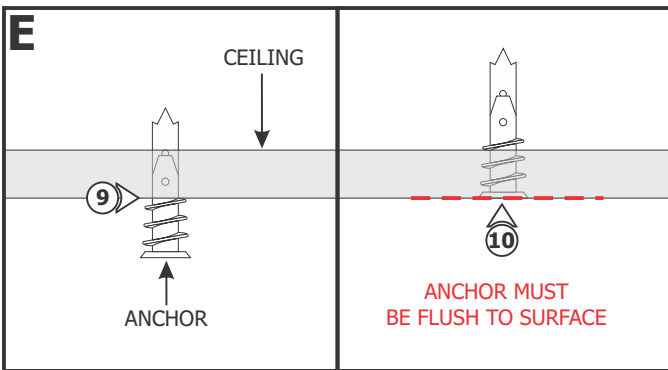
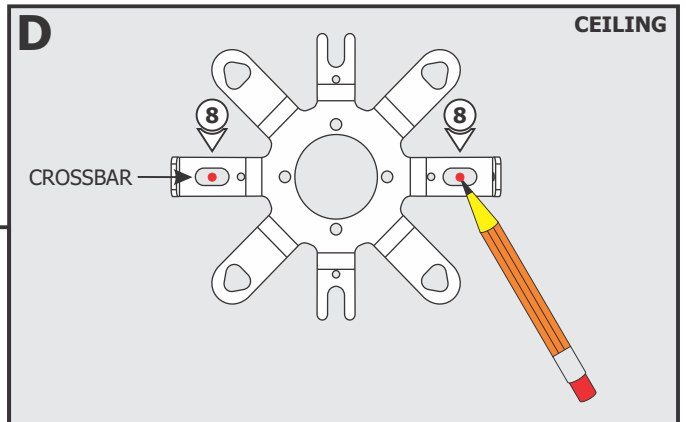
6: Tighten the #8 screw completely into the anchor.

7: Feed the aircraft cable through the threaded post. Tighten the threaded post completely onto the threaded washer.

NOTE: Steps 8 through 11 are for Support Canopies. Omit these steps if using the Support Standoffs.

Support Canopy:

8: Mark the points through the crossbar holes onto the ceiling. These points are used for the anchors.

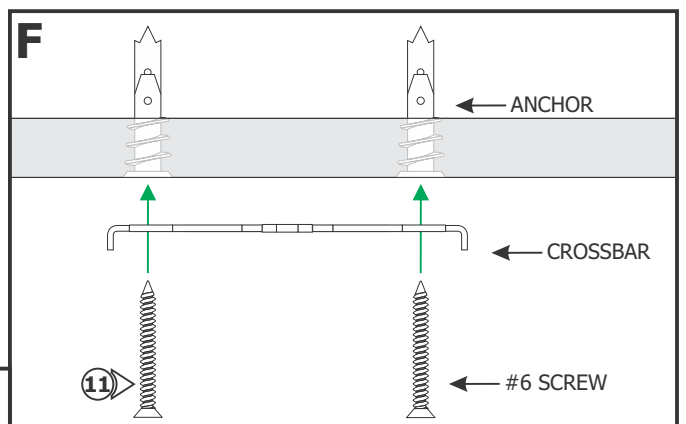


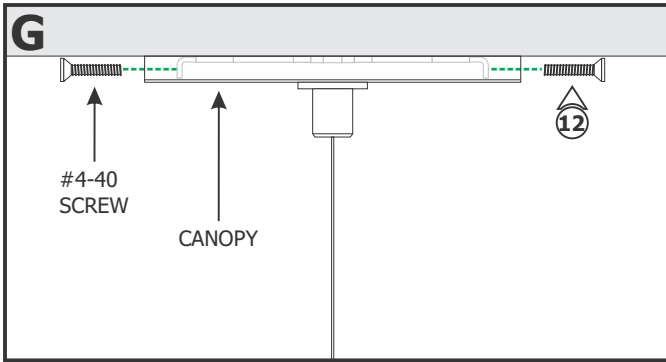
NOTE: Steps 9 and 10 are for drywall mounting. Omit these steps if mounting directly to a wood surface.

9: Tap the anchors onto the marked points up to the threaded portion with a hammer.

10: Screw in the threaded portion of the anchors with a Phillips screwdriver.

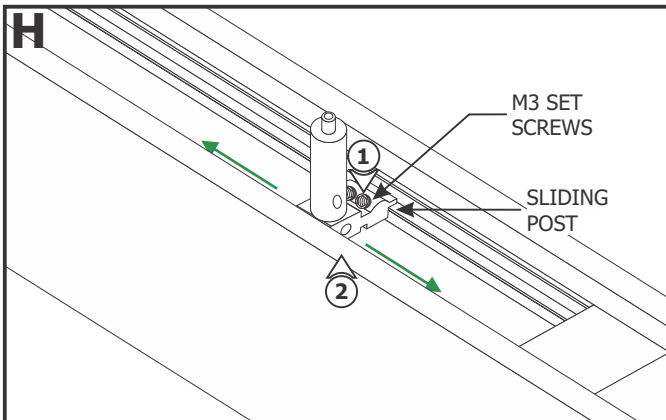
11: Secure the crossbar to the anchors using the two #6 screws.





12: Align the canopy with the crossbar and secure it using the two #4-40 screws using a 1/16" Allen wrench.

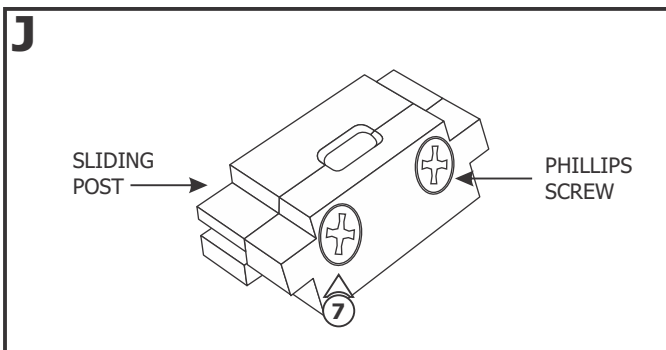
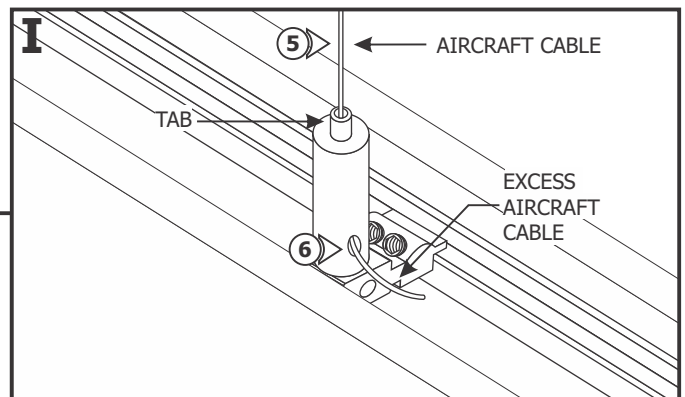
Section Two: Adjust Cable Position



Support Aircraft Cables:

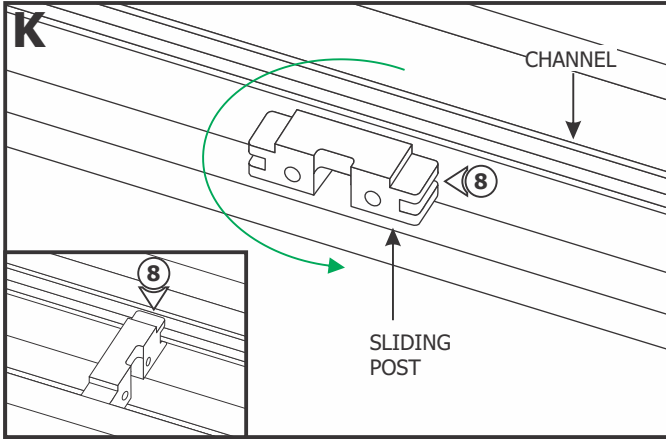
- 1:** If the fixture is provided with additional supports in the middle of the channel then loosen (**Do Not Remove**) the two M3 set screws on the sliding post with a 1.5mm Allen wrench.
- 2:** Adjust the position by moving the sliding post across the channel.
- 3:** Tighten the two M3 set screws.
- 4:** Repeat steps 1 through 3 for the remaining supports.

- 5:** For each sliding post, insert the aircraft cable through the top of the tab on the sliding post.
- 6:** Adjust the height of the fixture by pushing the tab and pulling the aircraft cable out of the side of the sliding post. Release the tab to secure the cable in place.



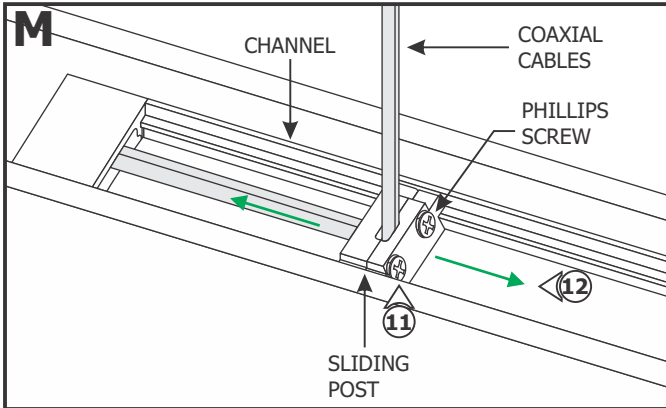
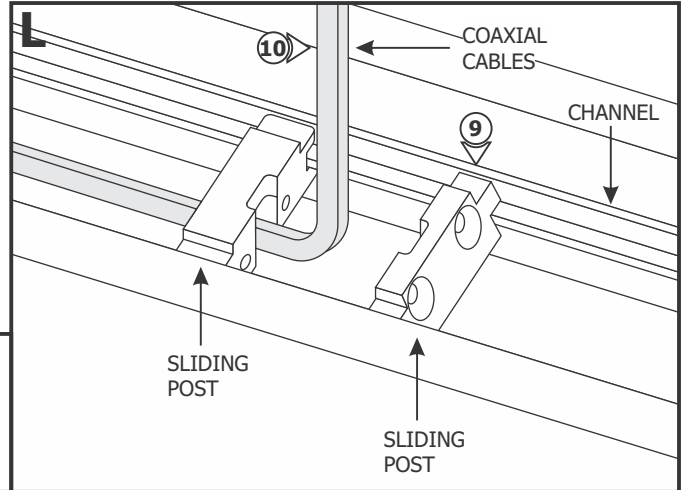
Power Cables:

- 7:** Remove the two Phillips screws from the sliding post.



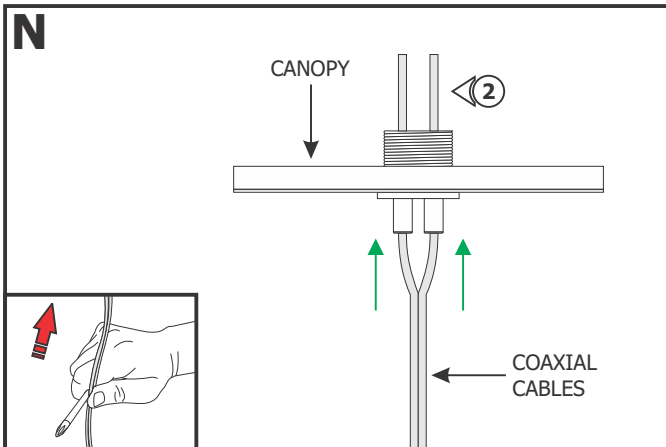
8: Place the back part of the sliding post inside the back of the channel and rotate it into place.

9: Place the other part of the sliding post onto the back of the channel.
10: Ensure that the coaxial cables are in between the two parts of the sliding post.



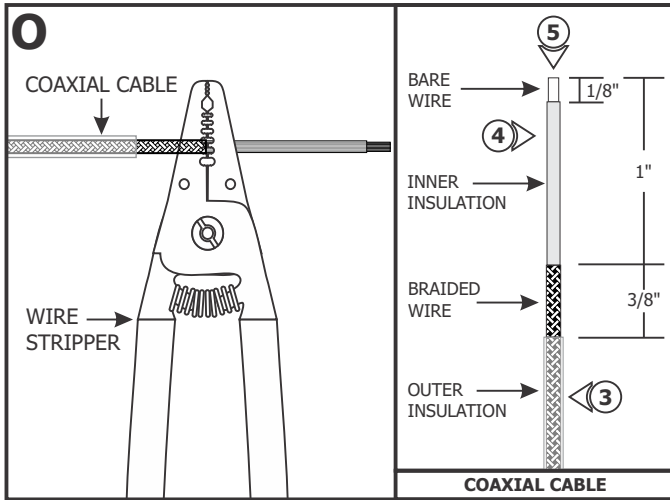
11: Insert the two Phillips screws halfway into the sliding post to loosely join the two parts.
12: Adjust the position of the sliding post by moving it across the channel.
13: Tighten the two Phillips screws on the sliding post to secure it to the channel.

Section Three: Power the Fixture



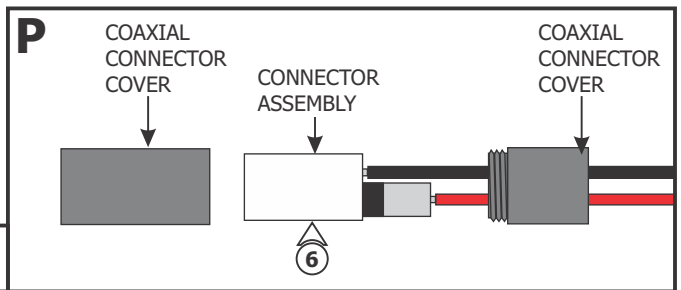
NOTE: If cables are curled or kinked, straighten by holding between the shaft of a screwdriver and thumb and pulling the cables through (see inset).

1: Split the end of the cables.
2: Push each coaxial cable through each tab on the cord grip of the canopy.

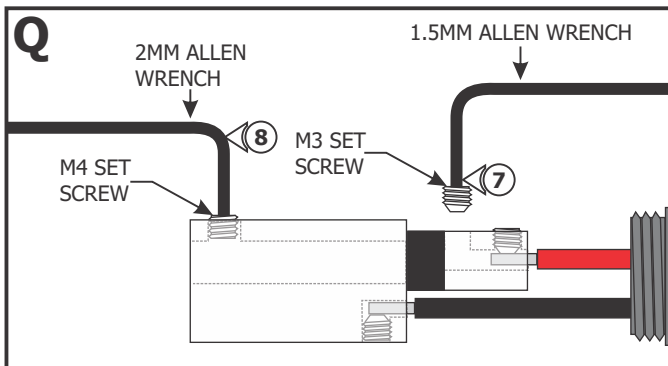


NOTE: Scan the QR Code to watch the video clip of the following steps or visit www.PureEdgeLighting.com/video_feed/installation_cxc_connector

- 3:** Use the 18AWG hole of the wire stripper to remove 1-3/8" of the outer insulation to expose the braided wire.
- 4:** Use the 18AWG hole of the wire stripper to remove 1" of the braided wire making sure not to nick the inner wire insulation.
- 5:** Use the 20AWG hole of the wire stripper to remove 1/8" of the inner insulated wire.

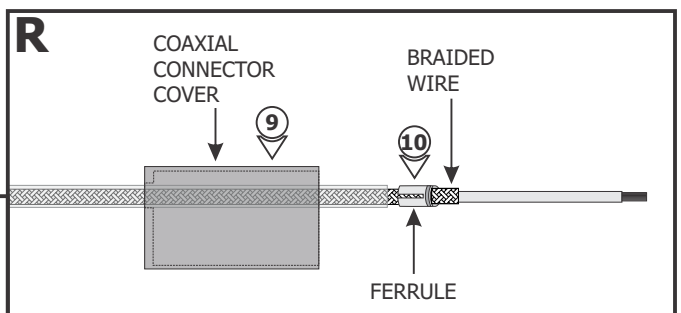


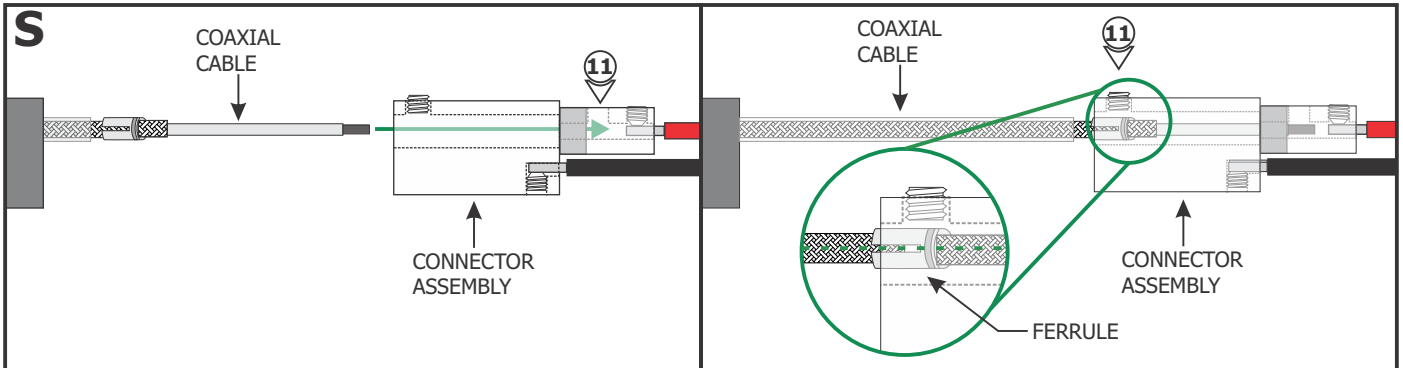
- 6:** Unscrew the coaxial connector covers and remove from the connector assembly.



- 7:** Using the provided 1.5mm Allen wrench, remove the M3 set screw from the coaxial connector assembly.
- 8:** Using the provided 2mm Allen wrench to loosen (do not remove) the M4 set screw.

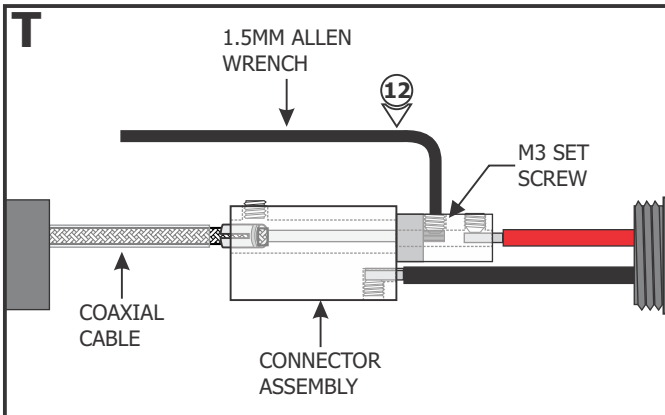
- 9:** Slide the connector cover over the coaxial cable.
- 10:** Place the ferrule over the 3/8" braided wire of the coaxial cable.



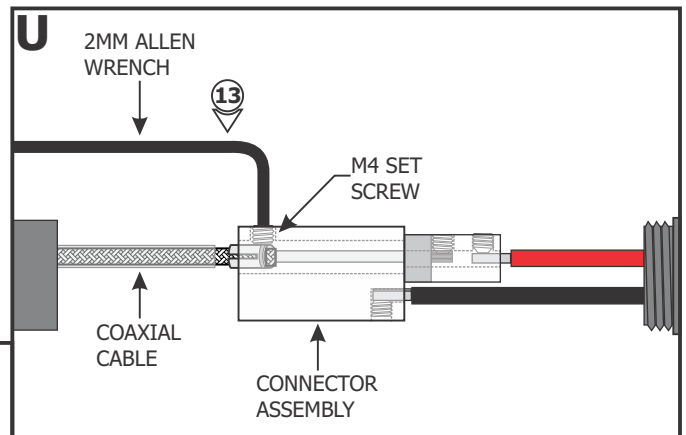


11: Insert the coaxial cable into the coaxial connector until the wires of the center conductor are visible through the M3 set screw hole.

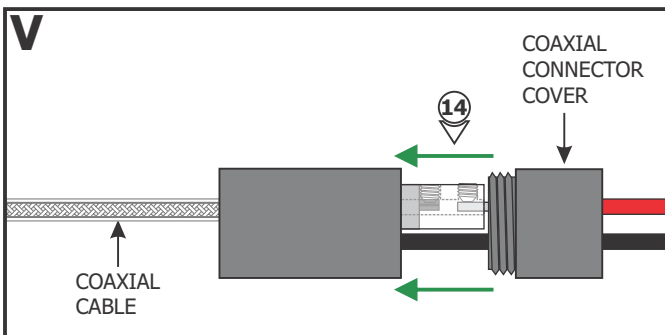
NOTE: Ensure that the split in the ferrule is aligned 90° from the M4 set screw (see inset).



12: Use the provided 1.5mm Allen wrench to replace and securely tighten the M3 set screw.

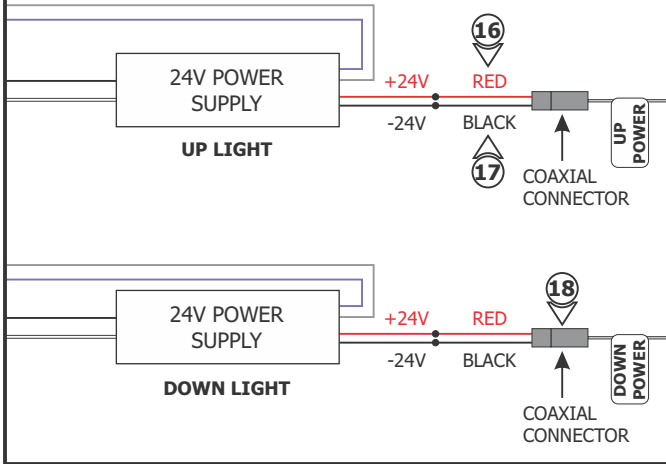


13: Use the provided 2mm Allen wrench to securely tighten the M4 set screw until it squeezes the wire ferrule tightly to the coaxial cable.



14: Replace the coaxial connector cover and tighten into place.

15: Repeat steps 3 through 14 for the other coaxial cable and connector.

W

16: Connect the red wire of one coaxial connector to the +24VDC power supply wire using a wire nut.

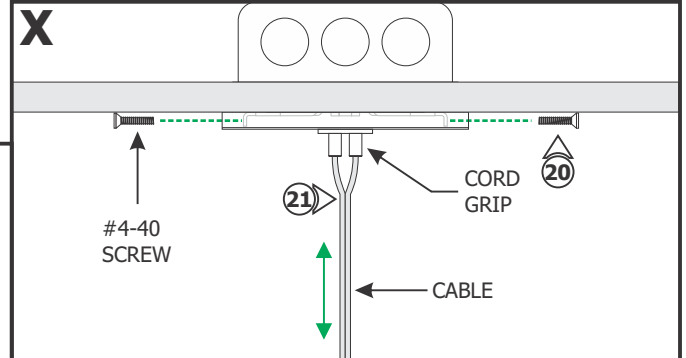
17: Connect the black wire of the same coaxial connector to the -24VDC wire of the same power supply using a wire nut.

18: Repeat steps 16 and 17 to connect the second coaxial connector to the second power supply.

19: Place all connections inside the junction box.

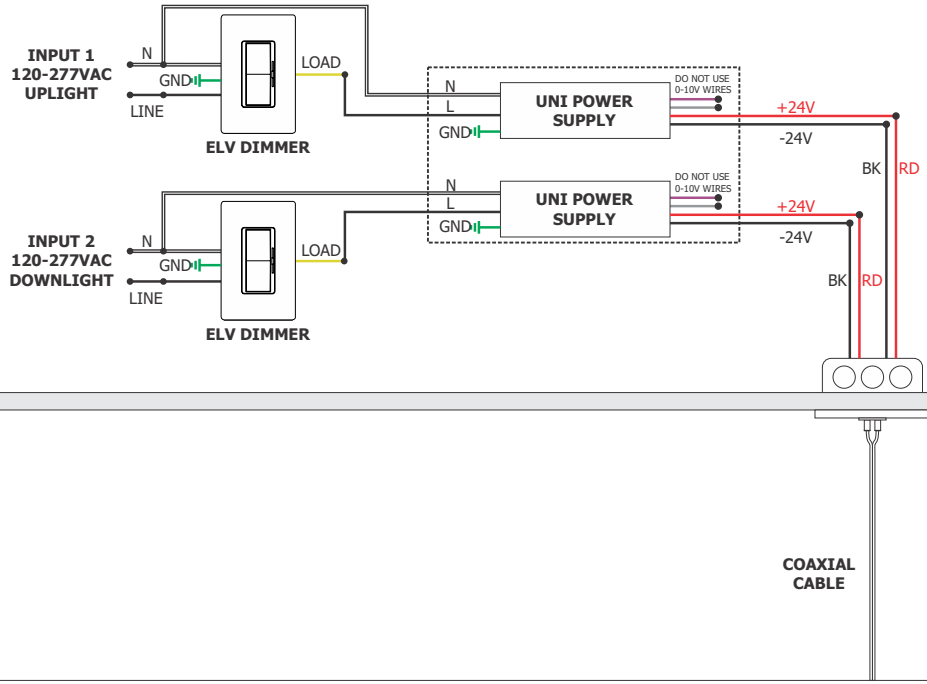
20: Align the canopy with the crossbar and secure it using the two #4-40 screws using a 1/16" Allen wrench.

21: Adjust the fixture height by pushing the tabs on the cord grip to slide the fixture up and down until the desired height is achieved. Release the tabs to lock the coaxial cables in place.

X

General Wiring Diagrams

ELV Wiring Diagram



0-10V Wiring Diagram

