



1718 W. Fullerton Chicago, IL 60614
 Ph: 773.770.1195 • Fax: 773.935.5613
 www.PureEdgeLighting.com • info@PureEdgeLighting.com
 © 2016 PureEdge Lighting. All Rights Reserved.

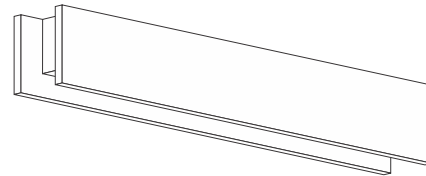
Installation Instructions for **Glide Ceiling Downlight for T-Bar**

GLCD _ _ -TB- _ _

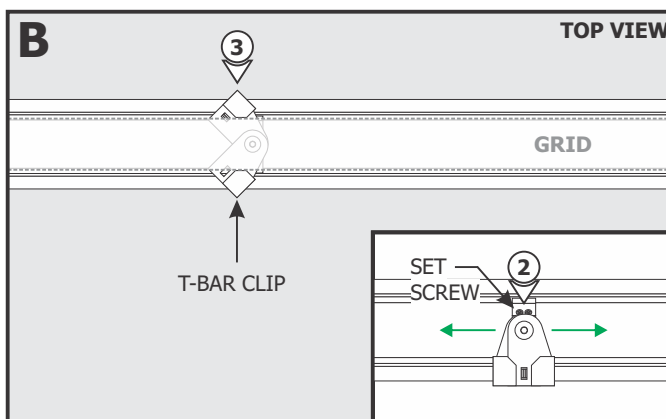
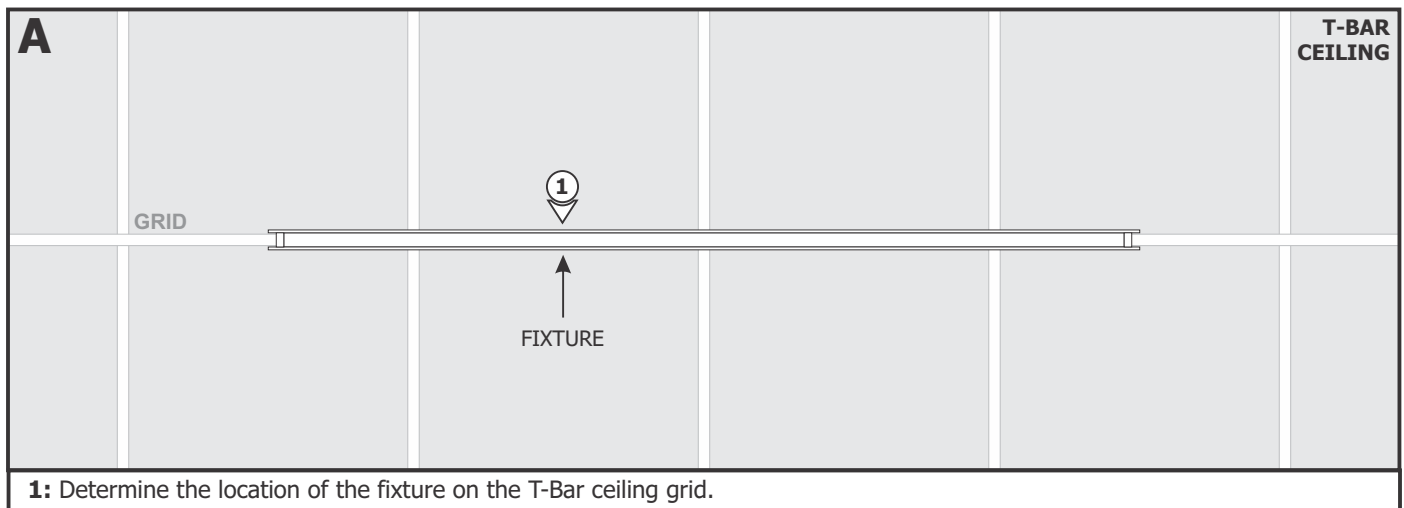
IMPORTANT INFORMATION

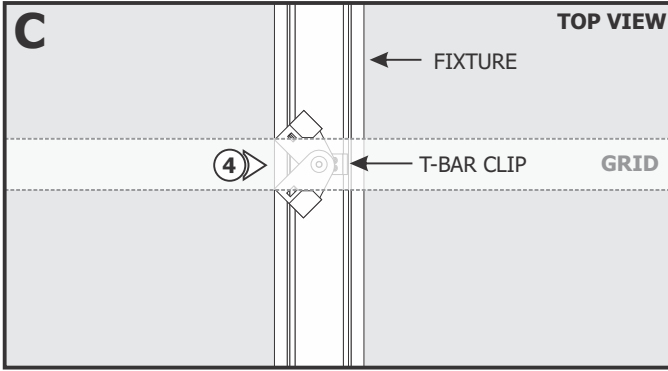
- This product mounts on T-Bar grid ceilings.
- Care and maintenance: To clean wood panels (if applies) dust them using a dry rag or use a very dry damp cloth with furniture cleaner.
- It is recommended more than one person to assist in this installation.

SAVE THESE INSTRUCTIONS!



Section One: Install the Fixture

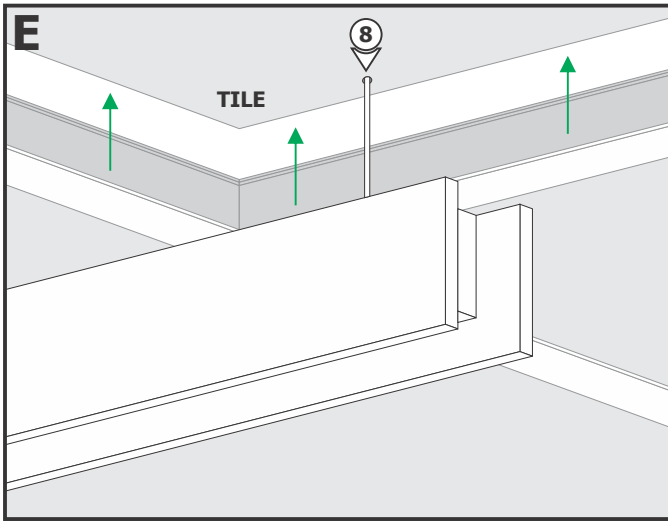
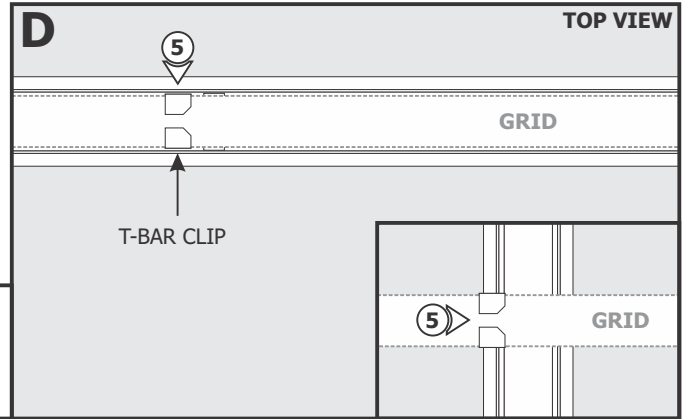




4: If aligning the fixture perpendicular to the grid, rotate the arms into position.

5: Place the T-Bar clip onto the grid and squeeze the arms together to secure in place.

6: Repeat steps 2 though 5 for the other T-Bar clips.



7: Mark the location of the power cord on the ceiling tile. Remove the ceiling tile.

8: Drill a hole through the ceiling tile directly above the fixture and feed the power cord through the hole.

NOTE: If extending the cable use Class 3 plenum cable.

9: Route the power cord to the remote power supply. Refer to the instructions provided with the power supply.

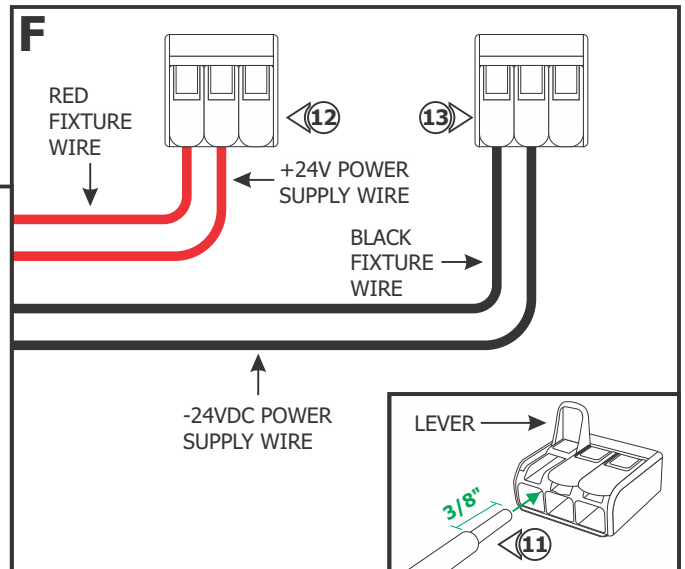
10: Replace the ceiling tile.

11: Strip 3/8" off of the fixture power wires and the 24VDC power supply wires.

12: Pull up the levers of one lever nut and insert the +24VDC power supply wire and the red fixture wire. Push the lever down to connect and lock in place.

13: Pull up the levers of the second lever nut and insert the -24VDC power supply wire and the black fixture wire. Push the lever down to connect and lock in place.

14: Lightly tug on the wires to ensure they are secured in place.



General Wiring Diagram

