



1718 W. Fullerton Chicago, IL 60614
 Ph: 773.770.1195 • Fax: 773.935.5613
 www.PureEdgeLighting.com • info@PureEdgeLighting.com
 © 2016 PureEdge Lighting. All Rights Reserved.

Installation Instructions for **Glide Ceiling Downlight**

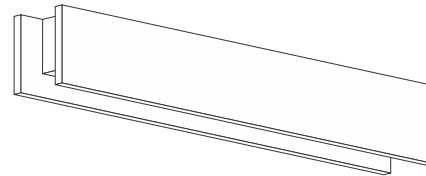
GLCD _ _ -1RE_ _

GLCD _ _ -4SQ_ _

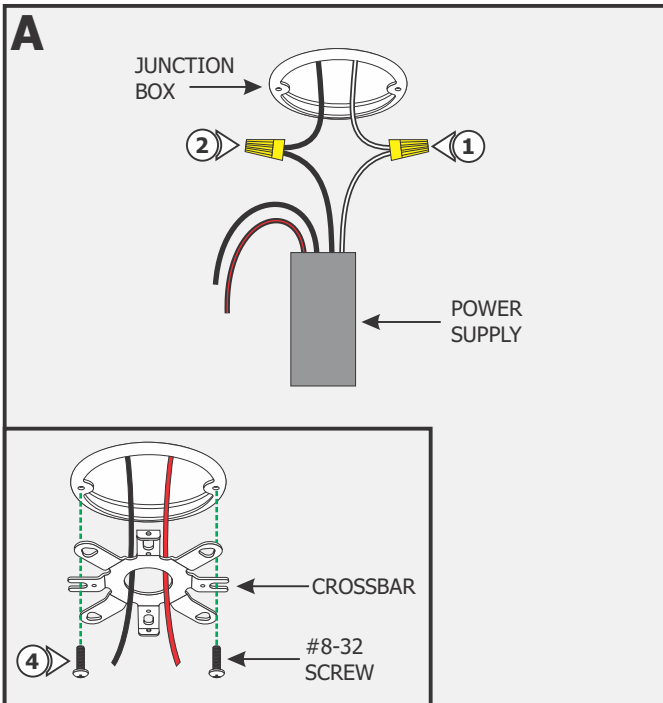
IMPORTANT INFORMATION

- This product is ceiling mount only.
- Care and maintenance: Dust the wood panels (if applies) with a dry rag before cleaning it with a slightly damp rag or towel.
- It is recommended more than one person to assist in this installation.

SAVE THESE INSTRUCTIONS!



Section One: 4" Square Canopy



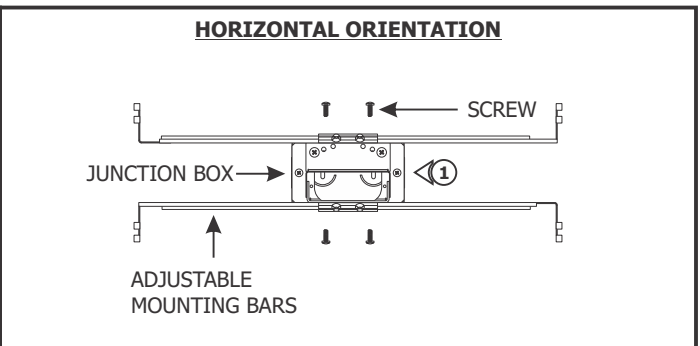
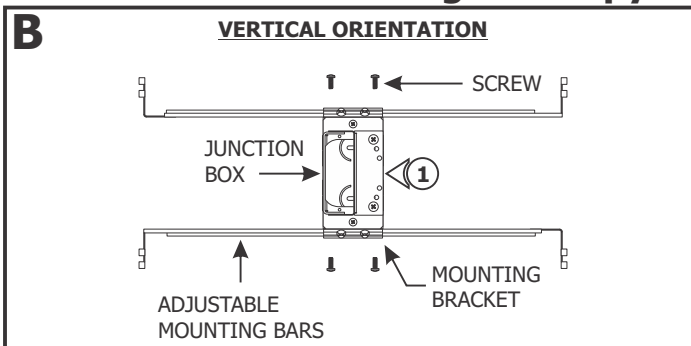
NOTE: Omit this section if using 1" Rectangle Canopy. See Section Two.

NOTE: Omit steps 1 through 3 if using remote power supply.

NOTE: Remote power supply must be installed within 40ft of junction box. Ensure remote power supply wires are present in the junction box. Refer to instructions provided with the power supply.

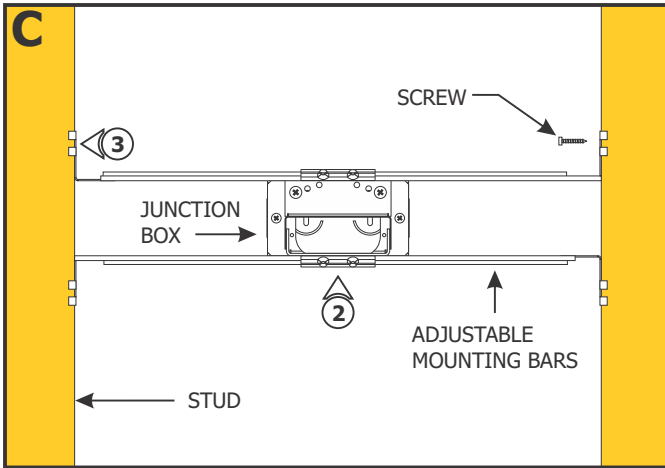
- 1: Connect the white wire of the power supply to the 120VAC neutral wire with a wire nut.
- 2: Connect the black wire of the power supply to the 120VAC line wire with a wire nut.
- 3: Place the power supply and all wire nut connections inside the junction box.
- 4: Feed the low voltage wires from the power supply through the crossbar center hole and mount the crossbar to the junction box holes using two #8-32 screws.
- 5: Complete installation by following steps in Section Three.

Section Two: 1" Rectangle Canopy



NOTE: Omit this section if using 4" Square Canopy.

- 1: Mount each adjustable mounting bar to one side of the junction box (mounts to any side of the housing depending on the orientation of the channel) and secure them with the mounting brackets and Phillips screws provided.



NOTE: The adjustable mounting bars mount to studs that are spaced 15"-25" apart. If the span needs to be shorter than 15", then break the arms at dedicated lines.

NOTE: Ensure the opening of the junction box is aligned with the center of the desired fixture location. If necessary, adjust the junction box location by loosening the screws and sliding the junction box to the proper location. Tighten the Phillips screws after adjusting.

2: Select the location between two studs to mount the junction box.

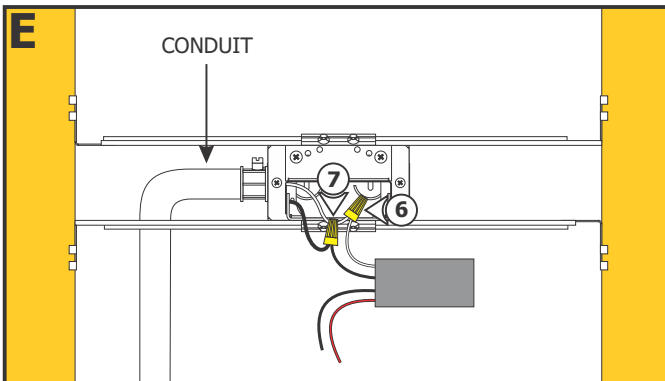
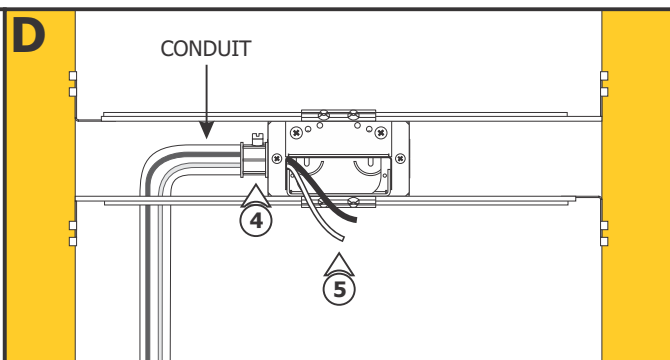
3: Place the lips of the adjustable mounting bars against the studs. Secure the adjustable bars to the studs with the #8 screws.

4: Remove a knockout to install a conduit into the junction box.

5: Install conduit(s) (if required by local electrical code) and run 120V power wires to the junction box.

NOTE: If using remote power supply, then run the low voltage wires coming from the power supply into the junction box.

NOTE: Remote power supply must be installed within 40ft of junction box. Ensure remote power supply wires are present in the junction box. Refer to instructions provided with the power supply.



NOTE: For fixtures with power, make sure the junction box is grounded in accordance to local electrical codes.

NOTE: Omit steps 6 through 8 if using a remote power supply.

6: Connect the white wire of the power supply to the 120VAC neutral wire with a wire nut.

7: Connect the black wire of the power supply to the 120VAC line wire with a wire nut.

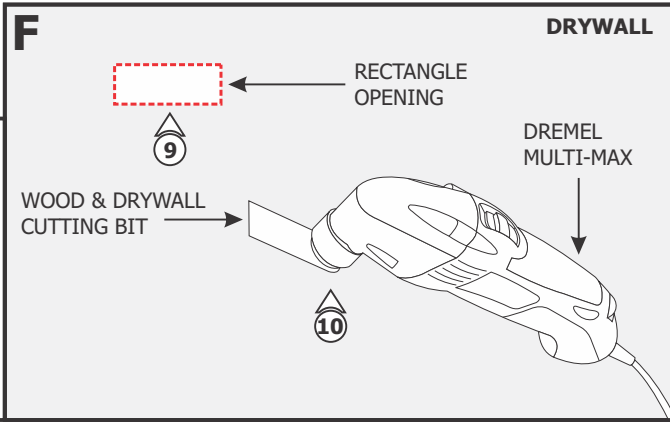
8: Place the power supply and all wire nut connections inside the junction box.

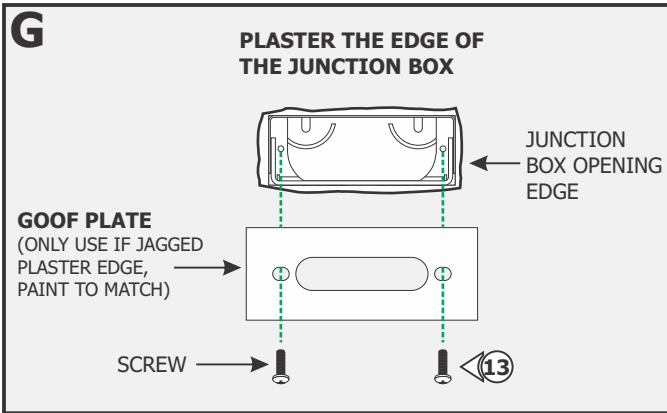
9: Mark a rectangle shape on the drywall where the junction box opening will be located depending on the selected position.

10: Cut out the marked rectangle opening, using a "Dremel Multi-Max" with the "wood & drywall" cutting bit.

11: Install & finish drywall.

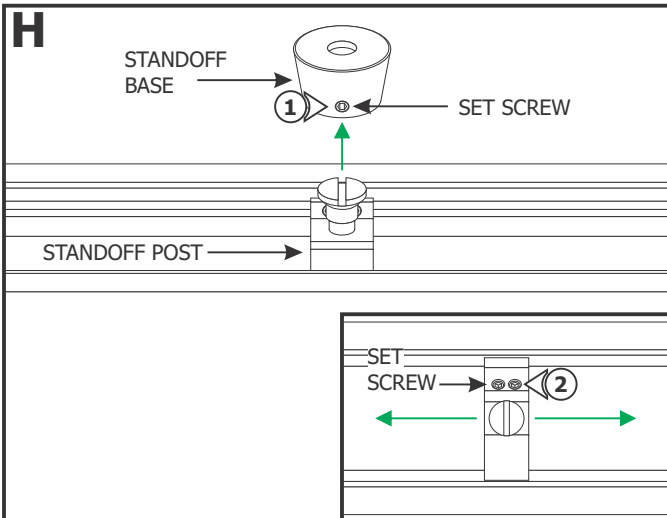
12: Complete installation by following steps in Section Three.



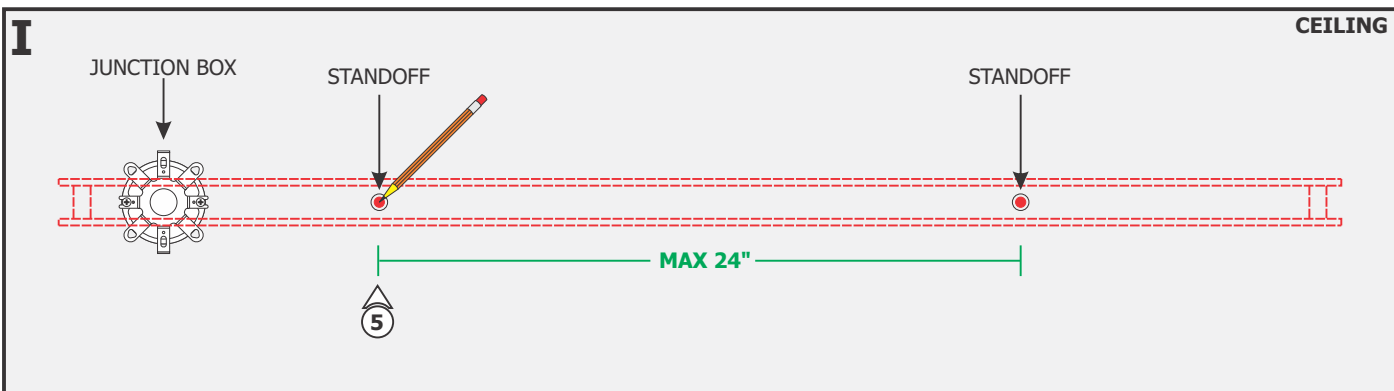


13: Optional: Use the Goof Plate if the junction box opening has imperfection/ jagged edges. Install the provided goof plate (paint to match prior) with the two screws.

Section Three: Install the Standoffs



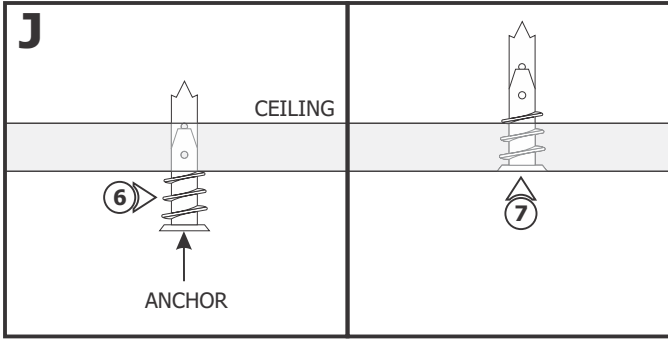
- 1:** Loosen (**Do Not Remove**) the #4-40 set screw on the standoff base using a 0.05" Allen wrench to remove it from the standoff post.
- 2:** If necessary, adjust the standoff post position by loosening the two M3 set screws using a 1.5mm Allen wrench and sliding it across the channel. Tighten the two set screws to secure in place. Standoffs must be installed maximum 24" from each other.
- 3:** Repeat steps 1 and 2 for the remaining standoffs.



NOTE: 4" Square Canopy shown for demonstration purposes.

NOTE: The channel must pass through the center of the junction box.

- 4:** Begin installation using the side of the channel with power wires. Lay the channel to the desired location & make all necessary markings on the ceiling which will consist of the channel ends and standoffs.
- 5:** Measure and mark the locations of the standoffs on the ceiling from the center of the junction box. Ensure markings are leveled and centered with the junction box.

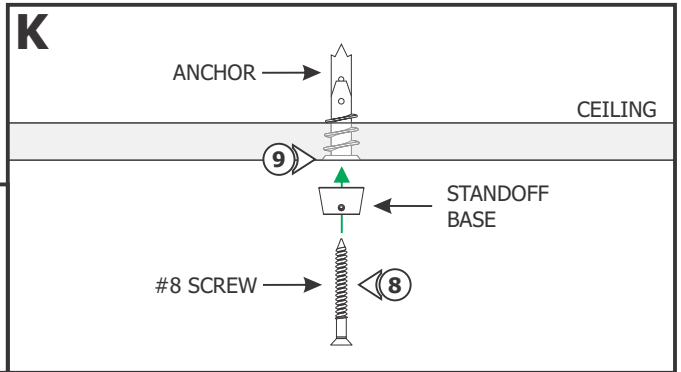


NOTE: Omit steps 6 and 7 if mounting onto a wood surface directly.

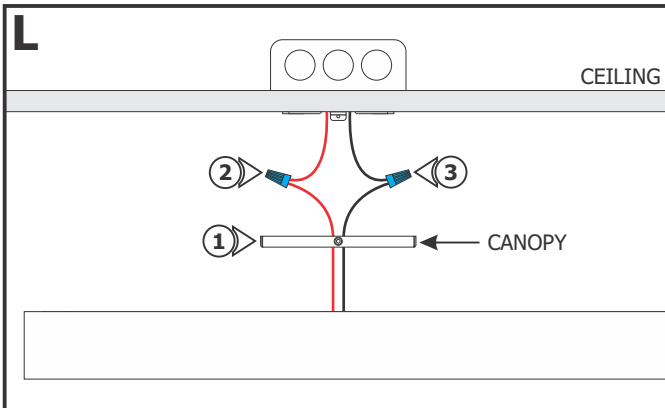
6: Tap the anchor onto the marked point up to the threaded portion with a hammer.

7: Screw in the threaded portion of the anchor with a Phillips screwdriver.

- 8:** Feed the #8 screw through the standoff base into the anchor.
- 9:** Tighten the #8 screw completely into the anchor.
- 10:** Repeat steps 6 through 9 for each standoff.



Section Four: Power the Fixture



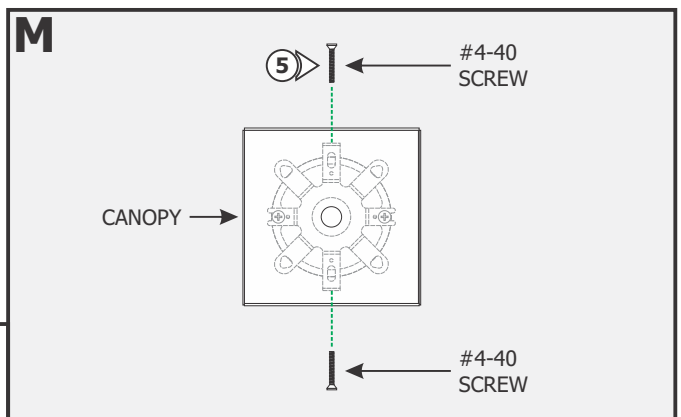
1: For 4" Square Canopy installations, feed the wires from the fixture through the canopy.

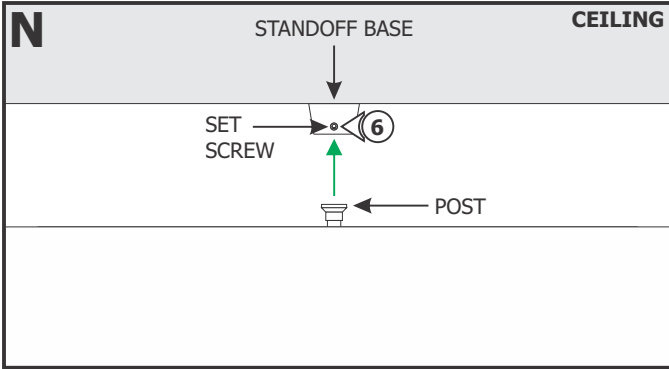
2: Connect the low voltage +24VDC power supply wire to the red wire of the fixture using a wire nut.

3: Connect the low voltage -24VDC power supply wire to the black wire of the fixture using a wire nut.

4: Place all wire nut connections inside the junction box.

5: For 4" Square Canopy installations, align the canopy holes with the crossbar holes. Secure the canopy in place with the two #4-40 screws and 1/16" Allen wrench provided.





6: Place the fixture over the canopy. Align the post on the channel with the standoff base and secure with the #4-40 set screw using a 0.05" Allen wrench.

General Wiring Diagram

