



1718 W. Fullerton Chicago, IL 60614
 Ph: 773.770.1195 • Fax: 773.935.5613
 www.PureEdgeLighting.com • info@PureEdgeLighting.com
 © 2016 PureEdge Lighting. All Rights Reserved.

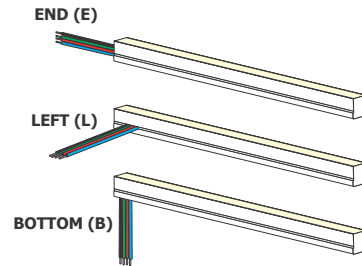
Installation Instructions for Flex Neon LRF7 24VDC Indoor Seamless, Tunable White

FN-LRF7-_____

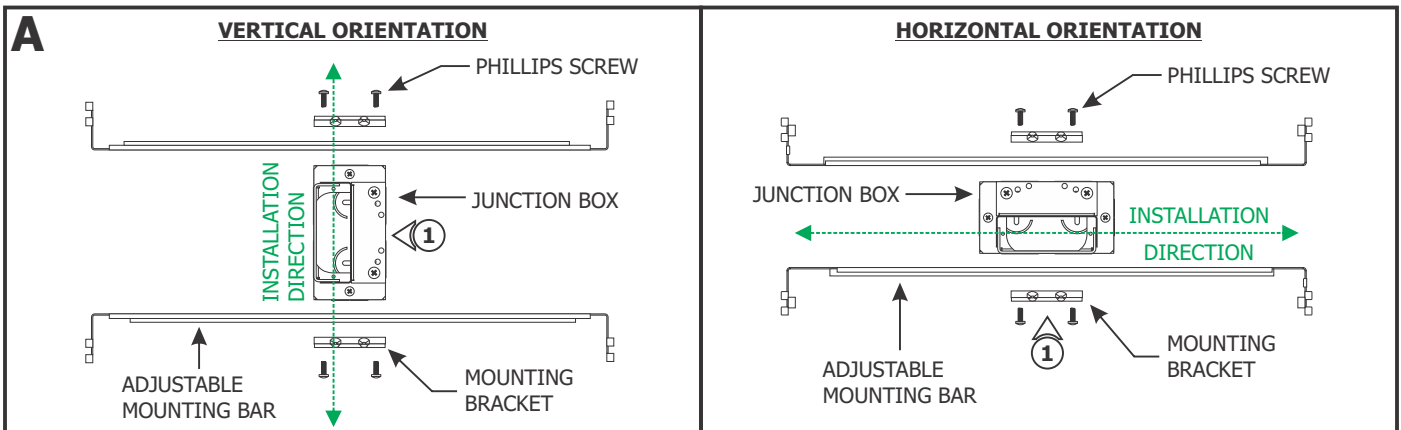
IMPORTANT INFORMATION

- This instruction shows a typical installation.
- The Seamless Flex Neon is rated for Indoor Damp Locations **ONLY** and uses class 2 bare wire connectors.
- This product bends right to left or left to right.

SAVE THESE INSTRUCTIONS!

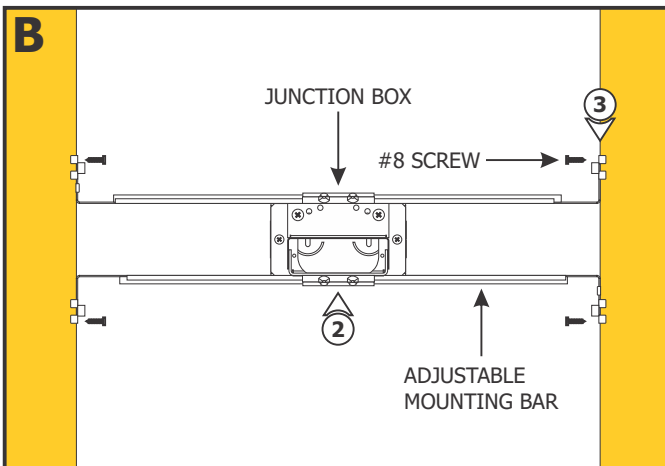


Section One: Install the 1" Rectangle Junction Box (Optional)



NOTE: Before beginning any electrical work, ensure that the power to the junction box is off.

1: Mount each adjustable mounting bar to one side of the junction box (mounts to any side of the housing depending on the orientation of the fixture) and secure them with the mounting brackets and two Phillips screws provided.

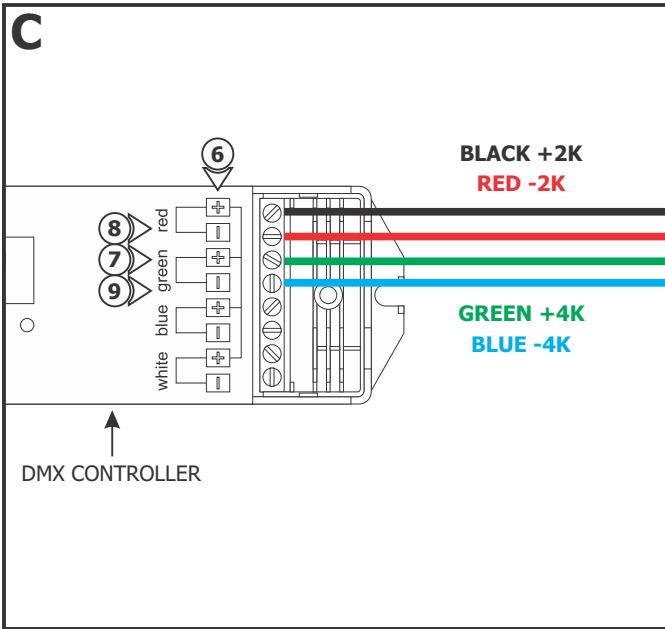


NOTE: The adjustable mounting bars mount to joists that are spaced 15"-24" apart. If the span needs to be shorter than 15", then break the bar arms from dedicated lines.

NOTE: Ensure the opening of the junction box is aligned with the center of the desired fixture location. If necessary, adjust the junction box location by loosening the screws and sliding the junction box to the proper location. Tighten the Phillips screws after adjusting.

2: Select the location between two joists to mount the junction box.

3: Place the lips of the adjustable mounting bar tabs against the joists. Secure the adjustable bars to the joists with the #8 screws.



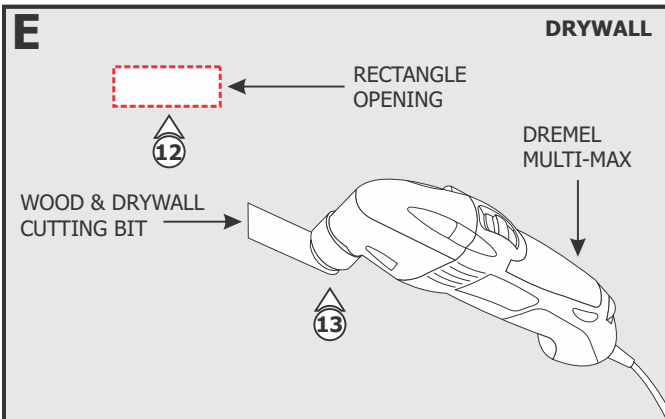
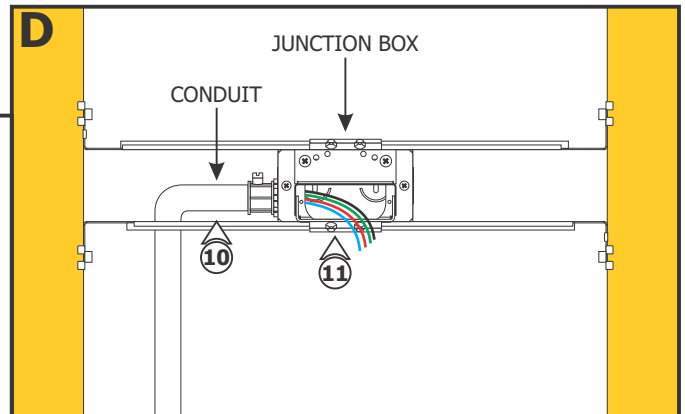
NOTE: Omit steps 4 through 9 if using two dimmers/power supplies. Refer to wiring diagrams on page 8.

- 4: Use the "Low Voltage Wire Size Chart" on page 7 to determine proper wire size connecting to the DMX controller terminals.
- 5: Run the proper size black, green, red and blue wires from the fixture to the power supply enclosure.
- 6: Connect the black fixture wire to the red "+" DMX terminal and tighten the screw.
- 7: Connect the green fixture wire to the green "+" DMX terminal and tighten the screw.
- 8: Connect the red fixture wire to the red "-" DMX terminal and tighten the screw.
- 9: Connect the blue fixture wire to the green "-" DMX terminal and tighten the screw.

10: Remove a knockout to install a conduit into the junction box. Install conduit(s) (if required by local electrical code).

11: Run the wire coming from the DMX controller or the alternative two remote power supplies to the junction box. Refer to the instructions provided with the power supplies.

NOTE: Ensure remote power supply wires are present in the junction box. Refer to instructions provided with the power supply.

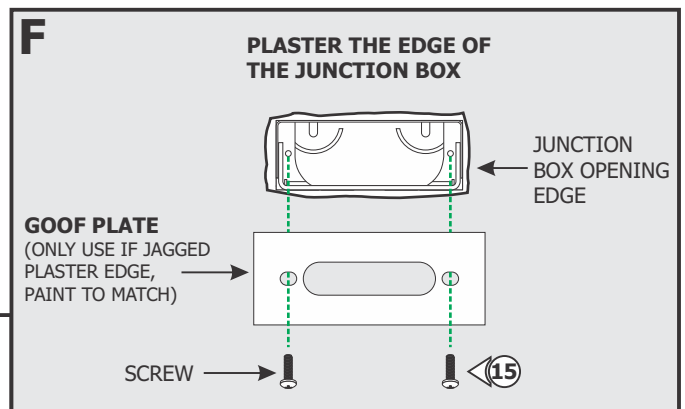


12: Mark a rectangle shape on the drywall where the junction box opening will be located depending on selected position.

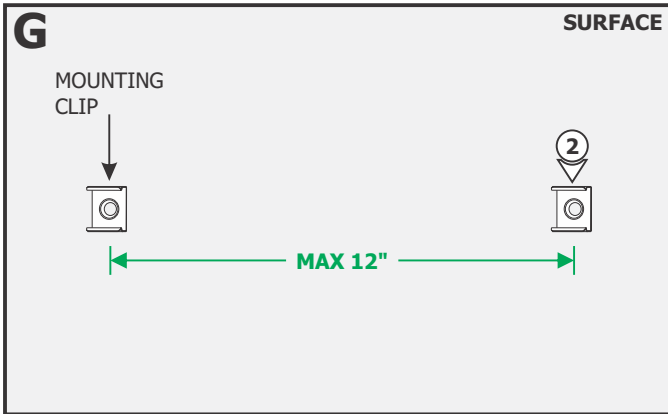
13: Cut out the marked rectangle opening, using a "Dremel Multi-Max" with the "wood & drywall" cutting bit.

14: Install & finish drywall.

15: Optional: Use the Goof Plate if the junction box opening has imperfection/ jagged edges. Install the provided goof plate (paint to match prior) with the two screws.



Section Two: Install the Flex Neon



NOTE: If using 1RE Junction Box, the Flex Neon must pass through the center of the junction box.

NOTE: Omit this Section if using Interior Channel. Refer to Section Three.

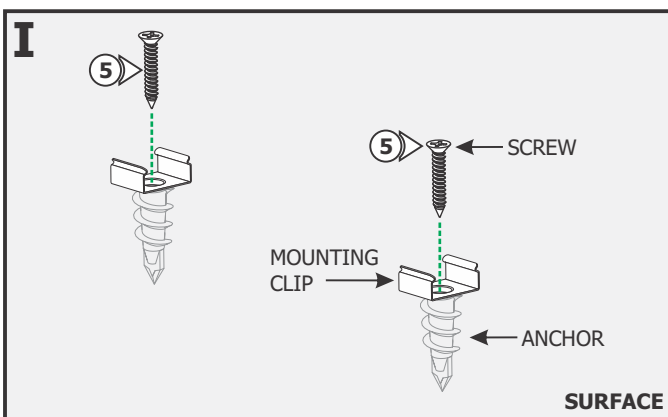
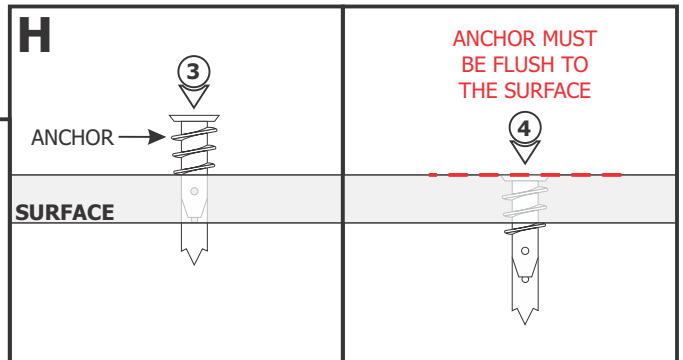
1: Determine the location for the Flex Neon.

2: Mark the location of the mounting clips. Mounting clips must be maximum 12" apart from each other (measure from the center of the mounting clip).

NOTE: Steps 3 and 4 are for drywall mounting. Omit these steps if mounting the clips to a wood surface directly.

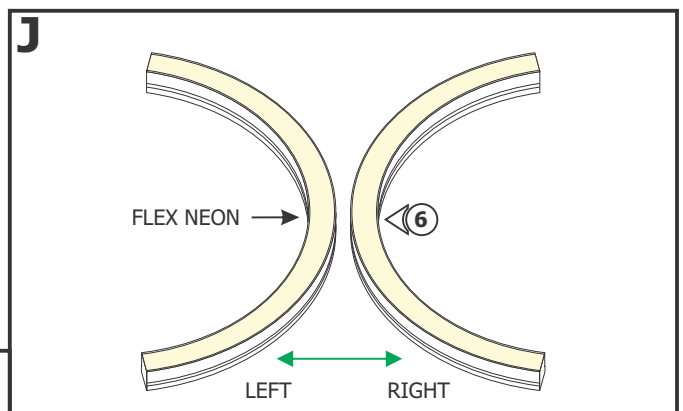
3: Tap the anchors onto the marked points up to the threaded portion with a hammer.

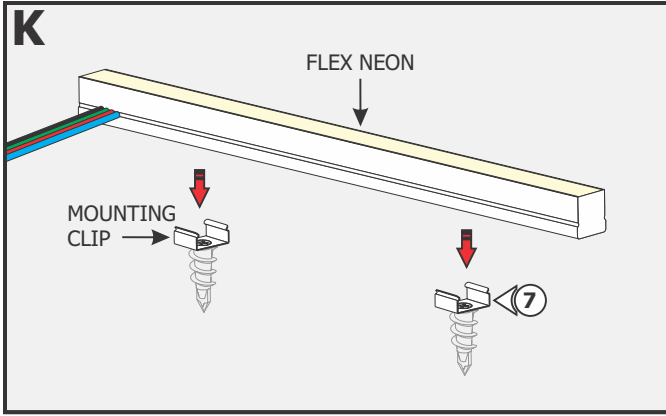
4: Screw in the threaded portion of the anchors with a Phillips screwdriver.



5: Line up the mounting clips to the anchors and secure it to the anchors by tightening the #8-32 screw to each clip.

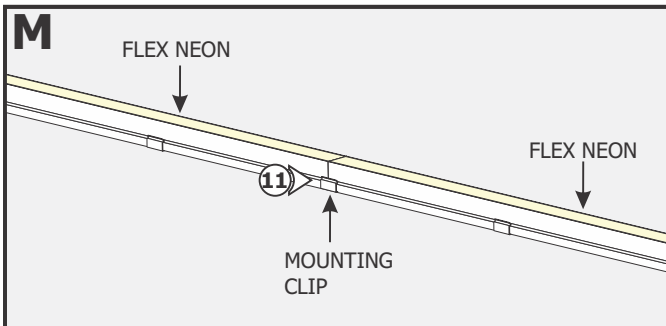
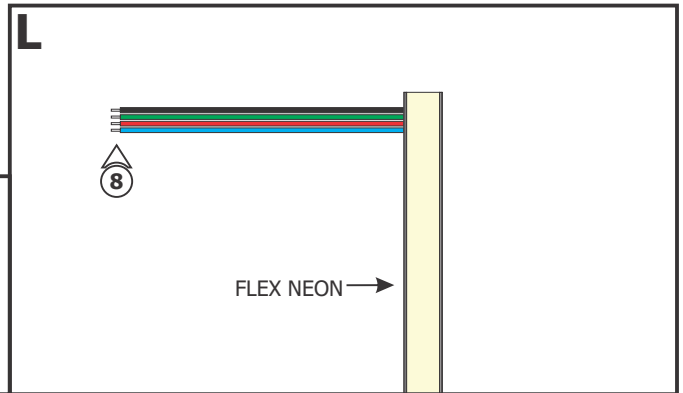
6: If necessary, bend the Flex Neon **ONLY** right to left or left to right.





7: Insert the Flex Neon into each mounting clip.

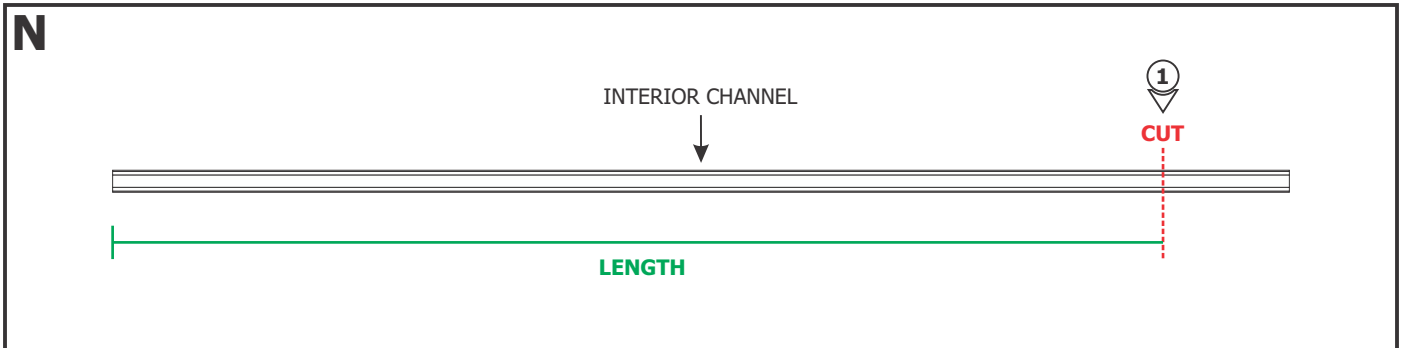
- 8:** Strip the wire ends to connect to the power supply.
- 9:** Follow the instructions provided with the power supply to power up the Flex Neon.
- 10:** If using 1RE Junction box, place all wire nut connections inside the junction box.



11: For seamless continuous runs, place a second seamless Flex Neon at one end of the first Flex Neon. Ensure that a mounting clip is in the center where the fixtures meet together.

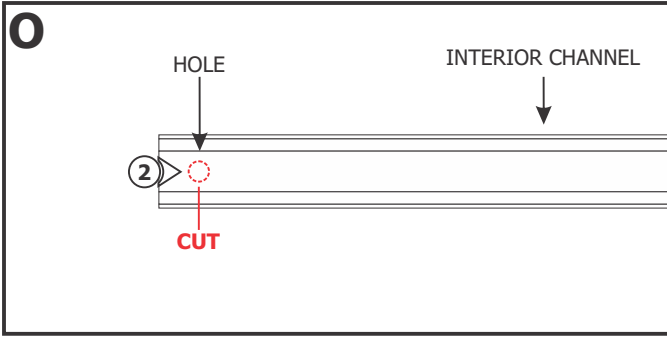
NOTE: Ensure that additional Flex Neon are properly supported and powered.

Section Three: Install the Flex Neon with Interior Channel



NOTE: Omit this section if using Left (L) Input/Output wire leads.

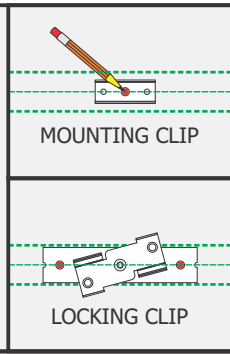
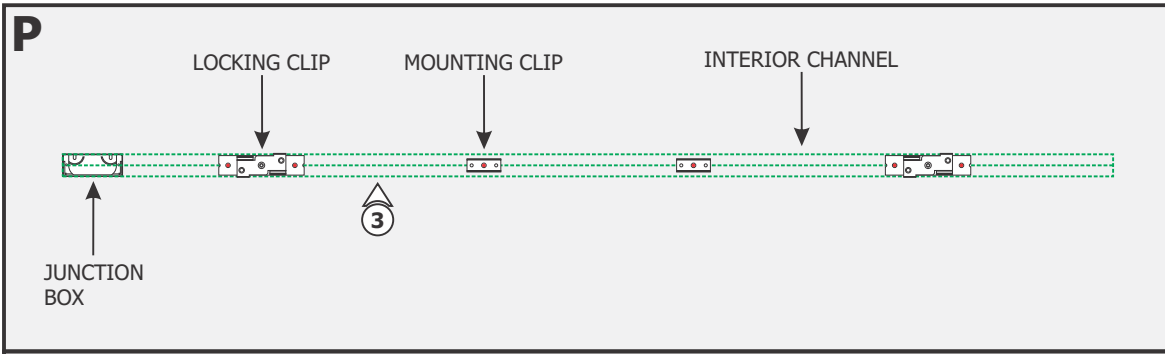
1: If necessary measure and cut the Interior Channel to length.



NOTE: Bottom (B) Input/Output is shown for demonstration purposes.

2: Drill a hole on the back of the channel that will be placed over the junction box to route power to the installation.

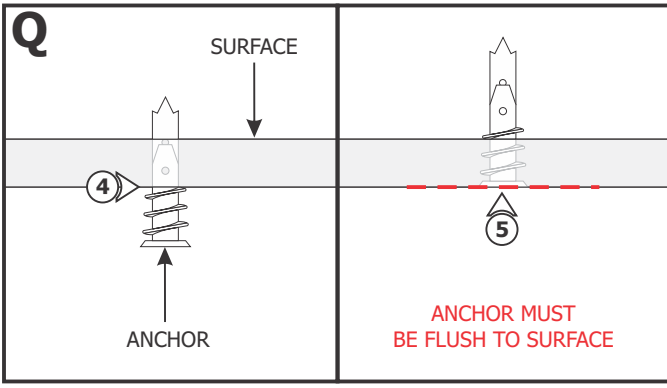
NOTE: Size of hole should be large enough to pass the power wires through (minimum 1/4" x 1/4").



NOTE: Clips must be leveled and centered. They must be installed maximum 24" from each other.

NOTE: If using 1RE Junction Box, the channel must pass through the center of the junction box.

3: Determine the location of the Interior Channel and make all necessary markings on the surface which will consist of the sides and center of the Interior Channel, mounting clips and locking clips.



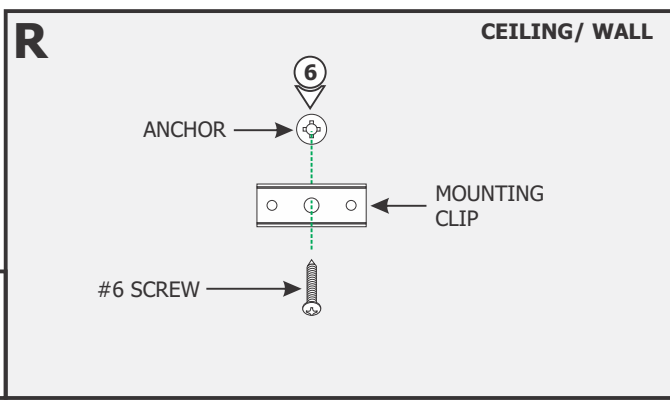
NOTE: Steps 4 and 5 are for drywall mounting. Omit these steps if mounting the clips to a wood surface directly.

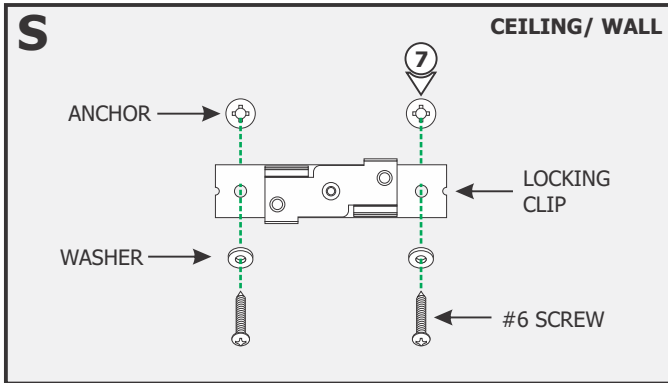
4: Tap the anchors onto the marked points up to the threaded portion with a hammer.

5: Screw in the threaded portion of the anchors with a Phillips screwdriver.

Mounting Clips:

6: Line up the mounting clip to the anchor and secure by tightening the screw through the center clip hole into the anchor.





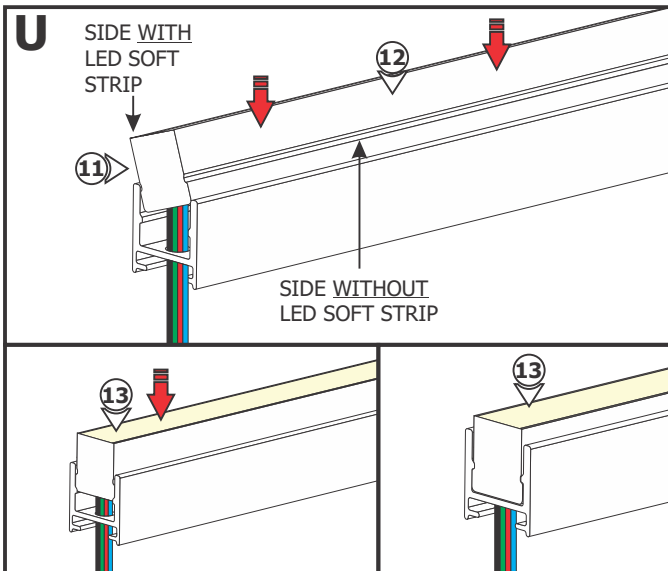
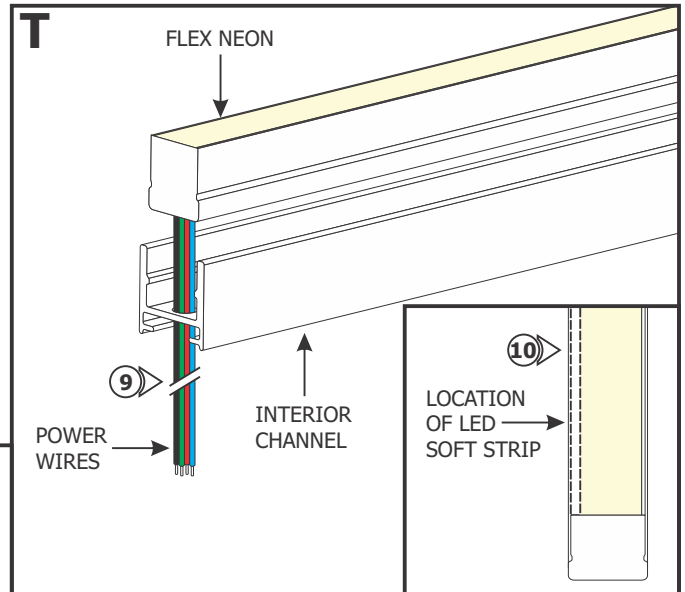
Locking Clips:

7: Line up the locking clips to the anchors and secure them by tightening the two #6 screws through the washers and clip holes into the anchors.

8: Repeat steps 4 through 7 for the remaining mounting and locking clips.

9: Feed the power wires through the hole on the Interior Channel.

10: Identify the thicker side of the Flex Neon that indicates the location of the LED Soft Strip.



11: Place the side with LED Soft Strip on an angle on top of the Interior Channel.

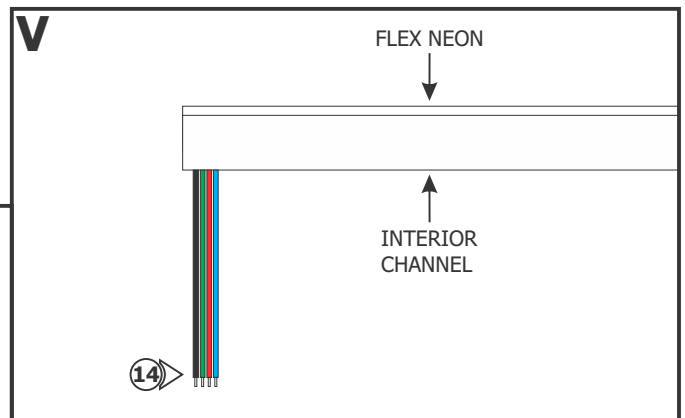
12: Slightly push down the side without LED Soft Strip inside the Interior Channel.

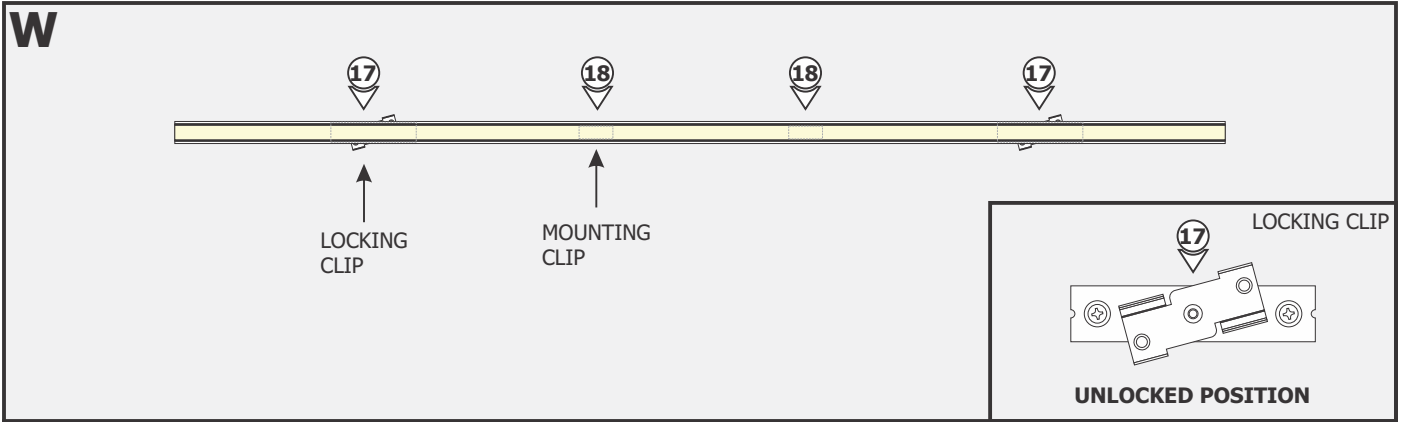
13: Carefully push the Flex Neon completely inside the Interior Channel.

14: Strip the wire ends to connect to the power supply.

15: Follow the instructions provided with the power supply to power up the Flex Neon.

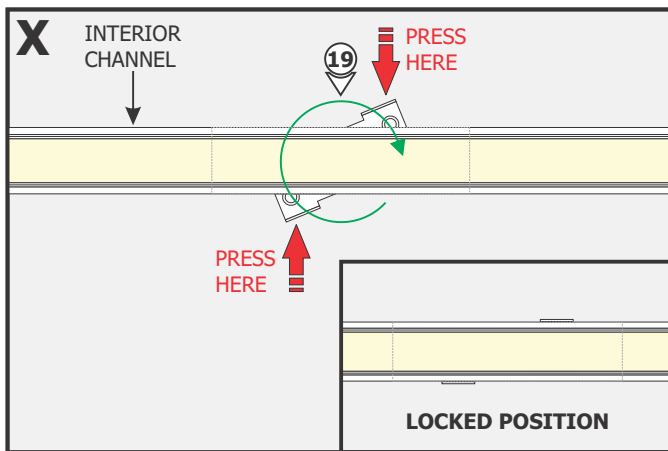
16: If using 1RE Junction box, place all wire nut connections inside the junction box.





17: Make sure the locking clips are in the unlocked position before installing the fixture to the mounting clips.

18: Carefully SNAP the Interior Channel onto the mounting clips.



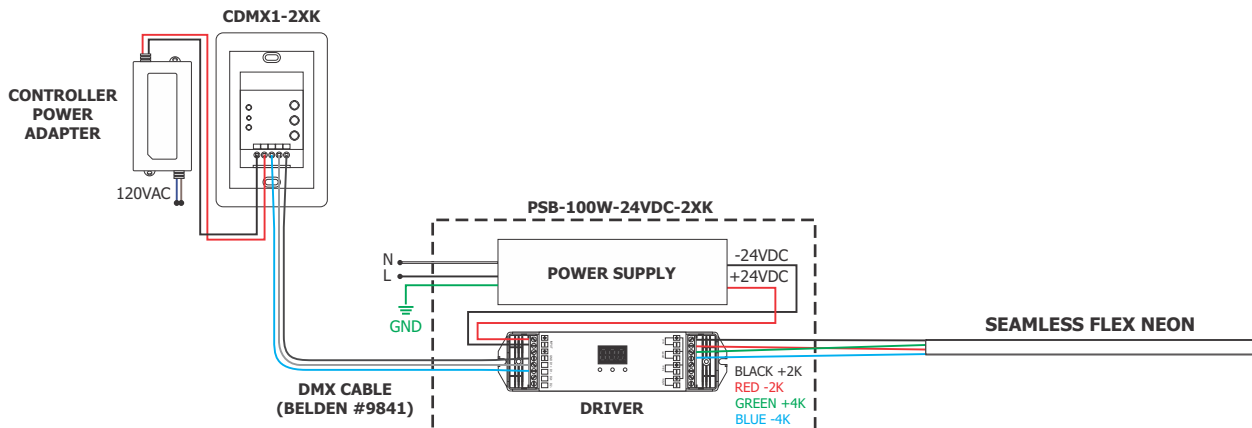
19: Twist each locking clip to lock the channel in place.

100W, 24VAC LOW VOLTAGE WIRE SIZE CHART

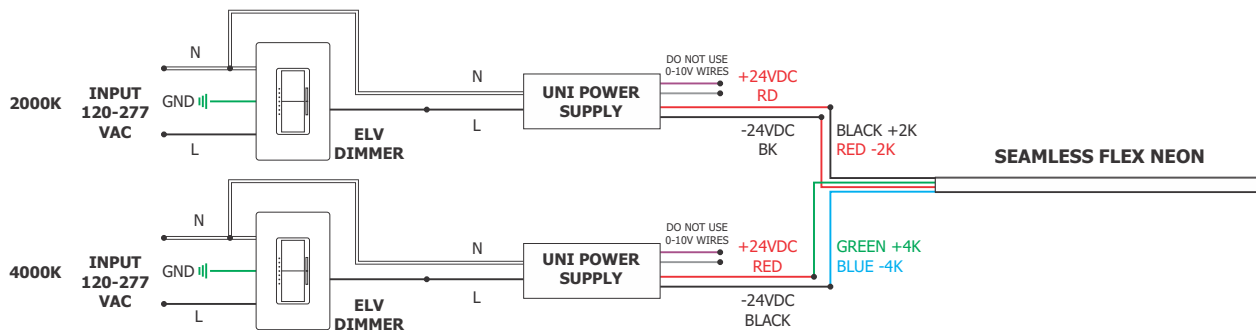
3% VOLTAGE DROP	WIRE LENGTH IN FT	UP TO 31FT	32FT-49FT	50FT-81FT	82FT-124FT
	WIRE SIZE	14 AWG	12 AWG	10 AWG	8 AWG
	VOLTAGE AT END OF THE WIRE	23.28 VAC	23.29 VAC	23.28 VAC	23.28 VAC

General Wiring Diagrams

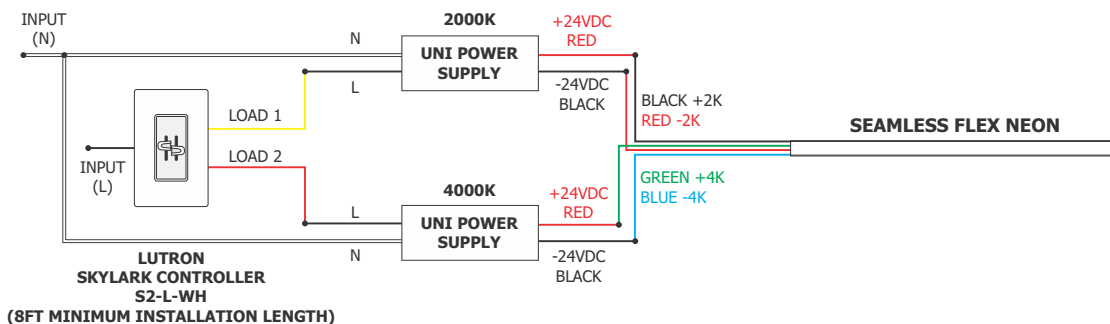
Using LED Power Supply with CDP, CTP, or CDMX Control (shown for demonstration purposes)



Two Power Supplies and ELV Dimmer



Using Two Power Supplies Triac Dimmer



Using Two Power Supplies and 0-10V Dimmers

