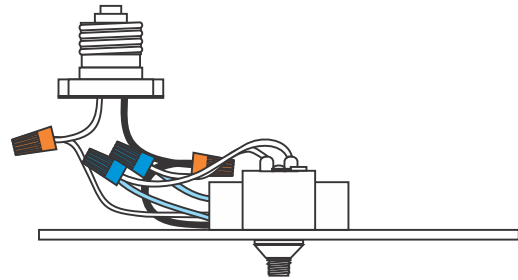


## Installation Instructions for **Fast Jack Power 7" Recessed Canopy**

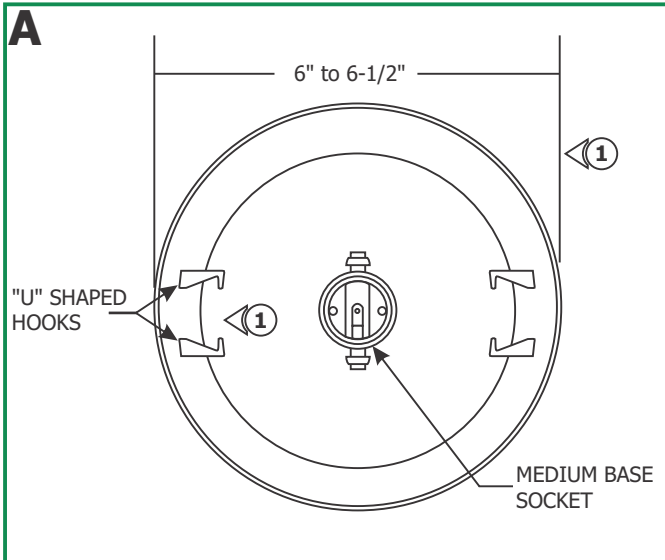
### IMPORTANT INFORMATION

- This product is ETL listed for indoor dry locations.
- This product may be dimmed only with a low voltage electronic dimmer.
- The Fast Jack recessed can transformer can be used with the following down lights: Juno IC2, TC2, and TC2R; Halo H7T and H7RT; Cooper lighting H27RT, Capri (Thomas) Lighting PR75ASIC/TPR75ASIC/DY6431; Progress Lighting P7TG, P8-TG and PIO8-TG. Edge Lighting is not affiliated with, nor is it endorsed by, any of the companies listed above.

**SAVE THESE INSTRUCTIONS!**

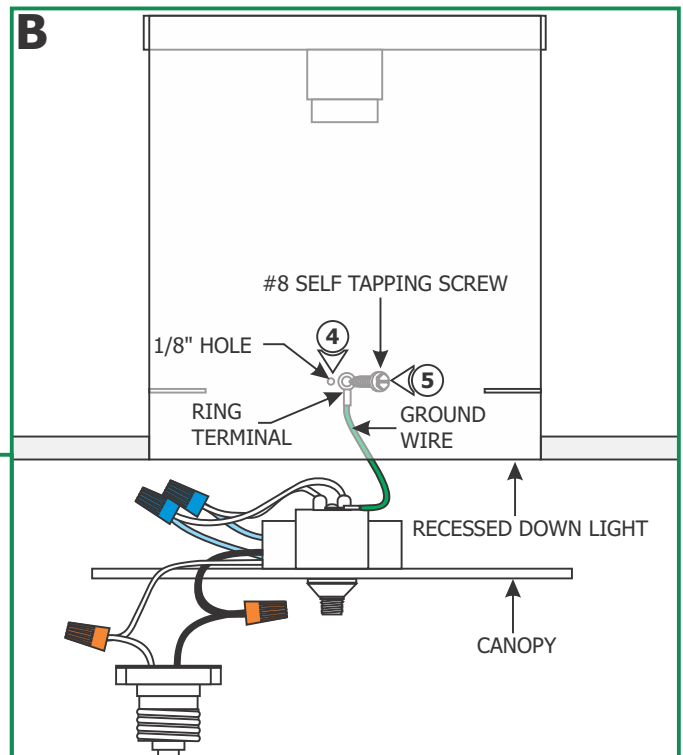


## Install the Recessed Can Transformer using the Butterfly Toggles



**1:** The Fast Jack recessed canopy can be mounted to down lights that:

- Contain "U" shaped hooks on the inside of the can wall.
- Are 6" to 6-1/2" in diameter.
- Have a medium base (E26) socket.

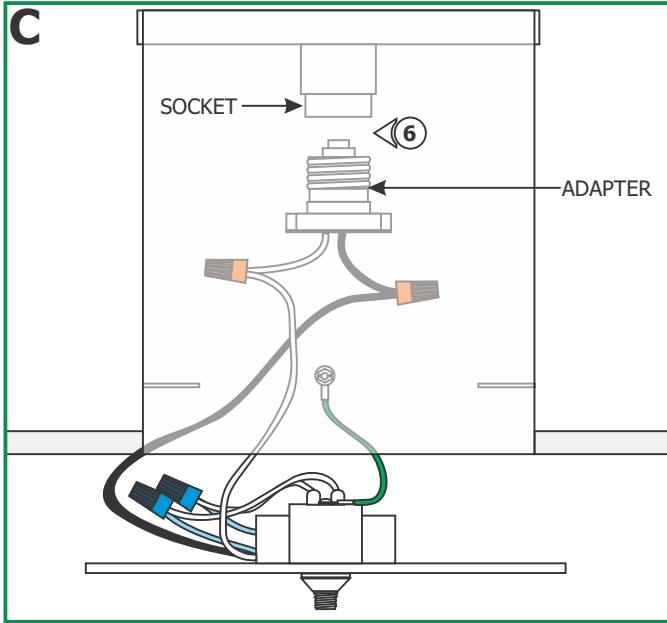


**2:** Turn the power to the recessed down light off.

**3:** Remove the existing trim and the lamp.

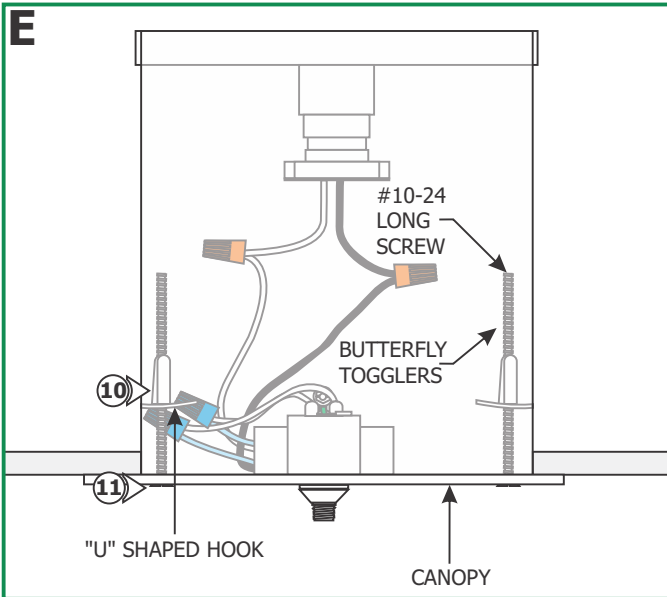
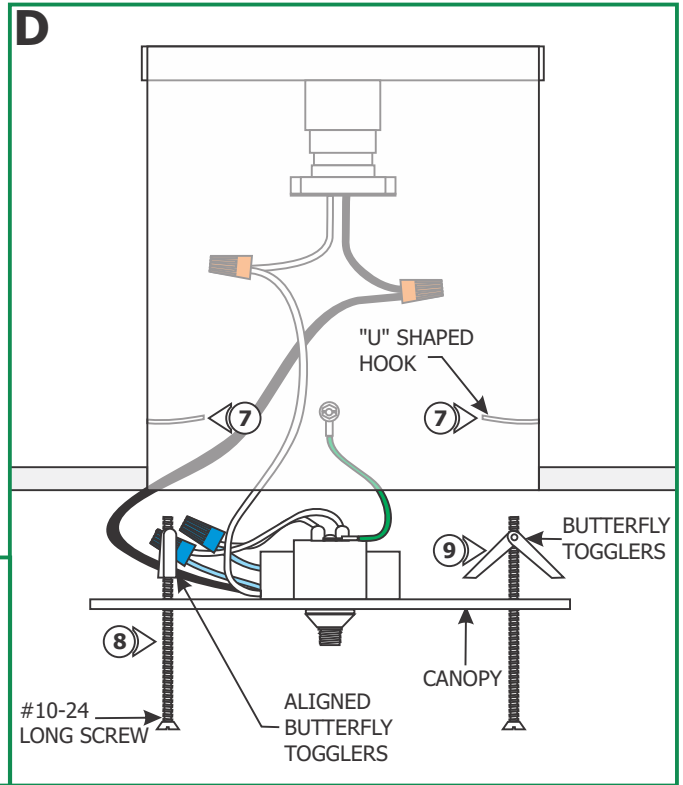
**4:** Drill 1/8" hole inside the down light can wall (a pre-drilled hole might exist that is applicable for the ground wire connection).

**5:** Connect the canopy ground wire terminal to the drilled hole with the #8 self tapping screw.



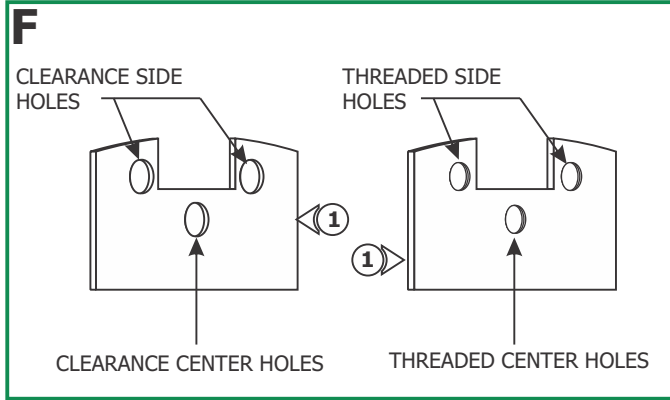
**6:** Screw the adapter completely into the medium base socket.

- 7:** Bend the "U" shaped hooks slightly up to hold the butterfly anchors.
- 8:** Push the #10-24 long screws through the canopy holes.
- 9:** Screw the butterfly togglers onto the tips of the #10-24 long screws.



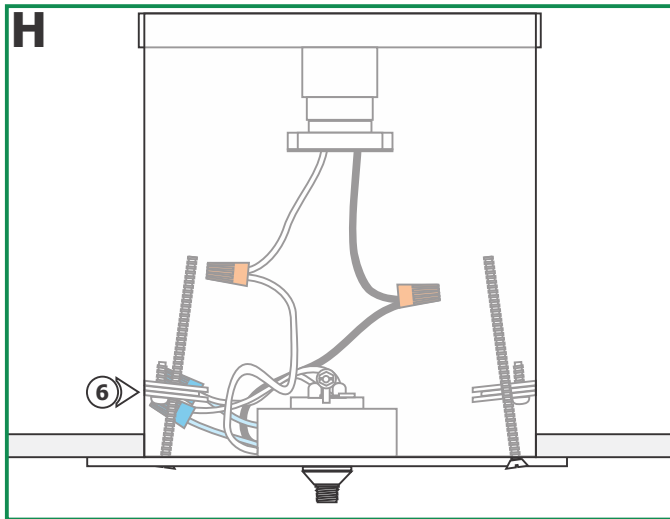
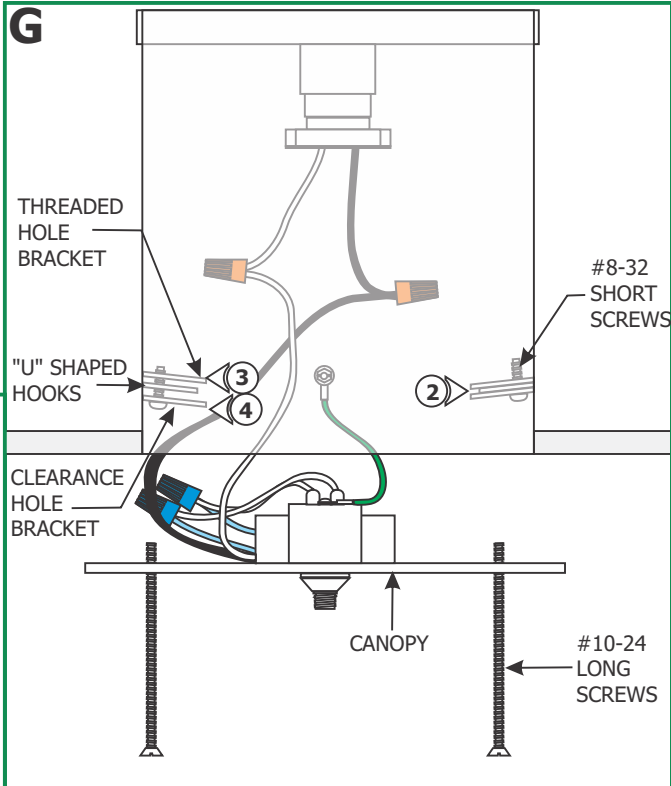
- 10:** Align and hang the butterfly togglers onto the "U" shaped hooks on both sides of the down lights.
- 11:** When the butterfly togglers are properly hung onto the "U" shaped hooks, tighten the long screws by keeping a light tension on the canopy. This will prevent the butterfly togglers from slipping off of the "U" shaped hooks.

# Install the Recessed Can Transformer using the Mounting Bracket



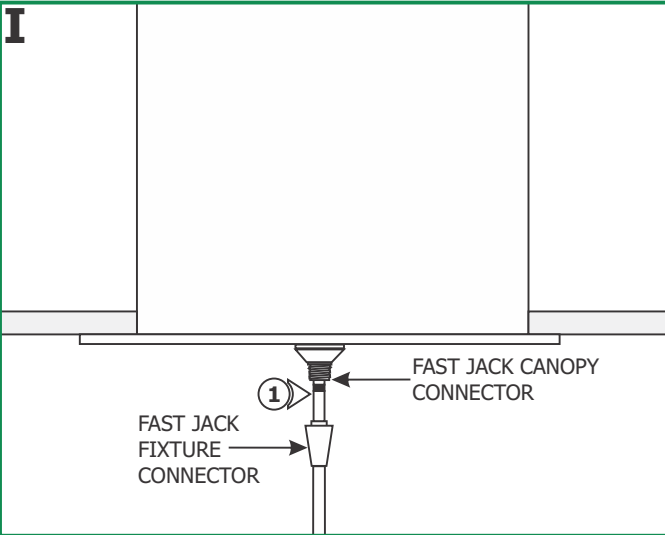
**1:** There are four mounting brackets included in the package, two of them with threaded holes and two others with clearance holes. Each set uses a threaded and a clearance hole brackets.

- 2:** Bend the "U" shaped hooks slightly down to avoid cross threading the #10-24 long screws that hold the canopy.
- 3:** Lay one threaded hole bracket on top of the "U" shaped hook so that the curve section of the bracket is in contact with the inside can wall.
- 4:** From the bottom of the "U" shaped hook, hold the clearance hole bracket. Line the two bracket holes up and screw them together with two #8-32 short screws so that these brackets clamp the "U" shaped hooks.
- 5:** Repeat steps 2 through 4 for the other "U" shaped hooks.



**6:** Screw the #10-24 long screws into the center hole of brackets.

# Connect the Fast Jack fixtures to the Fast Jack Recessed Canopy



**CAUTION: Risk of Fire: MAX** load of Fast Jack canopy is **75** watt.

**1:** Use fingers to tighten the Fast Jack fixture connector into the Fast Jack canopy connector.