



1718 W. Fullerton Chicago, IL 60614
 Ph: 773.770.1195 • Fax: 773.935.5613
 www.PureEdgeLighting.com • info@PureEdgeLighting.com
 © 2016 PureEdge Lighting. All Rights Reserved.

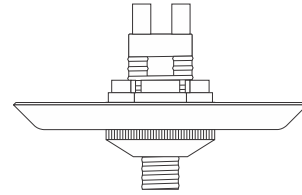
Installation Instructions for 2" Round & Square Fast Jack Power Canopies with 2" Plaster Ring

FJP-2_--

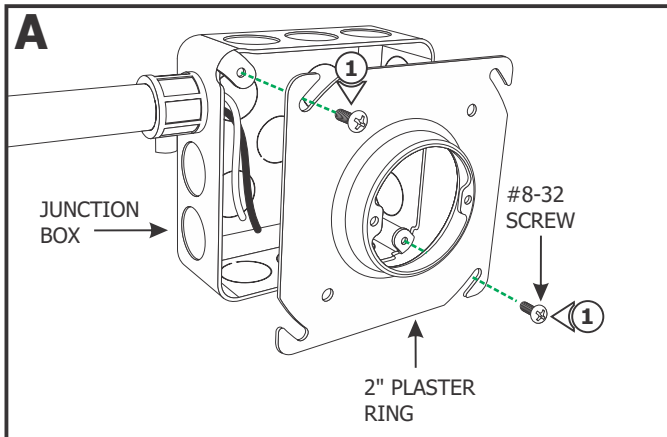
IMPORTANT INFORMATION

- This product is ETL listed for indoor dry locations.
- This product is installed to a 4" electrical box or to an octagon electrical box using the 2" plaster ring provided.
- Minimum electrical box volume must be 6 cubic inches (98 cubic centimeters).
- This product is for use only with halogen fixtures.

SAVE THESE INSTRUCTIONS!



Install the 2" Plaster Ring For New Construction



NOTE: Junction box must be mounted to allow clearance of 1/2" between the face of the junction box and the drywall surface.

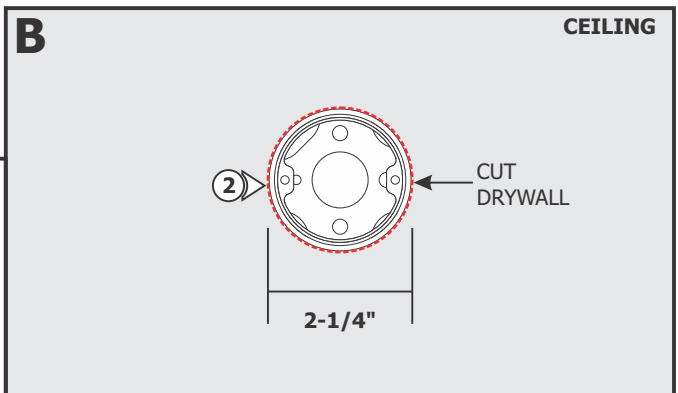
NOTE: 24VDC power wires must be present inside the junction box. Refer to the installation instructions provided with the power supply.

1: Install the 2" plaster ring to the junction box using two #8-32 screws.

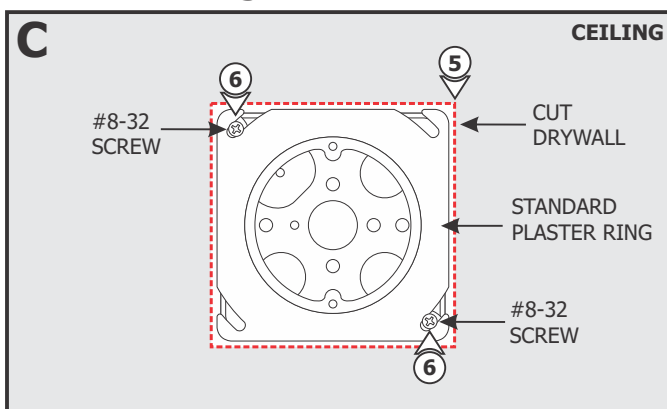
2: Use a circular saw to cut out the drywall section where the plaster ring is located.

3: Install the drywall. If necessary plaster, and finish the drywall.

4: Complete the installation by following steps in "**Install Fast Jack Port**" section.



For Remodeling



5: Cut away the drywall where the junction box is located.

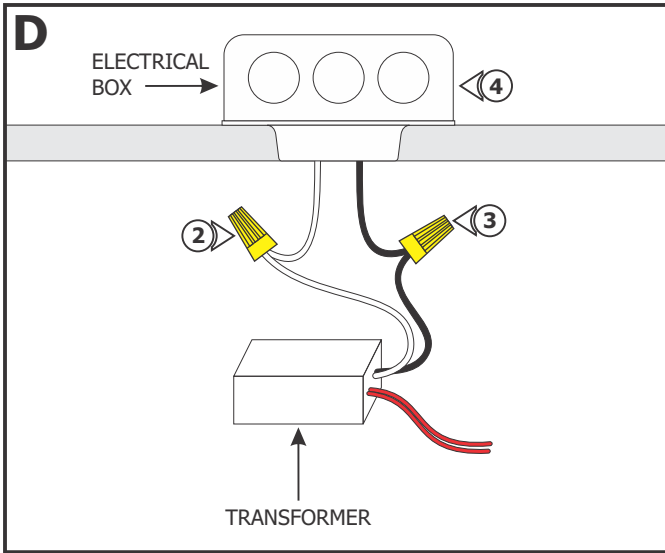
6: Uninstall the existing plaster ring by removing the #8-32 screws.

7: Install the 2" Plaster Ring to the junction box using two #8-32 screws.

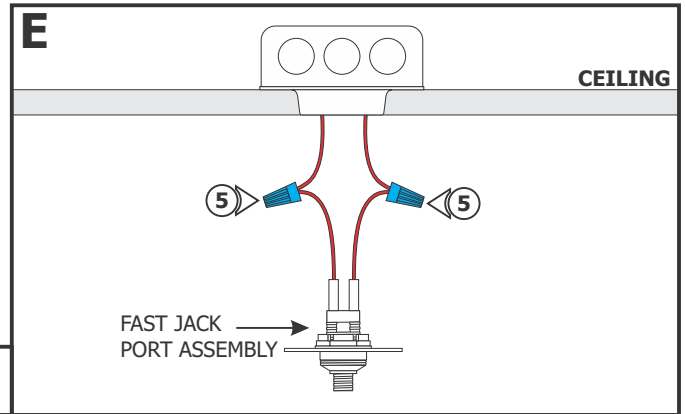
8: Plaster and finish around the junction box opening.

9: Complete the installation by following steps in "**Install Fast Jack Port**" section.

Install Fast Jack Port

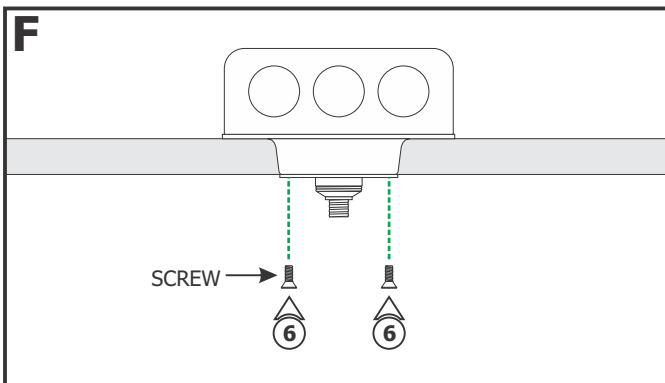


- 1: Turn the power to the electrical box off.
- 2: Connect the white transformer wire to the neutral power wire with a wire nut.
- 3: Connect the black transformer wire to the line power wire with a wire nut.
- 4: Place the transformer and connections inside the electrical box.

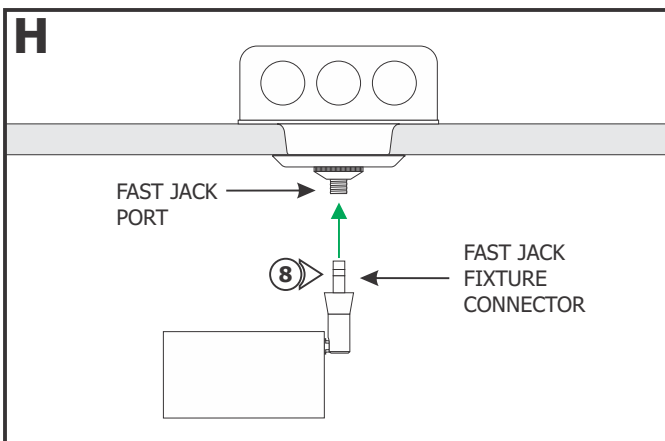
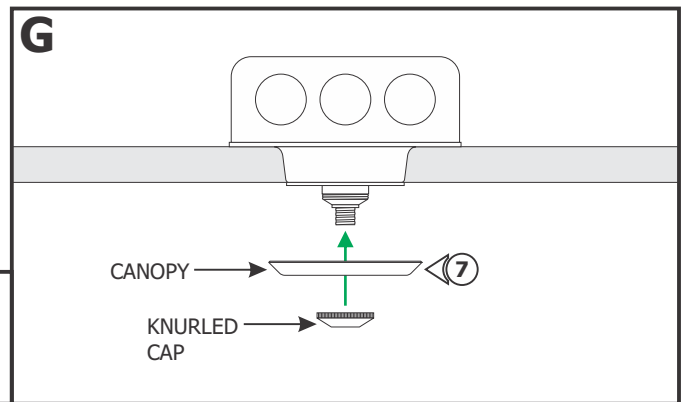


- 5: Connect each transformer wire to one wire of the Fast Jack Port assembly with a wire nut.

- 6: Place all wire and wire nut connections properly inside the electrical box. Mount the Fast Jack Port assembly to the 2" plaster ring using the screws provided.



- 7: Place the canopy onto the Fast Jack port against the electrical box and secure it in place by tightening the knurled cap to the Fast Jack port. **Make sure the knurled cap is not cross threaded.**



CAUTION: Risk of Fire: Max load of Fast Jack canopy is **75 watt.**

- 8: Use fingers to tighten the Fast Jack fixture connector into the Fast Jack canopy port.