



1718 W. Fullerton Chicago, IL 60614
 Ph: 773.770.1195 • Fax: 773.935.5613
 www.PureEdgeLighting.com • info@PureEdgeLighting.com
 © 2016 PureEdge Lighting. All Rights Reserved.

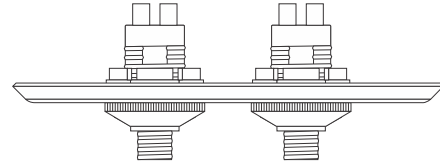
Installation Instructions for 4" Round & Square 2 Port Fast Jack LED 4" Canopy Only



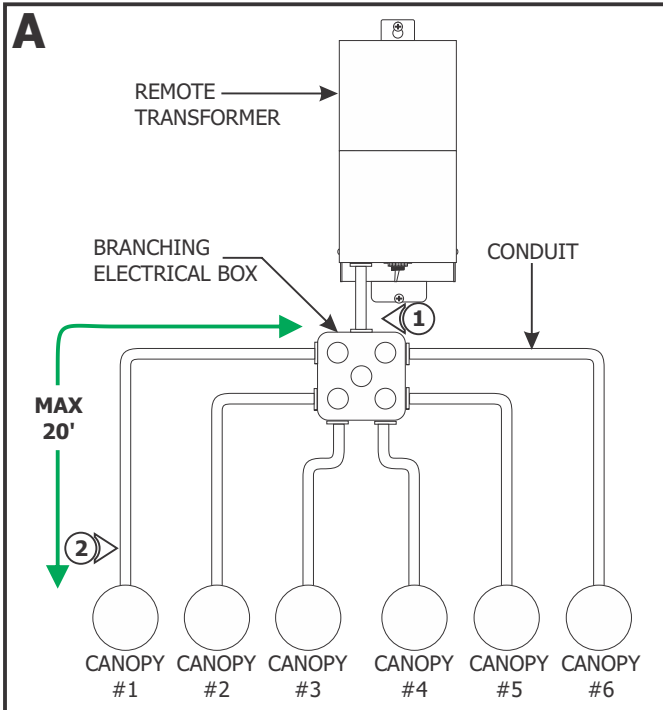
IMPORTANT INFORMATION

- This product is ETL listed for indoor dry locations.
- The product can be installed to a 4" electrical box with round plaster ring, or to an octagon electrical box.
- Minimum electrical box volume must be 6 cubic inches (98 cubic centimeters).

SAVE THESE INSTRUCTIONS!



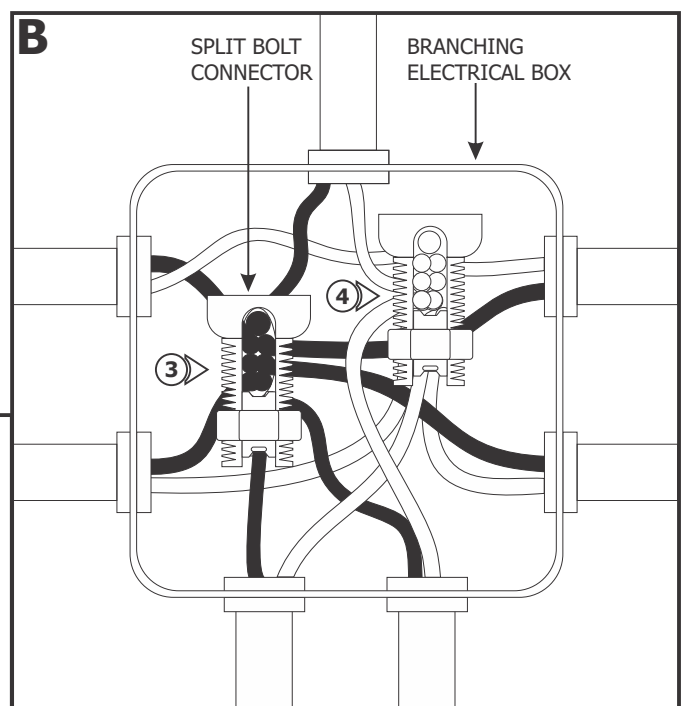
Running the Power from a Magnetic Remote Transformer to the Canopy Ports



1: Run the low voltage wires from a remote transformer to an electrical box to branch the power to each Fast Jack canopy. It is recommended to install the remote transformer near the electrical box to avoid voltage drop. Refer to the instructions provided with the remote transformer for low voltage wire size chart. Two branching electrical boxes are needed for T-600-D12 (dual feed) remote transformer.

2: Branch the power from the electrical box to the electrical box of each port. Refer to the low voltage wire size chart provided with the remote transformer.

NOTE: Each power branch should not exceed 20'.

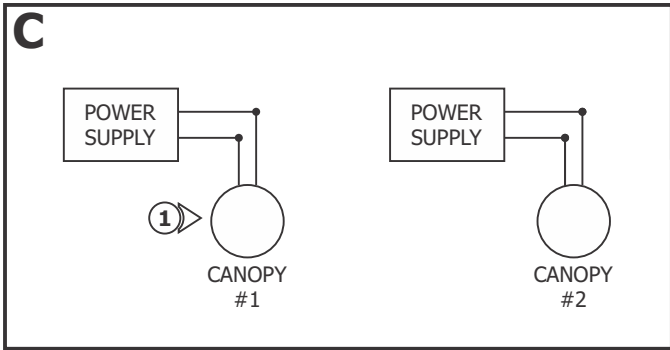


3: Using a split bolt connector, connect the low voltage hot wire coming from the remote transformer to each hot wire going to the canopy ports.

4: Connect the low voltage common wire coming from the remote transformer to each common wire going to the canopy ports.

5: Make sure that the split bolt connectors are properly insulated.

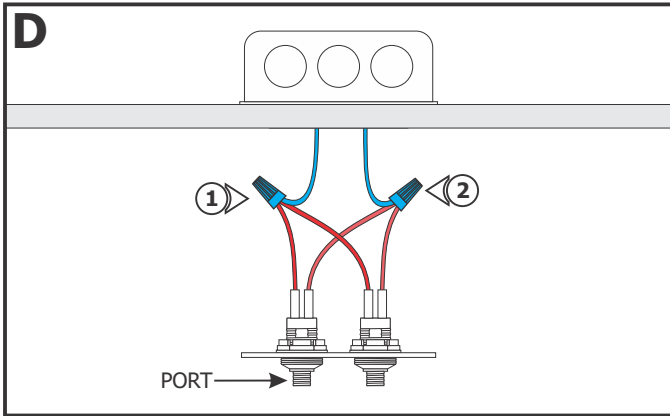
Running the Power from an Electronic LED Power Supply to the Canopy



1: Insert one power supply (TE-60L-12) into each electrical box to power the canopies individually.

NOTE: Ensure the canopy is grounded in accordance to local electrical codes.

Install the 4" Round or Square Canopy

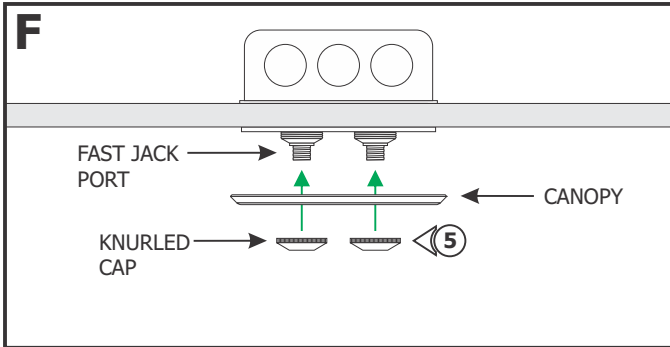
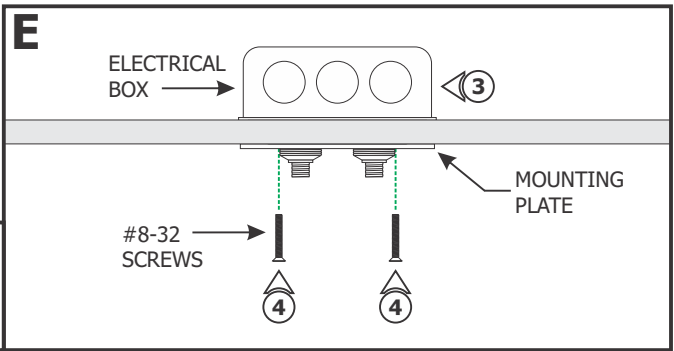


1: Connect one wire of each Fast Jack port to one transformer wire (either one) with a wire nut.

2: Connect the other wire of each port to the other transformer wire with a wire nut.

3: Place all wires inside the electrical box.

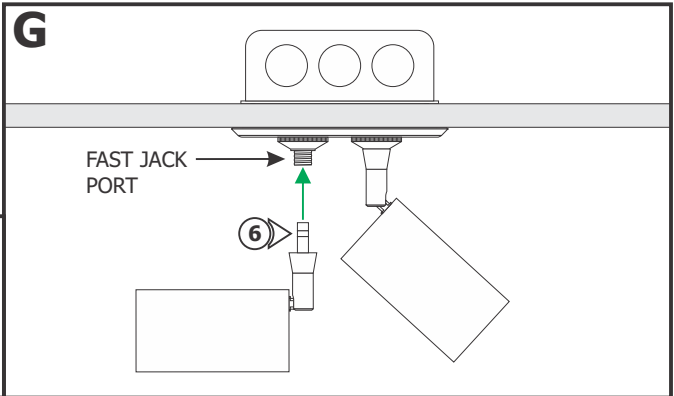
4: Secure the Fast Jack assembly mounting plate to the electrical box by tightening the two provided #8-32 screws.



5: Place the canopy holes onto the Fast Jack ports against the electrical box and secure it in place by tightening the knurled caps to the Fast Jack ports. **Make sure the knurled caps are not cross threaded.**

CAUTION: Risk of Fire: The total load of the Fast Jack canopy ports should not exceed the remote transformer rated capacity.

6: Use fingers to tighten the Fast Jack fixture connector into the Fast Jack canopy ports.



LOW VOLTAGE WIRE SIZE CHART			
TRANSFORMER WATTAGE	WIRE SIZE FOR 1-13FT	WIRE SIZE FOR 14-19FT	WIRE SIZE FOR 20-32FT
TE-60L-12	#14 AWG	#12 AWG	#10 AWG