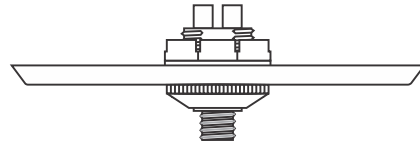


Installation Instructions for **Fast Jack Round & Square 4" Flat Canopy Ports Only**

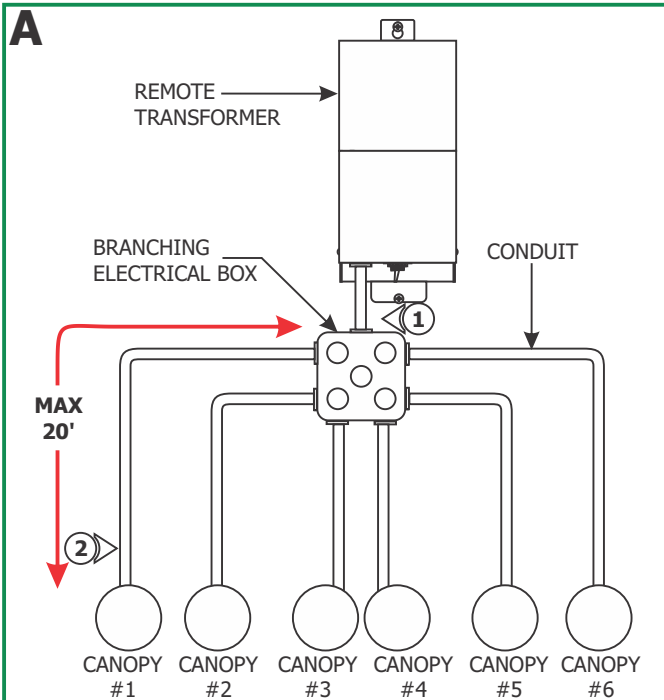
IMPORTANT INFORMATION

- This product is ETL listed for indoor dry locations.
- This product can be installed to a 4" electrical box with round plaster ring, or to an octagon electrical box.
- Minimum electrical box volume must be 6 cubic inches (98 cubic centimeters).

SAVE THESE INSTRUCTIONS!



Running the Power from a Magnetic Remote Transformer to the Canopy Ports



1: Run the low voltage wires from a remote transformer to an electrical box to branch the power to each Fast Jack canopy. It is recommended to install the remote transformer near the electrical box to avoid voltage drop. Refer to the instructions provided with remote transformer for low voltage wire size chart. Two branching electrical box is needed for T-600-D12 (dual feed) remote transformer.

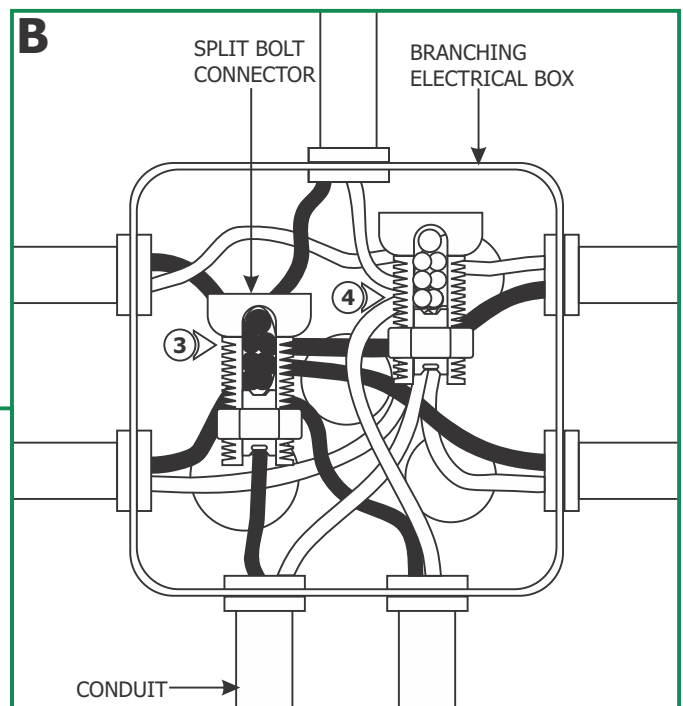
2: Branch the power from the electrical box to the electrical box of each port. Refer to the low voltage wire size chart provided with the remote transformer.

NOTE: Each power branch should not exceed 20'.

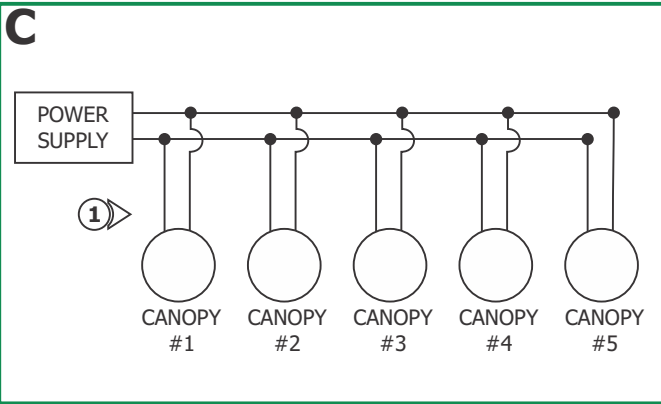
3: Using a split bolt connector, connect the low voltage hot wire coming from the remote transformer to each hot wire going to the canopy ports.

4: Connect the low voltage common wire coming from the remote transformer to each common wire going to the canopy ports.

5: Make sure that the split bolt connectors are properly insulated.



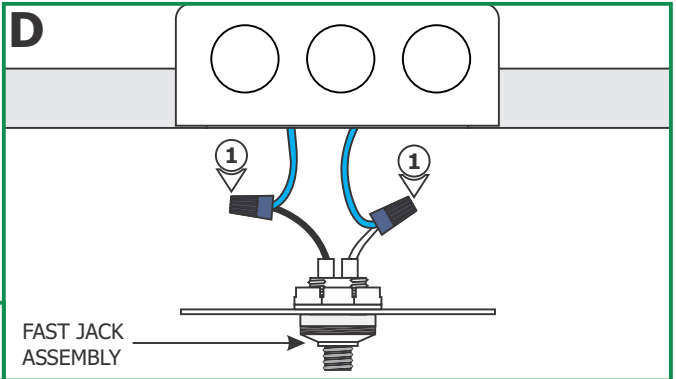
Running the Power from an Electronic LED Power Supply to the Canopy Ports



1: Insert the power supply (TE-60L-12) into an electrical box to branch the power to each Fast Jack canopy. The power supply wires are connected in parallel with Fast Jack canopy wires. It is recommended to install each canopy near the power supply to avoid voltage drop. Refer to the chart below for the proper low voltage wire size.

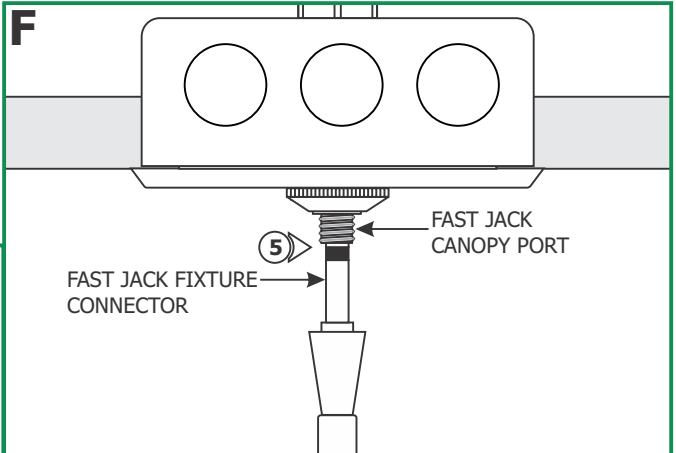
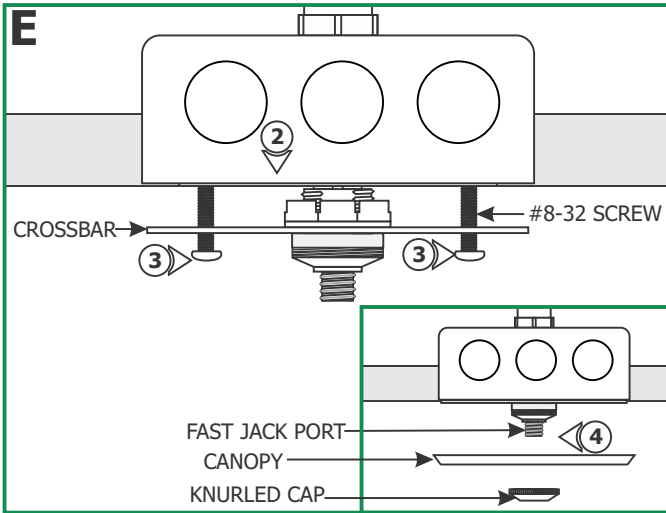
NOTE: Each power branch should not exceed 20'.

Install the 4" Round or Square Canopy



1: Connect each Fast Jack assembly wire to one low voltage transformer wire with a wire nut.

2: Place all wire nut connections inside the electrical box.
3: Secure the Fast Jack assembly crossbar to the electrical box by tightening the two provided #8-32 screws.
4: Place the canopy center hole onto the Fast Jack port against the electrical box and secure it in place by tightening the knurled cap to the Fast Jack port. **Make sure the knurled cap is not cross threaded.**



CAUTION: Risk of Fire: The total load of the Fast Jack canopy ports should not exceed the remote transformer rated capacity.

5: Use fingers to tighten the Fast Jack fixture connector into the Fast Jack canopy port.

LOW VOLTAGE WIRE SIZE CHART

TRANSFORMER WATTAGE	WIRE SIZE FOR 1-13 ft	WIRE SIZE FOR 14-19 ft	WIRE SIZE FOR 20-32 ft
TE-60L-12	#14 AWG	#12 AWG	#10 AWG