



1718 W. Fullerton Chicago, IL 60614  
 Ph: 773.770.1195 • Fax: 773.935.5613  
 www.PureEdgeLighting.com • info@PureEdgeLighting.com  
 © 2016 PureEdge Lighting. All Rights Reserved.

## Installation Instructions for 14 or 17 Port Rectangle Fast Jack Canopy without Transformers (Remote)

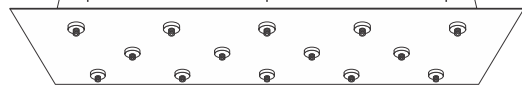
FJC-33RE-\_\_



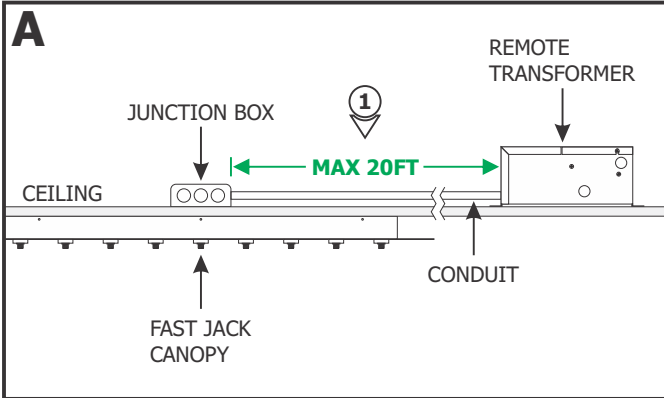
### IMPORTANT INFORMATION

- This product is ETL listed for indoor dry locations.
- This product mounts to a 4" standard junction box with round plaster ring, or an octagon box.

**SAVE THESE INSTRUCTIONS!**

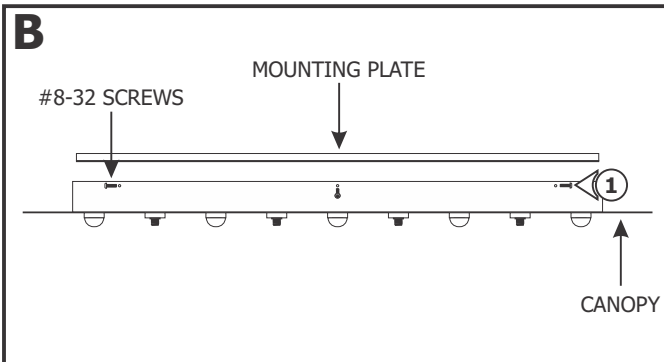


## Run the Power from a Remote Transformer to the Fast Jack Canopy



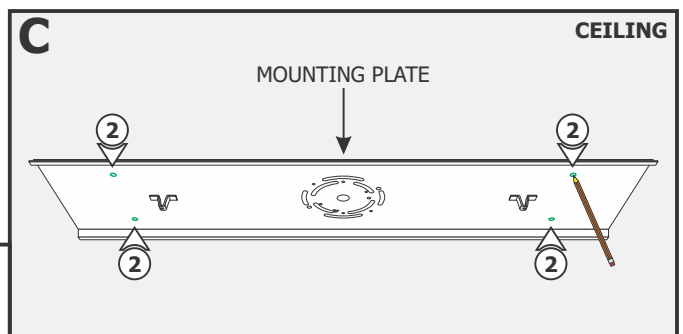
**1:** Run the low voltage wires from a remote transformer to the junction box where the Fast Jack canopy is going to be installed. It is recommended to install the remote transformer near the junction box to avoid voltage drop. Refer to the low voltage wire size chart provided with the remote transformer.

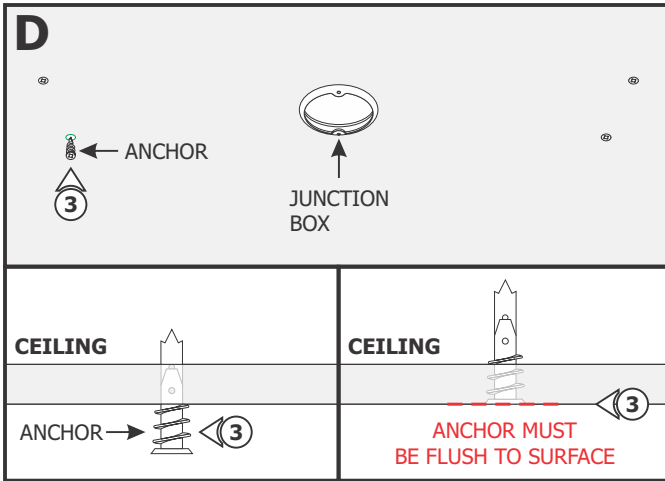
## Install the Canopy



**1:** Remove the six #8-32 screws around the canopy to remove the mounting plate.

**2:** Align the mounting plate with the junction box. Using the mounting plate as a template, mark four mounting holes onto the ceiling.





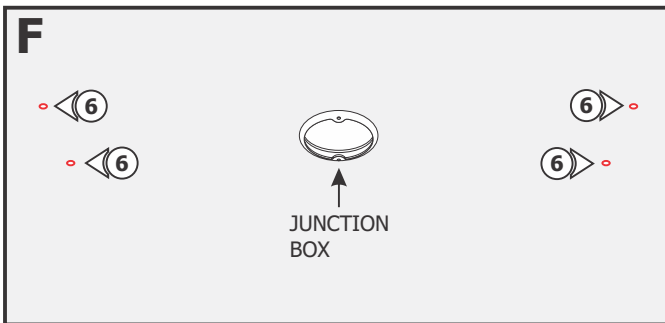
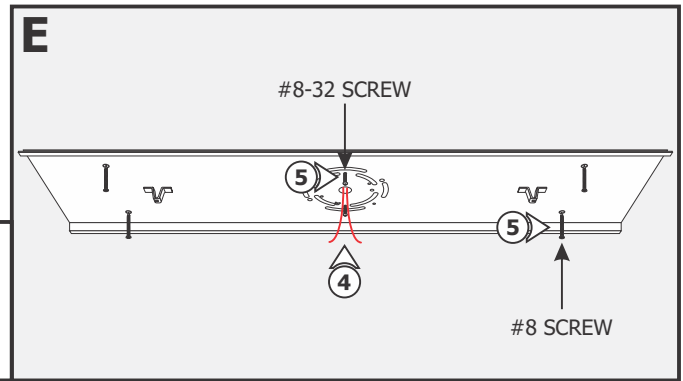
**NOTE:** Step 3 is for drywall mounting only. Omit these steps if mounting the canopy to a wood surface directly.

**NOTE:** If using toggle bolt anchors, refer to steps 6 through 13.

**3: Drywall Anchors:** Tap the anchors onto the marked points up to the threaded portion with a hammer. Then screw in the threaded portion with a Phillips screw driver.

**NOTE:** All 4 anchors must be installed to balance the pendants weight.

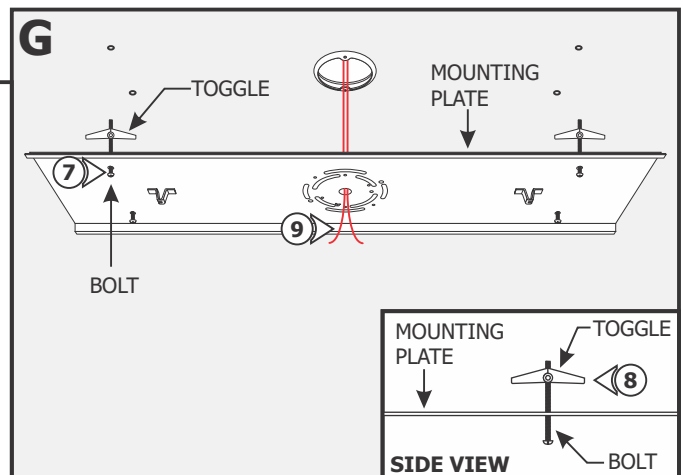
- 4:** Feed the low voltage remote transformer wires through the center hole of the mounting plate.
- 5:** Secure the mounting plate to the junction box and anchors using the provided screws.

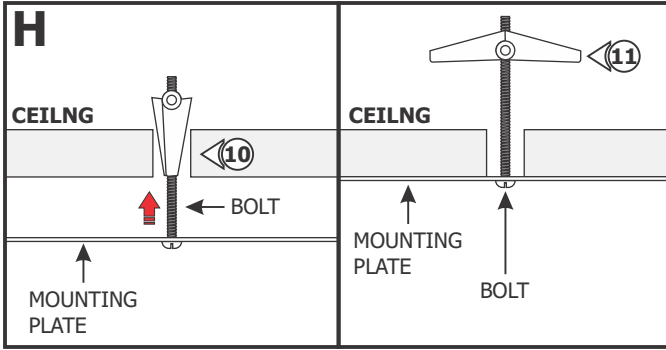


**NOTE:** Omit steps 6 through 13 if using drywall anchors.

**6: Toggle Bolt Anchors:** Drill holes onto the marked points large enough to pass the toggles.

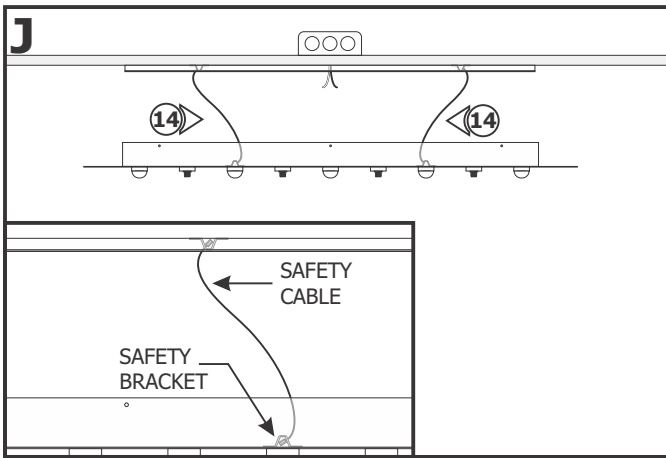
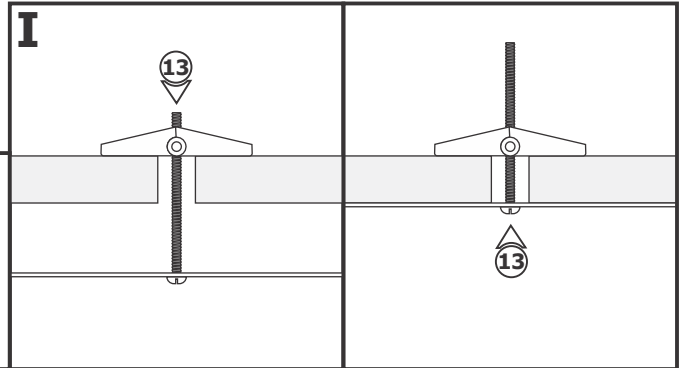
- NOTE:** It is recommended that a person holds the mounting plate while the electrician installs it.
- 7:** Unscrew the toggle and remove from each bolt. Feed the bolts through the holes on the mounting plate.
- 8:** Screw the toggles back onto the bolts.
- 9:** Feed the low voltage remote transformer wires through the center hole of the mounting plate.
- NOTE:** All 4 toggle bolts must be installed to balance the pendants weight.





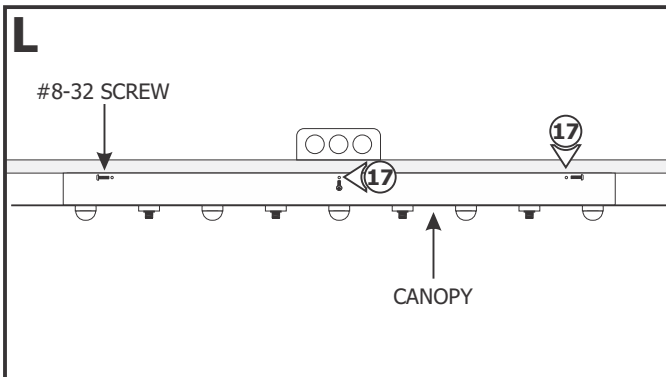
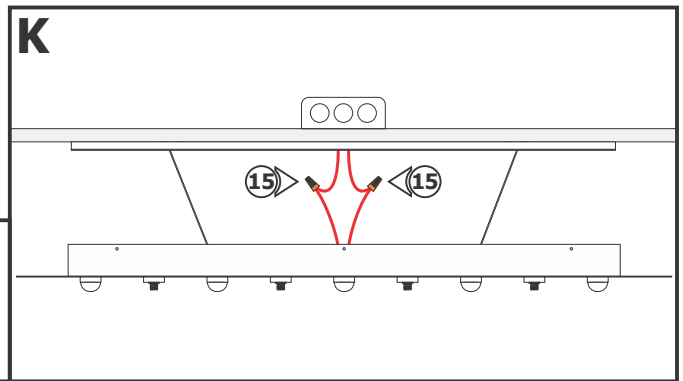
- 10:** Fold the toggles and insert them into the mounting holes on the ceiling.
- 11:** Place the mounting plate and bolts against the ceiling until the toggles spring open.

- 12:** Secure the mounting plate to the ceiling by tightening the bolts. Gently pull on the bolt while screwing to prevent the toggle from spinning around with the bolt. Ensure mounting plate is aligned with the junction box.
- 13:** Secure the mounting plate to the junction box using the provided #8-32 screws.



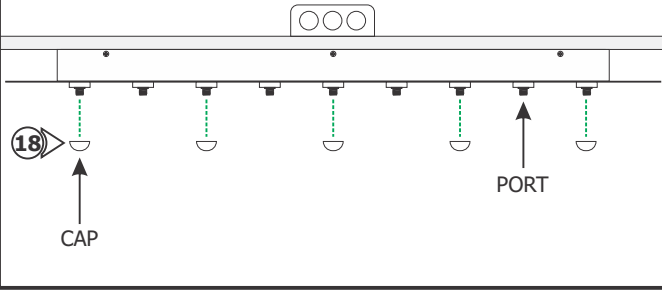
- 14:** Feed one end of the safety cable into the safety bracket on the mounting plate. Insert the other end into the safety bracket on the canopy. Repeat for the other safety cable.

- 15:** Connect one of the port wires to one transformer wire (anyone) with a wire nut. Connect the other port wire to the other transformer wire with a wire nut. (May require parallel wiring among the port wires before connecting to the transformer wires. See wiring diagram on page 4.)



- 16:** Place all wires and wire nut connections inside the canopy.
- 17:** Place the canopy over the mounting plate and tighten the six #8-32 screws to secure in place.

**M**

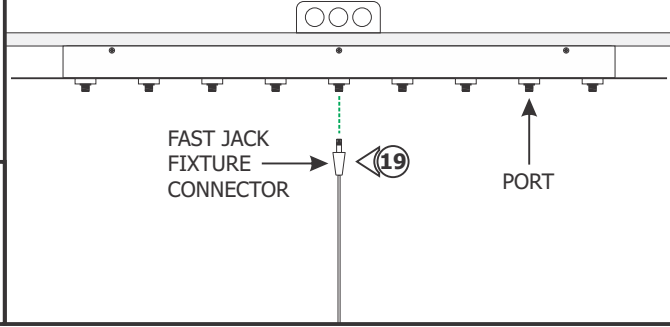


**18:** Determine the ports that are going to be used and remove the caps from the ports.

**CAUTION: Risk of Fire:** The total load of the Fast Jack canopy ports should not exceed the remote transformer rated capacity.

**19:** Use fingers to tighten each Fast Jack fixture connector into one Fast Jack port.

**N**



### General Wiring Diagram

