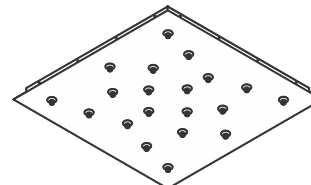


Installation Instructions for 24" Square 20 & 26 Port Fast Jack Canopy Only

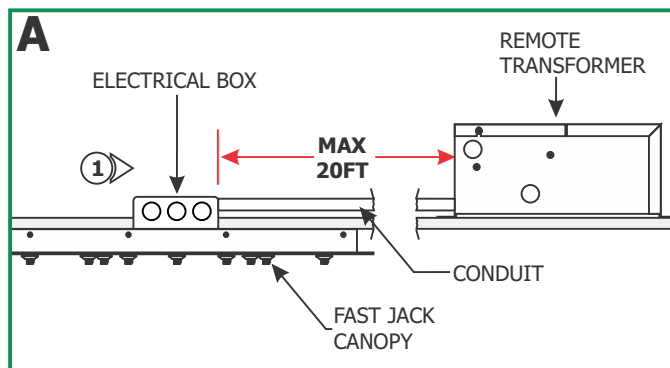
IMPORTANT INFORMATION

- This product is ETL listed for indoor dry locations.

SAVE THESE INSTRUCTIONS!

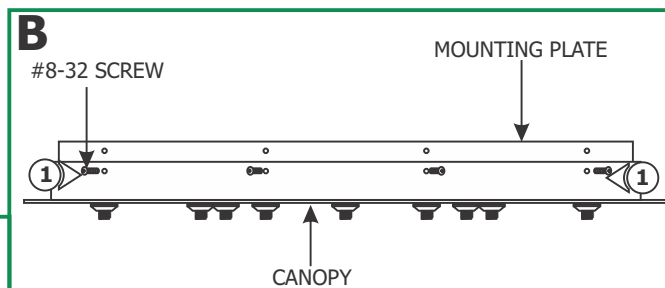


Running the Power from a Remote Transformer to the Fast Jack Canopy

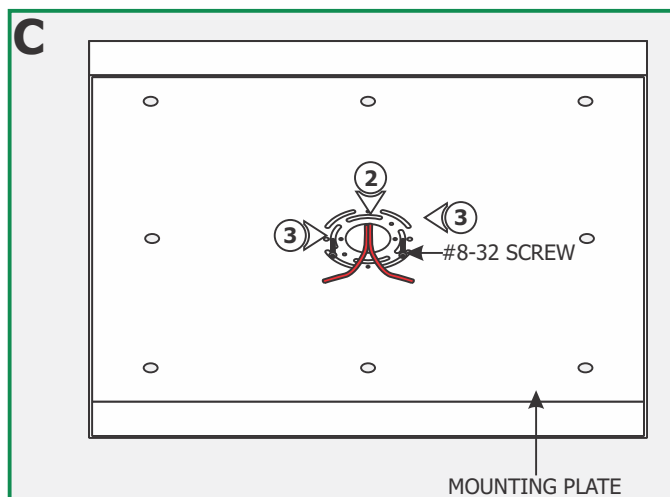


1: Run the low voltage wires from a remote transformer to electrical box where Fast Jack canopy is going to be installed. It is recommended to install the remote transformer near the electrical box to avoid voltage drop. Refer to the instructions provided with remote transformer for low voltage wire size chart. Refer to the low voltage wire size chart provided with the remote transformer.

Install the Canopy



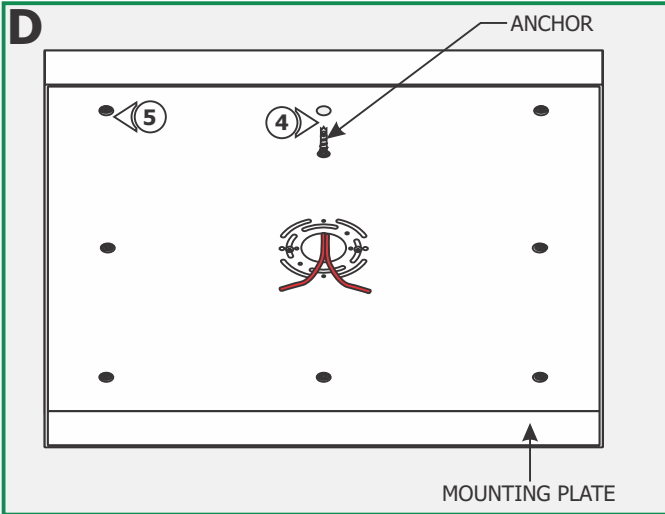
1: Remove the sixteen #8-32 screws around the canopy to remove the mounting plate.



NOTE: It is recommended that a person to hold the mounting plate while the electrician installs it.

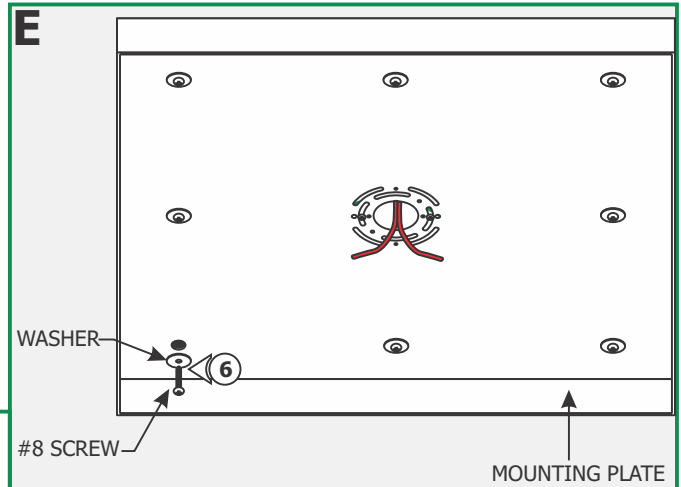
2: Feed the low voltage coming from the remote transformer through mounting plate center hole.

3: Align the mounting plate slots with the electrical box holes and secure it to the electrical box holes with the provided two #8-32 screws.

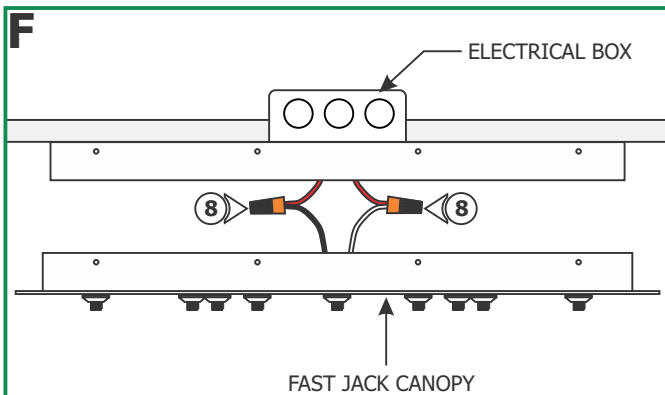


- 4:** Tap the anchors through the mounting plate holes onto the marked point up to the threaded portion with a hammer.
- 5:** Screw in the threaded portion of the anchors with a Phillips screwdriver.

NOTE: All 8 anchors must be installed to balance the pendants weight.



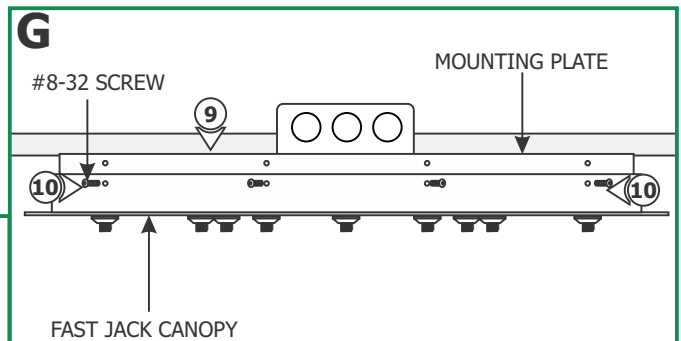
- 6:** Secure the mounting plate to the anchors with the provided #8 screws and washers.



- 7:** Make sure that the mounting plate is grounded in accordance with local electrical codes.

NOTE: Make sure a person holds the Fast Jack canopy while the electrician connects the wires and completes the installation.

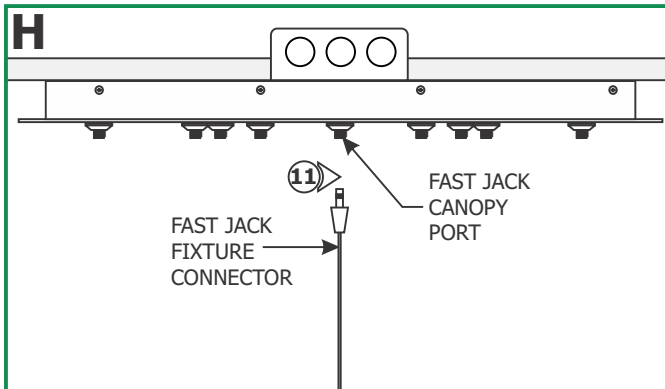
- 8:** Connect each canopy wire to one low voltage transformer wire with a wire nut.



- 9:** Place all wires and wire nut connections inside the canopy.

- 10:** Place the canopy onto the mounting plate and tighten the sixteen #8-32 screws.

CAUTION: Risk of Fire: The total load of the Fast Jack canopy ports should not exceed the remote transformer rated capacity..



- 11:** Use fingers to tighten each Fast Jack fixture connector into one Fast Jack canopy port.