



1718 W. Fullerton Chicago, IL 60614  
 Ph: 773.770.1195 • Fax: 773.935.5613  
 www.PureEdgeLighting.com • info@PureEdgeLighting.com  
 © 2016 PureEdge Lighting. All Rights Reserved.

## Installation Instructions for **Tubo Small Vanishing Point and Tubo Small Track Head**

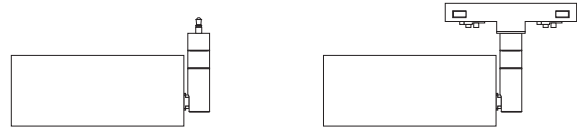
**FJ24-TUBS-\_\_**  
**T24-TUBS-\_\_**



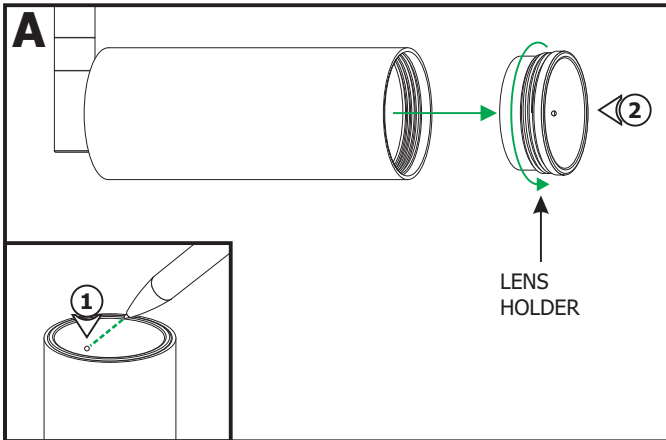
### IMPORTANT INFORMATION

- This product is suitable for indoor locations.
- Ensure that power to the electrical box is **OFF** before beginning installation.
- These lighting fixtures must be used with PureEdge Lighting 24 volt Vanishing Point Monopoint system and track systems only.
- This product is dimmable when the system is powered with PureEdge 0-10 volt, ELV and Universal power supplies.

**SAVE THESE INSTRUCTIONS!**

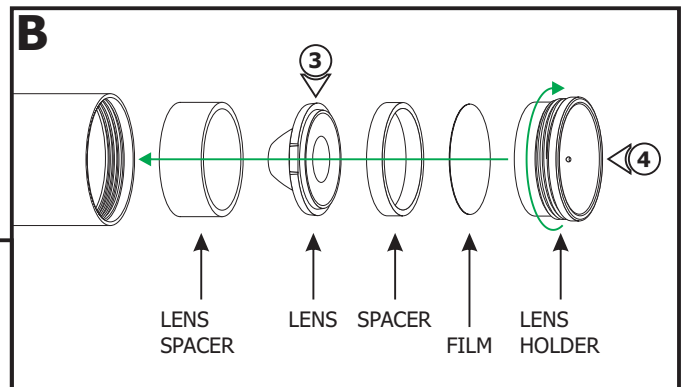


## Section One: Replace the Lens

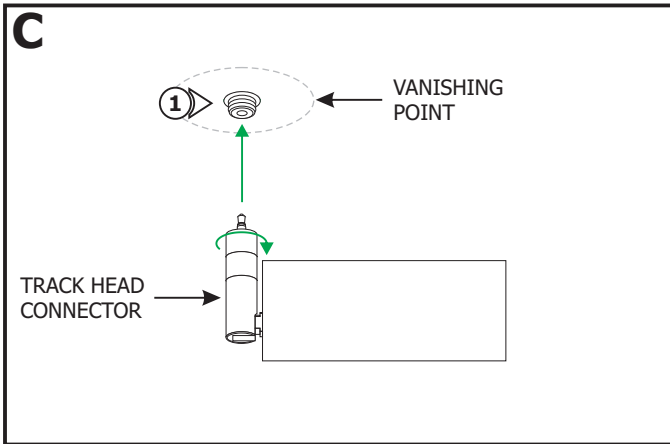


- 1:** Use a pen or small Allen wrench to loosen the lens holder.
- 2:** Unscrew the lens holder counter-clockwise and remove it from the fixture.

- 3:** Remove the lens spacer, lens, spacer and film.
- 4:** Replace the lens. Place the lens spacer and lens inside the fixture. Place the spacer and film over the lens and screw the lens holder back clockwise to secure in place.



## Section Two: Install the Track Head for Vanishing Point Monopoint Systems



**NOTE:** Omit this section if installing the track head to Track Systems. Refer to Section Three.

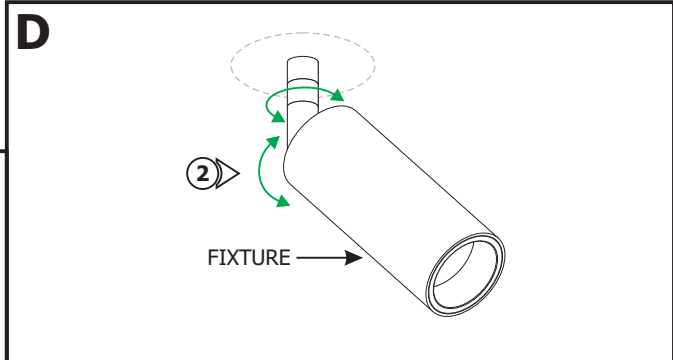
**NOTE:** Refer to the instructions provided with the Vanishing Point to install the system.

**1:** Plug the track head connector into the Vanishing Point connector. Use fingers to tighten the connector and secure in place.

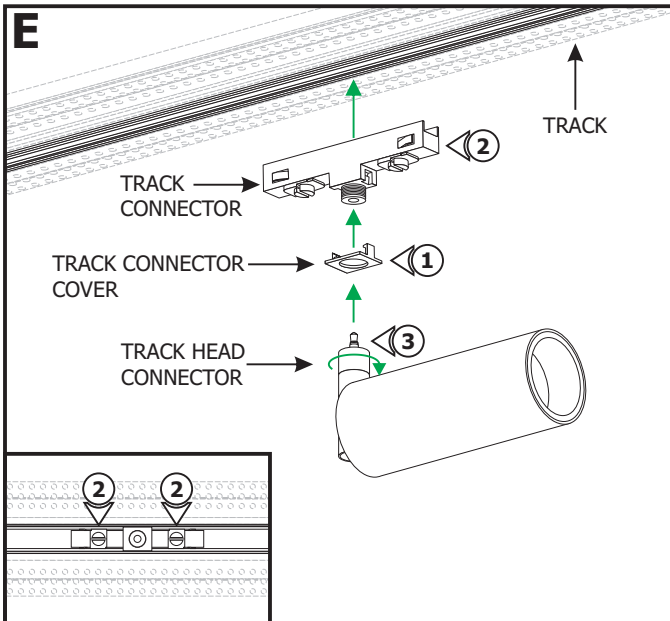
**2:** Adjust the fixture to the desired position by rotating the body vertically or horizontally.

**3:** Turn the power on.

**NOTE:** This fixture consumes **8** watts and contains integrated LED lamps which are rated for 50,000 hours.



## Section Three: Install the Track Head for Track Systems



**NOTE:** Omit this section if installing the track head to Vanishing Point Systems.

**NOTE:** Refer to the instructions provided with the track to install the system.

**1:** Snap the black or white cover onto the track connector.

**2:** Insert the track connector into the track. Tighten the slotted screws with a flat head screw driver to secure in place.

**3:** Plug the track head connector into the track connector. Use fingers to tighten the connector and secure in place.

**4:** Adjust the fixture to the desired position by rotating the body vertically or horizontally.

**5:** Turn the power on.

**NOTE:** This fixture consumes **8** watts and contains integrated LED lamps which are rated for 50,000 hours.

