



1718 W. Fullerton Chicago, IL 60614
 Ph: 773.770.1195 • Fax: 773.935.5613
 www.PureEdgeLighting.com • info@PureEdgeLighting.com
 © 2016 PureEdge Lighting. All Rights Reserved.

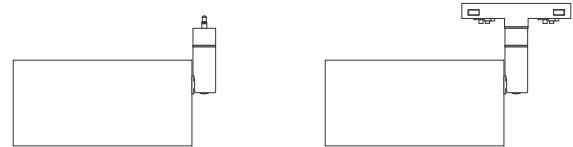
Installation Instructions for **Tubo Large Vanishing Point and Tubo Large Track Head**

FJ24-TUBL_
T24-TUBL_

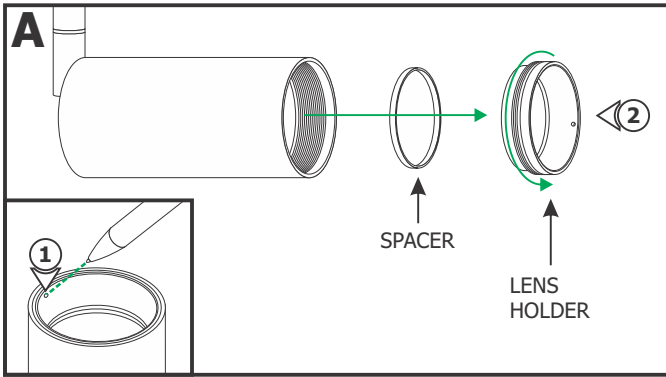
IMPORTANT INFORMATION

- This product is suitable for indoor locations.
- Ensure that power to the electrical box is **OFF** before beginning installation.
- These lighting fixtures must be used with PureEdge Lighting 24 volt Vanishing Point Monopoint system and track systems only.
- This product is dimmable when the system is powered with PureEdge 0-10 volt, ELV and Universal power supplies.

SAVE THESE INSTRUCTIONS!

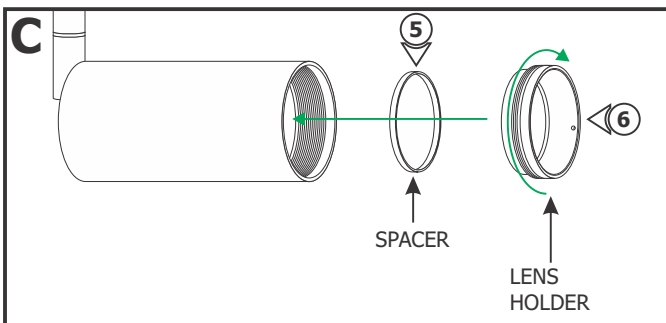
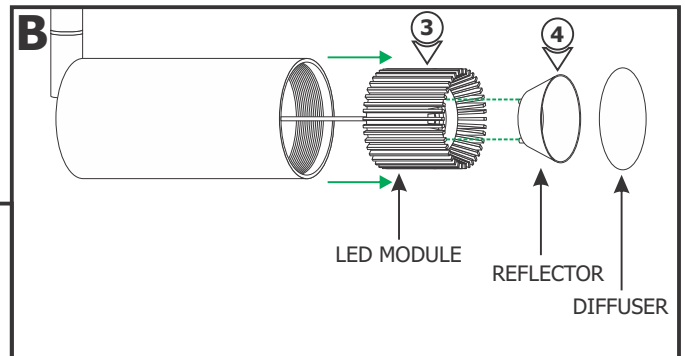


Section One: Replace the Reflector and Diffuser



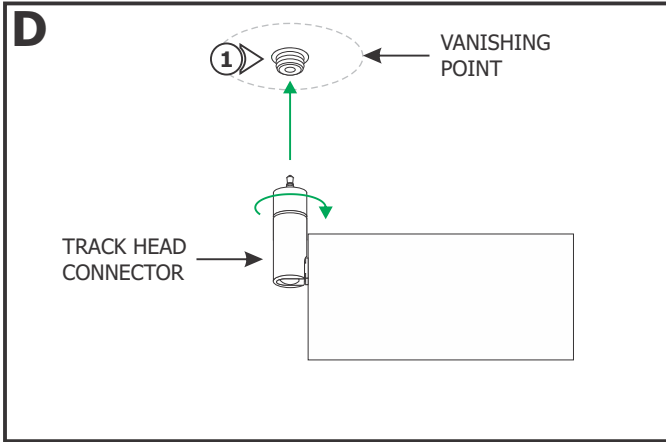
- 1: Use a pen or small Allen wrench to loosen the lens holder.
- 2: Unscrew the lens holder counter-clockwise and remove the lens holder and spacer from the fixture.

- 3: Carefully remove the diffuser, reflector and LED module from the fixture.
- 4: Replace the reflector by aligning the pegs with the LED module holes.



- 5: Push the LED module, reflector, diffuser and spacer back inside the fixture.
- 6: Screw the lens holder back clockwise to secure in place.

Section Two: Install the Track Head for Vanishing Point Monopoint Systems



NOTE: Omit this section if installing the track head to Track Systems. Refer to Section Three.

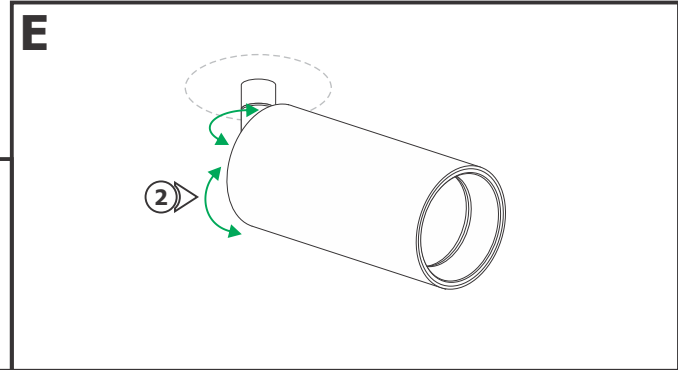
NOTE: Refer to the instructions provided with the Vanishing Point to install the system.

1: Plug the track head connector into the Vanishing Point connector. Use fingers to tighten the connector and secure in place.

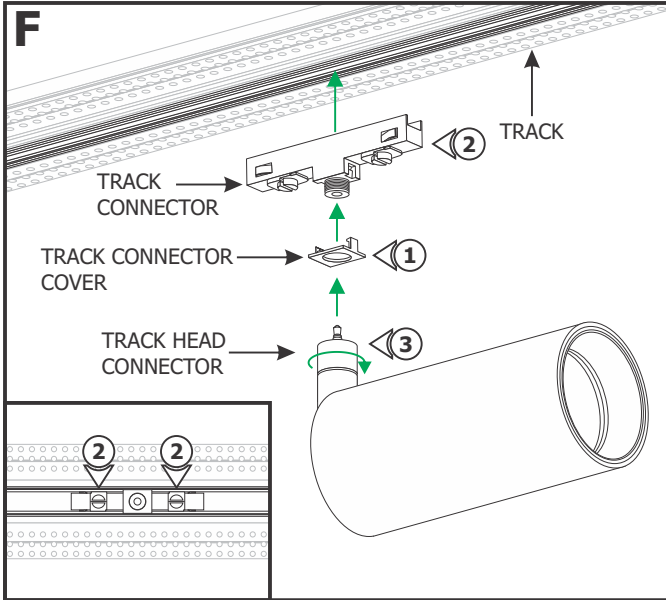
2: Adjust the fixture to the desired position by rotating the body vertically or horizontally.

3: Turn the power on.

NOTE: This fixture consumes **15** watts and contains integrated LED lamps which are rated for 50,000 hours.



Section Three: Install the Track Head for Track Systems



NOTE: Omit this section if installing the track head to Vanishing Point Systems.

NOTE: Refer to the instructions provided with the track to install the system.

1: Snap the black or white cover onto the track connector.

2: Insert the track connector into the track. Tighten the slotted screws with a flat head screw driver to secure in place.

3: Plug the track head connector into the track connector. Use fingers to tighten the connector and secure in place.

4: Adjust the fixture to the desired position by rotating the body vertically or horizontally.

5: Turn the power on.

NOTE: This fixture consumes **15** watts and contains integrated LED lamps which are rated for 50,000 hours.

