



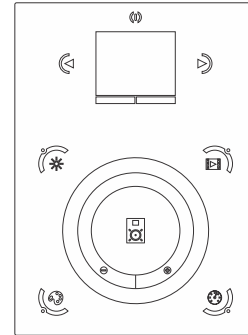
1718 W. Fullerton Chicago, IL 60614  
 Ph: 773.770.1195 • Fax: 773.935.5613  
 www.PureEdgeLighting.com • info@PureEdgeLighting.com  
 © 2016 PureEdge Lighting. All Rights Reserved.

## Installation Instructions for CTP Color Touch Screen Controller with Power Adapter

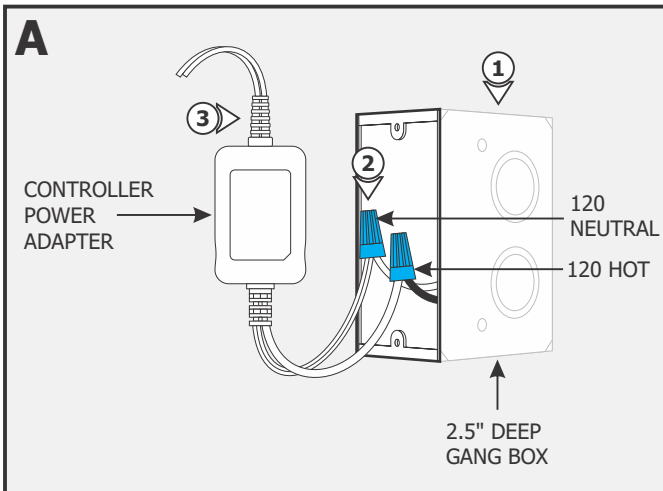
### IMPORTANT INFORMATION

- This instruction shows a typical installation.
- This product mounts to a 2.5" deep single or double gang box.
- This product works with any DMX decoder.
- This product must be installed by a qualified electrician.
- Ensure that the cables are secured tightly in the connector.
- Check if the output voltage of any LED power supplies used comply with the working voltage of the product.

**SAVE THESE INSTRUCTIONS!**

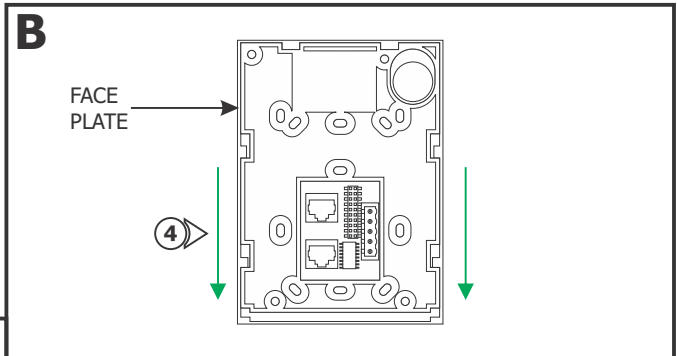


### Install the Controller

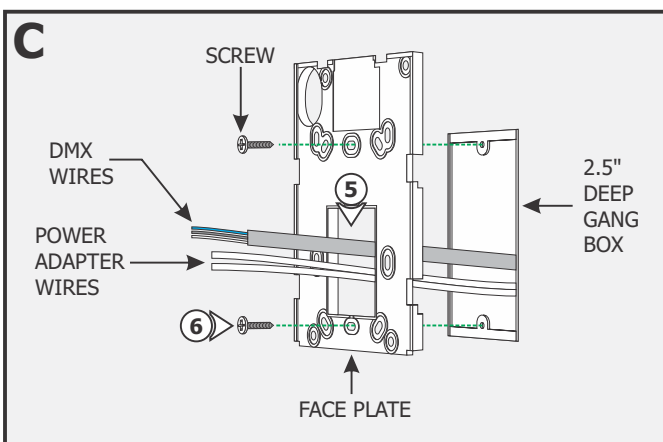


**NOTE:** Before beginning any electrical work, ensure that power to the electrical box is turned off.

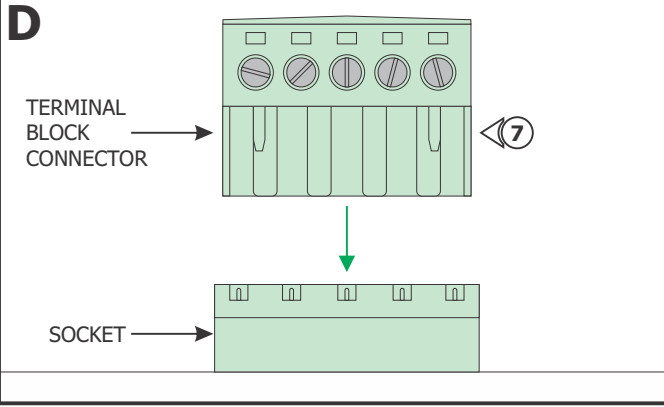
- 1: Install a 2.5" deep single or double gang box.
- 2: Cut and strip the 120VAC input cable of the power adapter. Connect the wires of the power adapter to the 120V hot and neutral with wire nuts.
- 3: Place the controller power adapter inside the deep gang box.



- 4: Slide down the face plate and remove it from the interface.



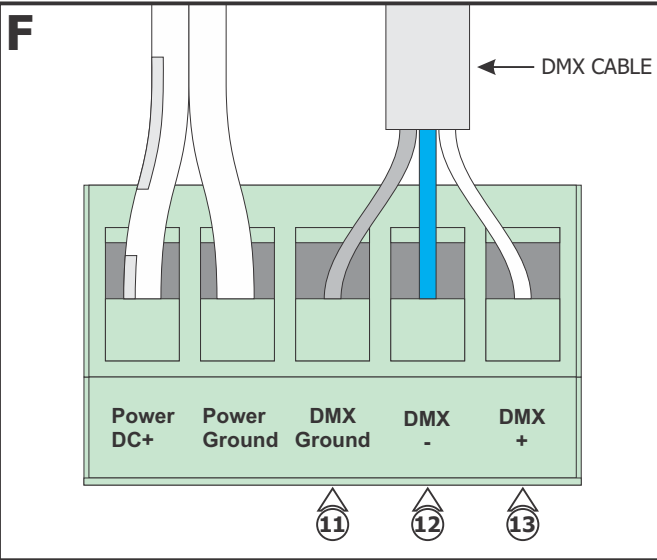
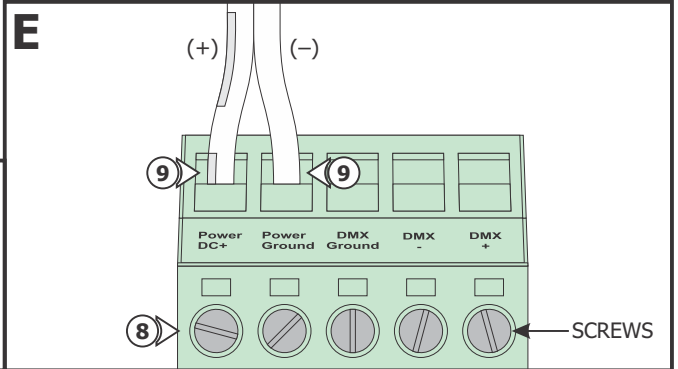
- 5: Feed the power adapter wires and DMX wires through the face plate.
- 6: Align the face plate with the deep gang box and secure with screws.



**7:** Connect the 5 Pin Terminal Block Connector to the Block Connector socket on the CTP controller.

**8:** Loosen the screws under "Power DC+" and "Power Ground" terminals of the Connector Block with a flat head screw driver.

**9:** Insert the wire with lines into the "Power DC+" terminal and the other wire into "Power Ground" terminal and tighten the screws.



**10:** Loosen the screws under the "DMX Ground," "DMX-" and "DMX+" terminals of the Connector Block with a flat head screw driver.

**11:** Insert one data wire (bare shield wire) into the "DMX Ground" terminal and tighten the screw.

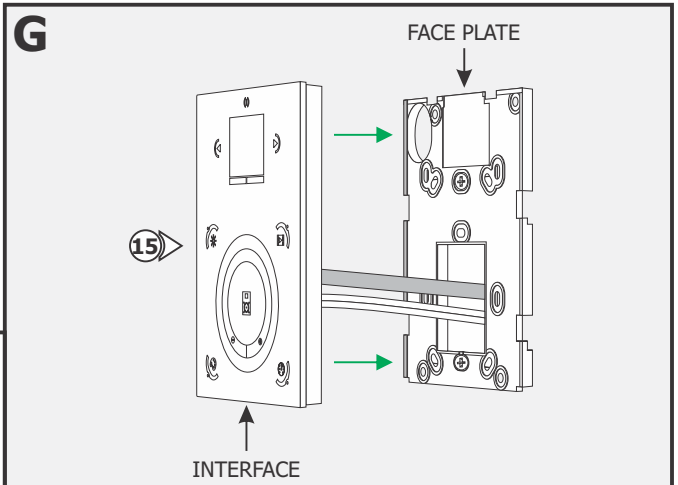
**12:** Insert the second data wire (blue with white stripes wire) into the "DMX-" terminal and tighten the screw.

**13:** Insert the third data wire (white with blue stripes wire) into the "DMX+" terminal and tighten the screw.

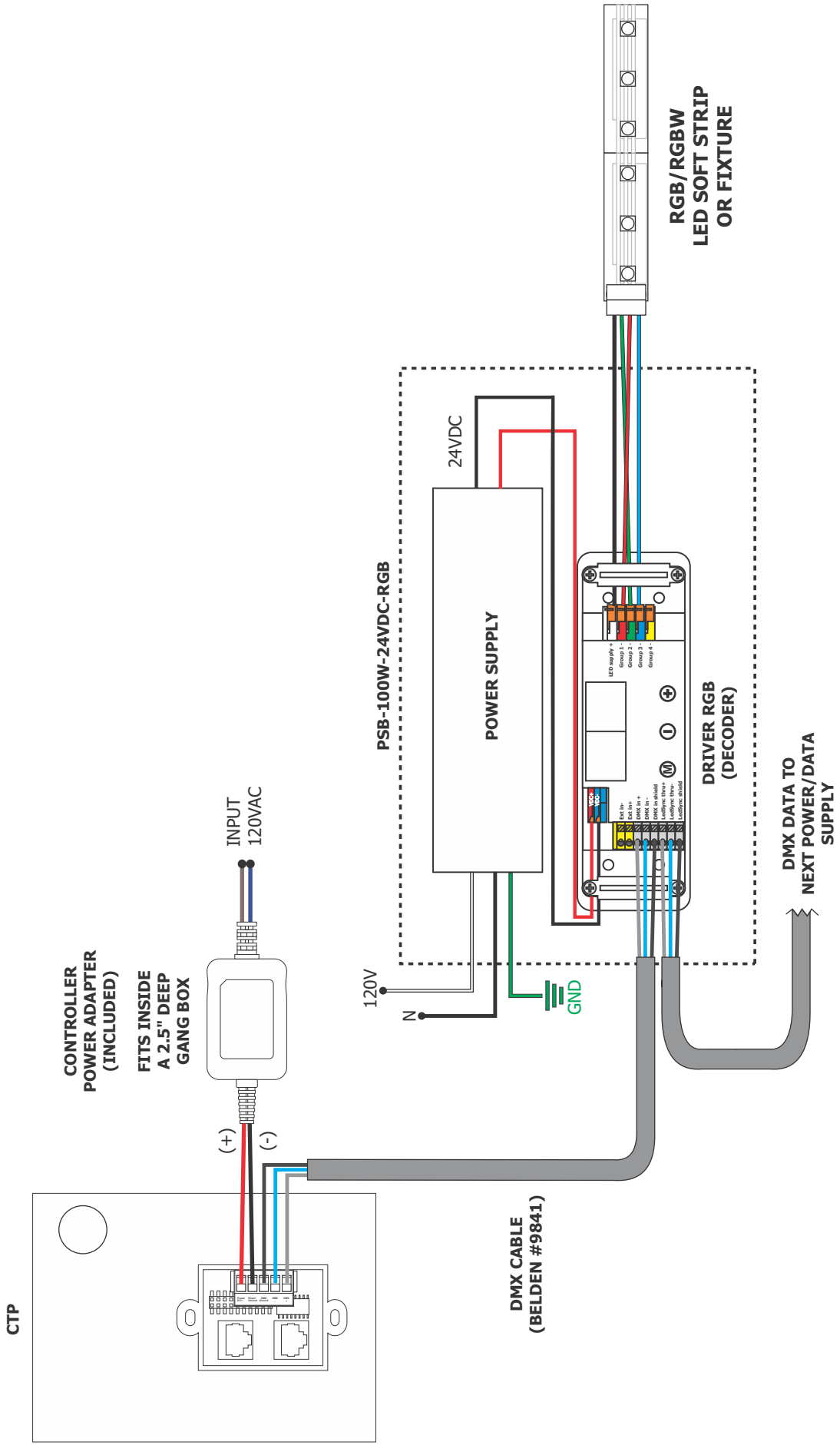
**14:** Refer to the instructions with the DMX power supply to connect the DMX wires and complete the installation.

**15:** Press the interface against the face plate and then slide down to secure in place.

**16:** Reference the provided CD or manufacturer's instructions for software and programming the controller.

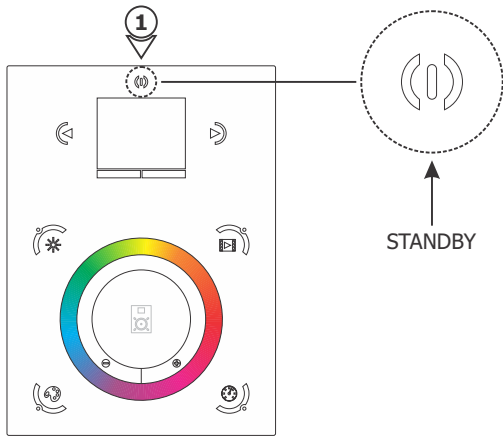


# GENERAL WIRING DIAGRAM (RGB SHOWN)



# General Operational Guide

**H**



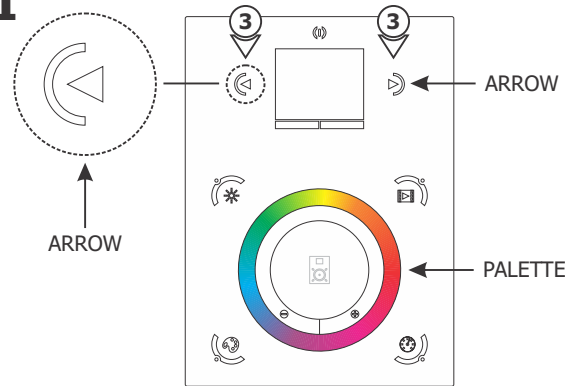
**NOTE:** Reference the provided CD or manufacture's instructions for programming the controller or visit <https://www.nicolaudie.com/stick-de3.htm>

**NOTE:** The controller is a soft action device, expect two seconds response time.

**1:** Press the Standby to turn the device on and off.

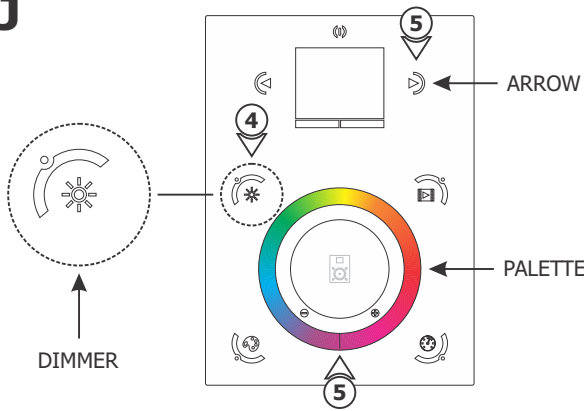
**2:** Hold the Standby button for 3 seconds to access the Settings Menu.

**I**



**3:** Use the Arrows or the Palette to scroll through the Settings Menu.

**J**



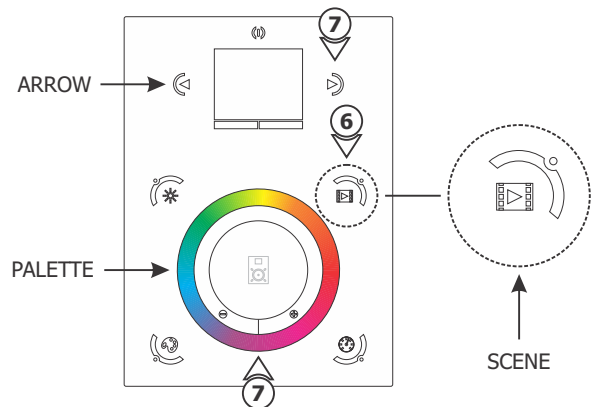
**4:** Press the Dimmer button to activate the dimming mode.

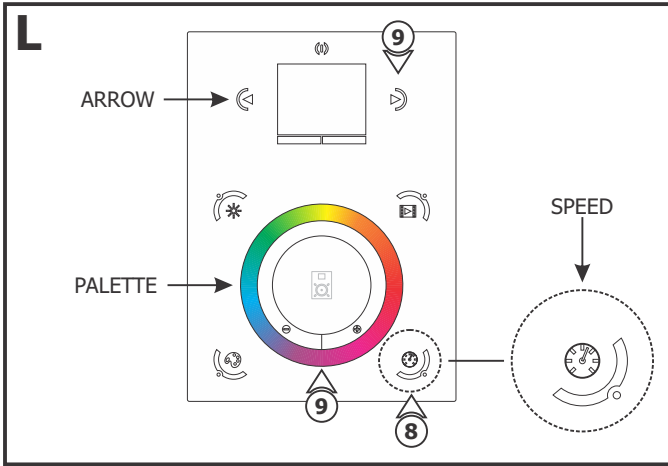
**5:** Use the Arrows or Palette to dim up or dim down the scene.

**6:** Press the Scene button to activate the scene mode.

**7:** Use the Arrows or Palette to scroll through preset scenes.

**K**



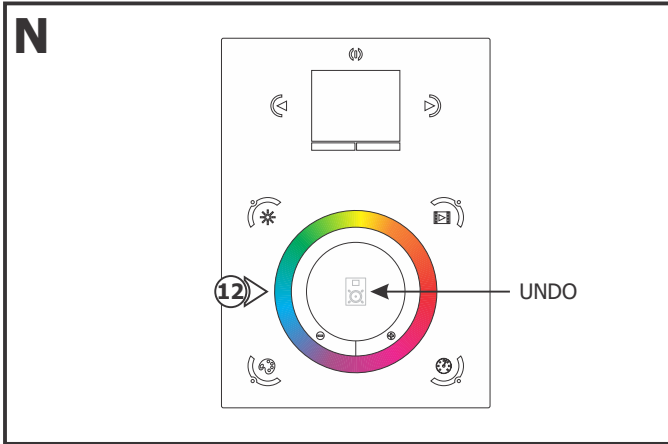
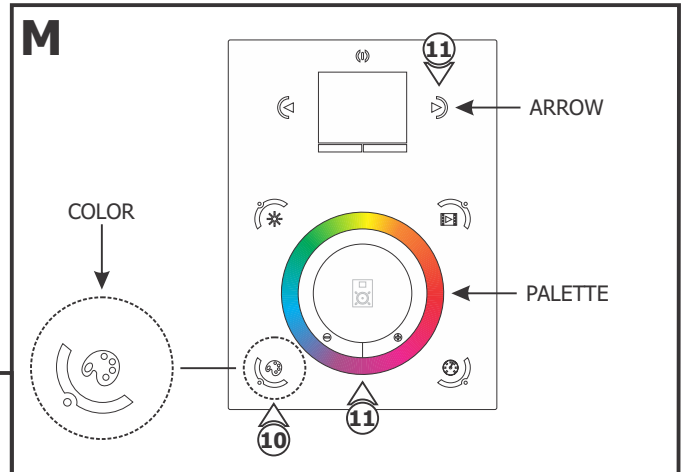


**8:** Press the Speed button to activate the speed mode.

**9:** Use the arrows or palette to adjust the speed of preset shows.

**10:** Press the Color button to activate the Color mode.

**11:** Use the Arrows or Palette to change the color of the scene.



**12:** Tap the center button to undo the most recent action. Press and hold the center button to reset the scene.