



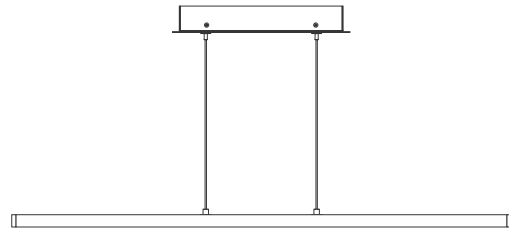
1718 W. Fullerton Chicago, IL 60614  
 Ph: 773.770.1195 • Fax: 773.935.5613  
 www.PureEdgeLighting.com • info@PureEdgeLighting.com  
 © 2016 PureEdge Lighting. All Rights Reserved.

# Installation Instructions for Cirrus Suspension Downlight with Power, Center Feed, Tunable White CS\_P-C\_

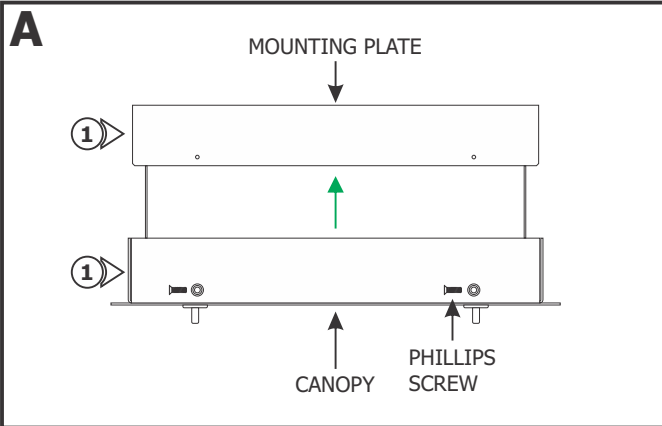
## IMPORTANT INFORMATION

- This product is suitable for indoor locations.
- This instruction shows a typical installation.
- 12" Rectangle Canopy shown for demonstration purposes.
- Two additional aircraft cables are added for support when the fixture lengths are 72 inches and longer.

**SAVE THESE INSTRUCTIONS!**

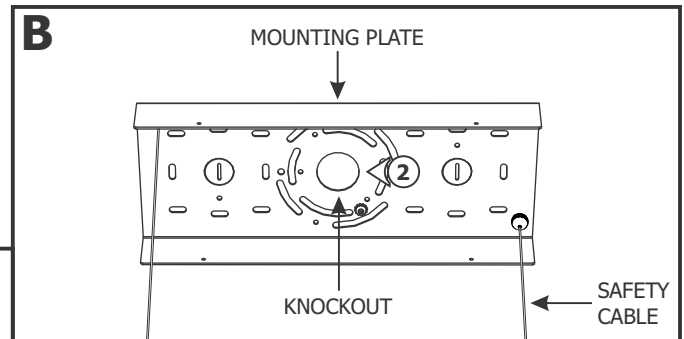


## Section One: Install the Canopy

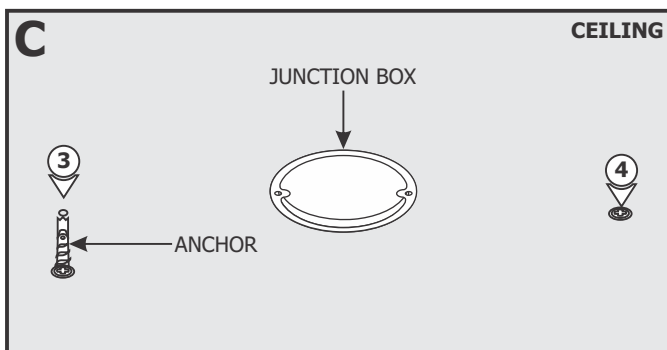


**1:** Remove the four Phillips screws from the canopy to remove the mounting plate.

**NOTE:** It is recommended more than one person to assist in this installation.



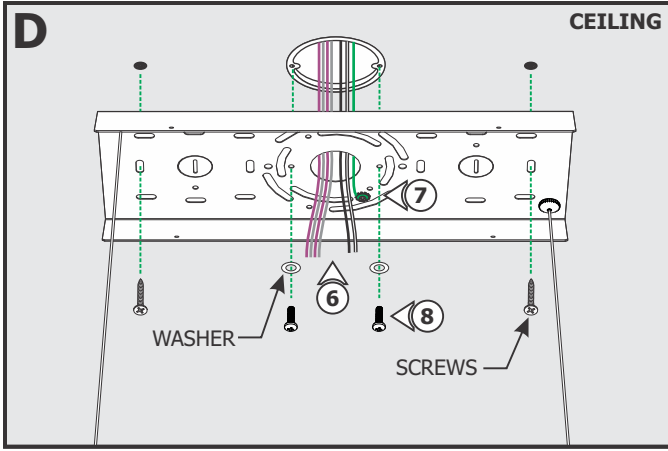
**2:** Select the appropriate knockout on the mounting plate and remove it using a flathead screwdriver or other appropriate tool.



**3:** Align the mounting plate holes with the junction box. Mark one point on each side of the junction box onto the ceiling.

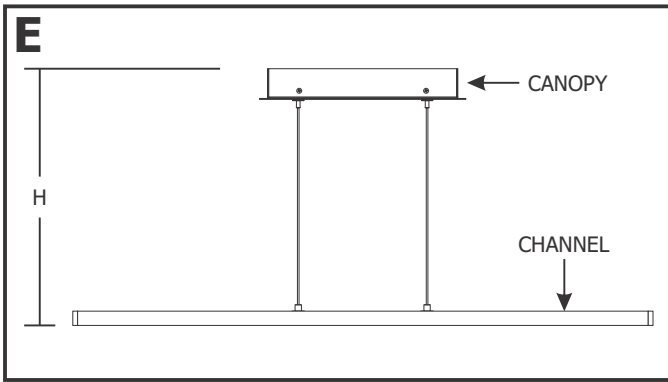
**NOTE:** Omit step 4 if mounting directly onto a wood surface.

**4:** Tap the anchors onto the marked points up to the threaded portion with a hammer. Then screw in the threaded portion with a Phillips screw driver.

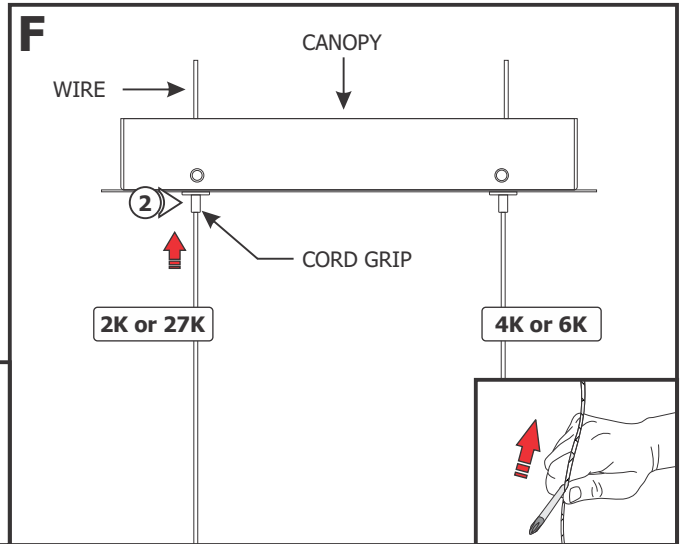


- 5:** Install the 0-10V controllers. Refer to the instructions provided with the controllers. Run the wires from the controllers to the junction box.
- 6:** Feed the line voltage power wires and 0-10V controller wires through the mounting plate knockout.
- 7:** Make sure the mounting plate is grounded in accordance with local electrical codes.
- 8:** Secure the mounting plate to the junction box and anchors using the provided screws and washers.

## Section Two: Power the Fixture

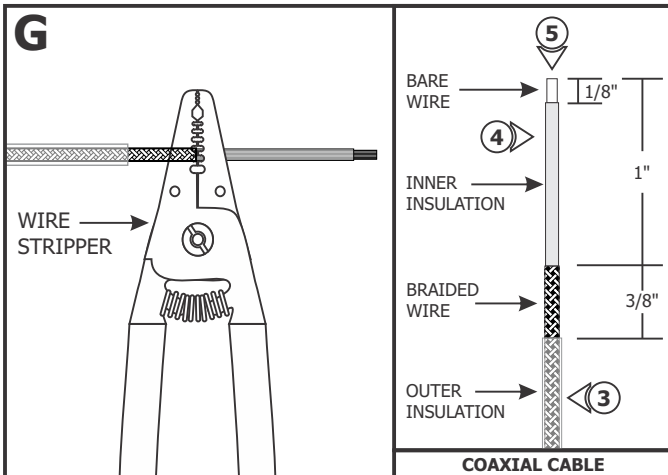


- 1:** Determine the fixture height (H), from the bottom of the channel to the top of the canopy.



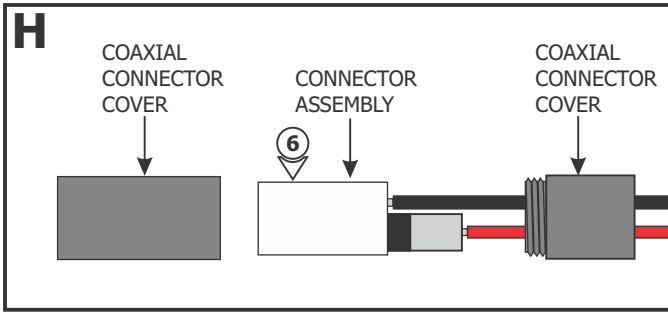
- 2:** Push each cable through the cord grips on the canopy. Push the cord grip to release the cable.

**NOTE:** If cable is curled or kinked, straighten by holding between the shaft of a screwdriver and thumb and pulling the cable through.



**NOTE:** Scan the QR Code to watch the video clip of the following steps or visit [www.PureEdgeLighting.com/video\\_feed/installation\\_cxc\\_connector](http://www.PureEdgeLighting.com/video_feed/installation_cxc_connector)

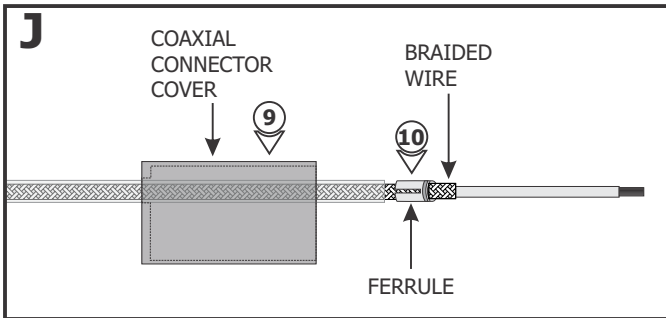
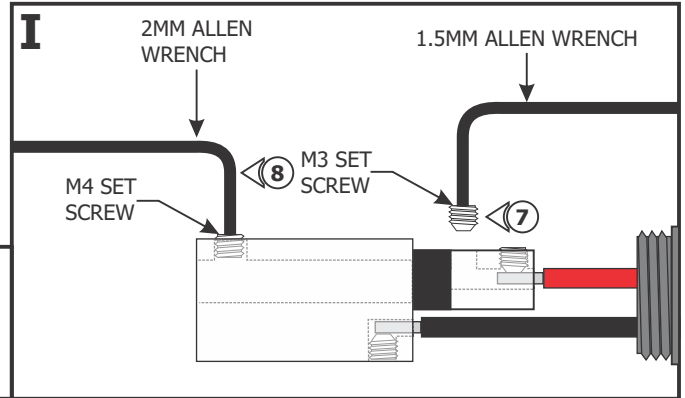
- 3:** Use the 18AWG hole of the wire stripper to remove 1-3/8" of the outer insulation to expose the braided wire.
- 4:** Use the 18AWG hole of the wire stripper to remove 1" of the braided wire making sure not to nick the inner wire insulation.
- 5:** Use the 20AWG hole of the wire stripper to remove 1/8" of the inner insulated wire.



**6:** Unscrew the coaxial connector covers and remove from the connector assembly.

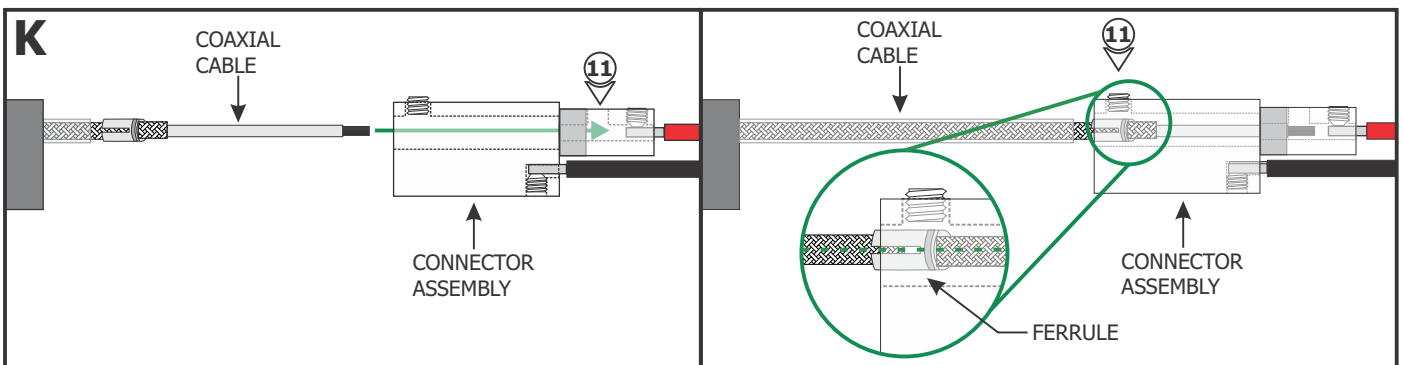
**7:** Using the provided 1.5mm Allen wrench, remove the M3 set screw from the coaxial connector assembly.

**8:** Using the provided 2mm Allen wrench to loosen (do not remove) the M4 set screw.



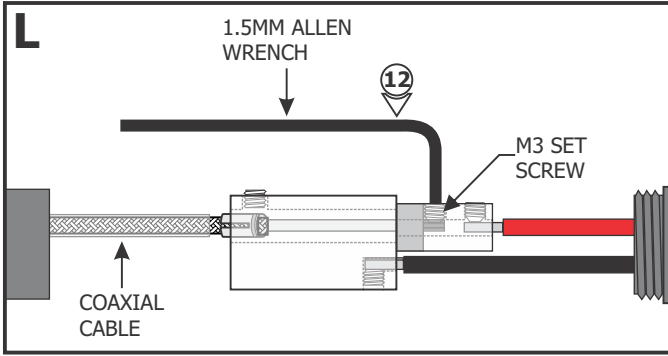
**9:** Slide the connector cover over the coaxial cable.

**10:** Place the ferrule over the 3/8" braided wire of the coaxial cable.

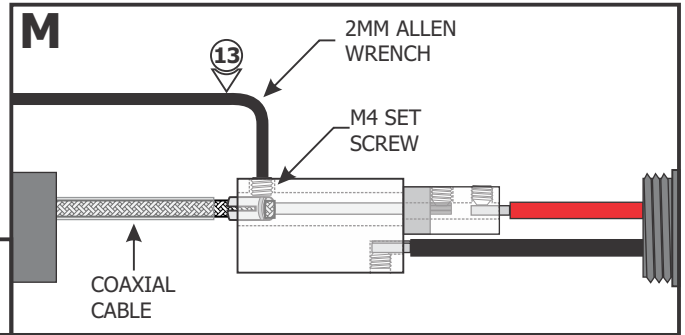


**11:** Insert the coaxial cable into the coaxial connector until the wires of the center conductor are visible through the M3 set screw hole.

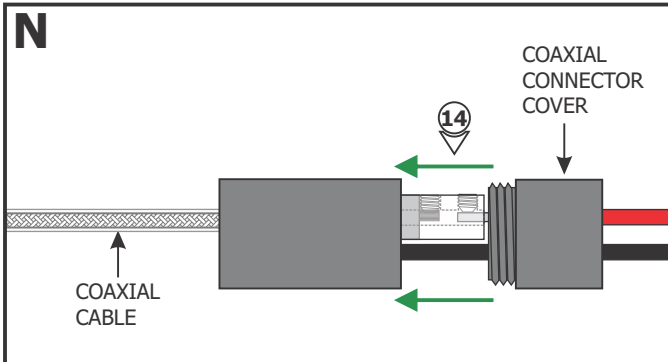
**NOTE:** Ensure that the split in the ferrule is aligned 90° from the M4 set screw (see inset).



**12:** Use the provided 1.5mm Allen wrench to replace and securely tighten the M3 set screw.



**13:** Use the provided 2mm Allen wrench to securely tighten the M4 set screw until it squeezes the wire ferrule tightly to the coaxial cable.



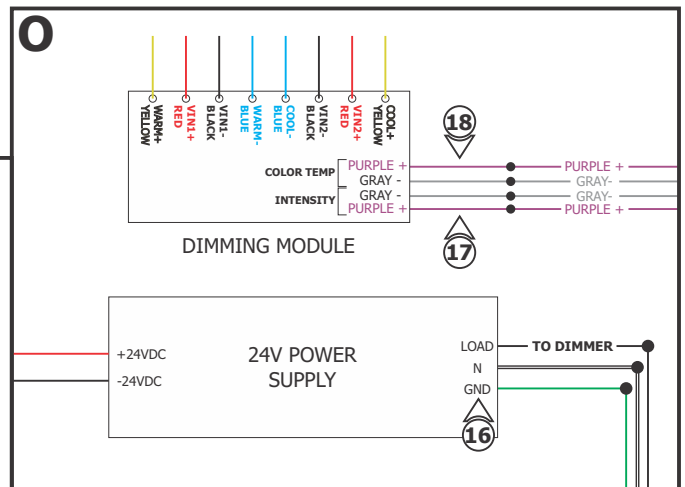
**14:** Replace the coaxial connector cover and tighten into place.

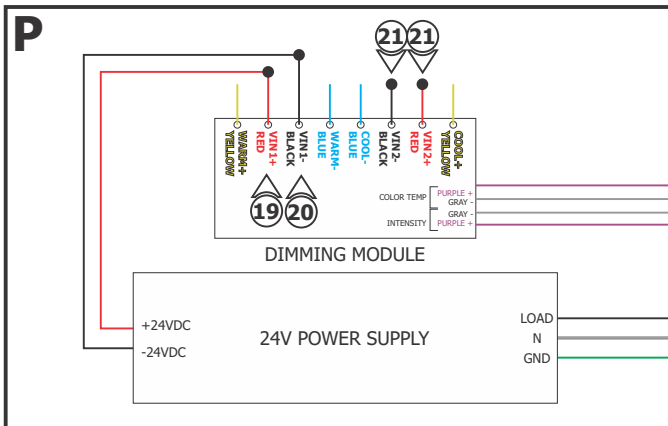
**15:** Repeat steps 3 through 14 for the other coaxial cable and connector.

**16:** Connect the 120-277V AC power wires. Ensure the power supply is grounded in accordance with local electrical codes.

**17:** Connect the bottom gray and purple dimming module wires to the gray and purple wires from one controller respectively using wire nuts.

**18:** Connect the top gray and purple dimming module wires to the gray and purple wires from the second controller respectively using wire nuts.

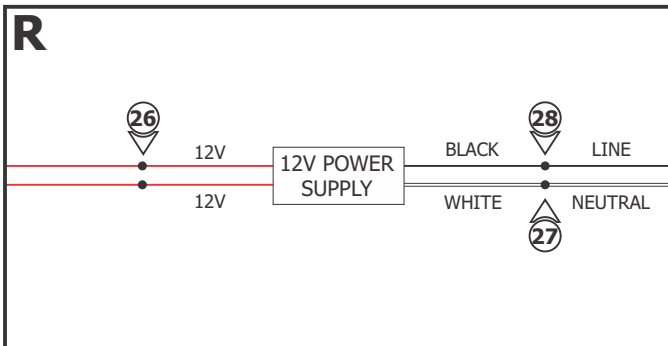
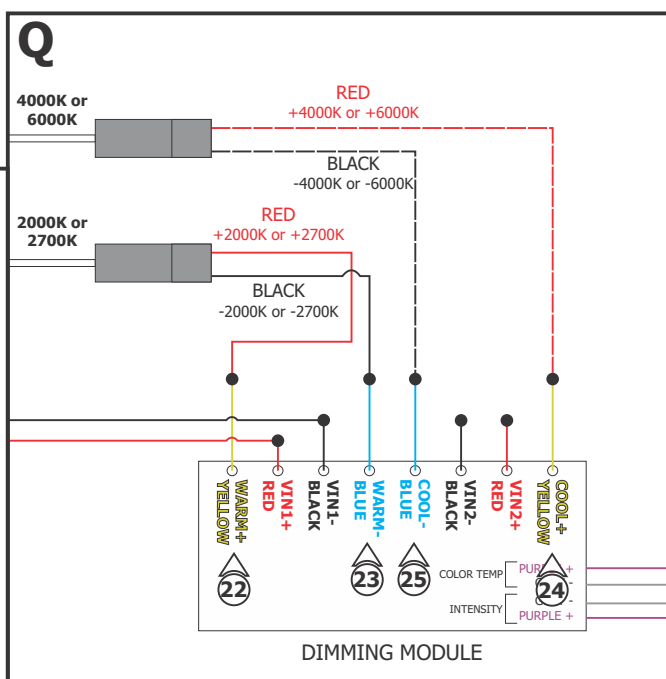




- 19:** Connect the +24VDC power supply wire to the Vin1+ Red dimming module wire using a wire nut.
- 20:** Connect the -24VDC power supply wire to the Vin1- Black dimming module wire using a wire nut.
- 21:** The Vin2+ Red and Vin2- Black wires are not used in this procedure. Cap the Vin2+ Red and Vin2- Black wires using wire nuts.

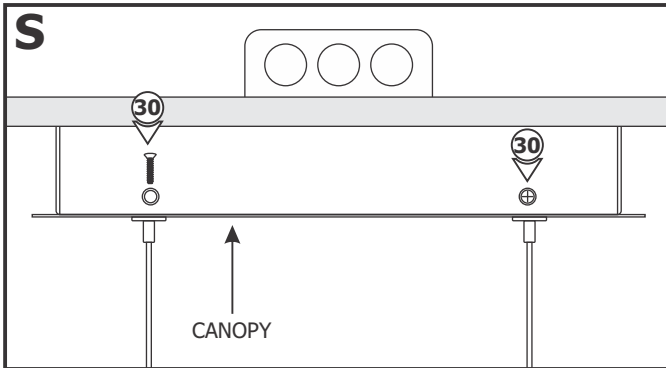
- 22:** Connect the red coaxial connector wire for +2000K or +2700K to the Warm+ Yellow dimming module wire using a wire nut.
- 23:** Connect the black coaxial connector wire for -2000K or -2700K to the Warm- Blue dimming module wire using a wire nut.
- 24:** Connect the red coaxial connector wire for +4000K or +6000K to the Cool+ Yellow dimming module wire using a wire nut.
- 25:** Connect the black coaxial connector wire for -4000K or -6000K to the Cool- Blue dimming module wire using a wire nut.

**CAUTION: Test the fixture before continuing.**



**For Models Configured with Fast Jack Port:**

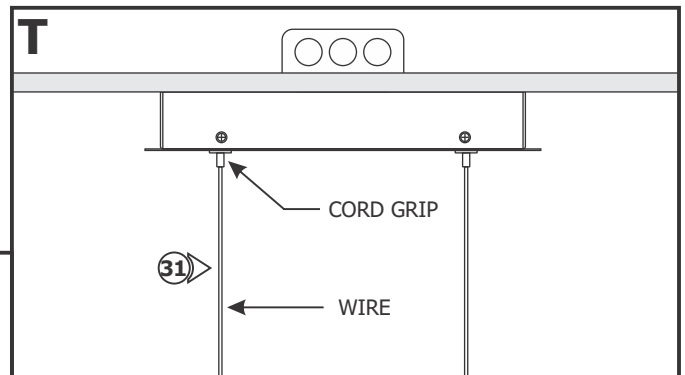
- 26:** Connect each low voltage red wire from the power supply to each red wire of the Fast Jack connector using a wire nut.
- 27:** Connect the neutral power wire from another 120VAC circuit to the white wire of the power supply using a wire nut.
- 28:** Connect the line wire from the same 120VAC circuit to the black wire of the same power supply using a wire nut.



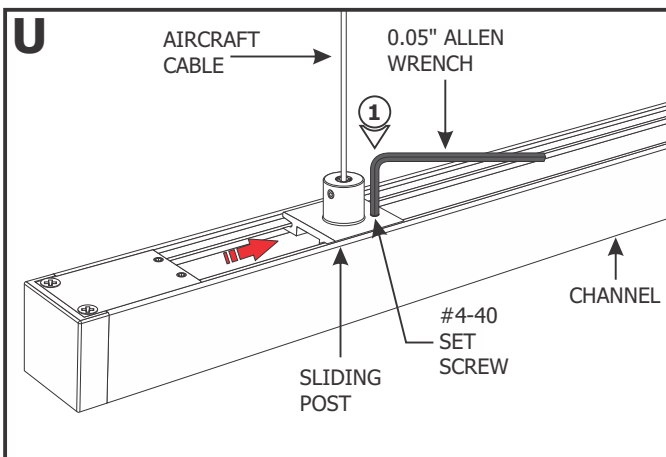
**29:** Place all the wires and wire nut connections inside the canopy.

**30:** Align and secure the canopy to the mounting plate by tightening the four screws.

**31:** To make any adjustments to the fixture height, push the cord grips to slide the fixture up and down until the desired height is achieved. Release the cord grips to lock the wires in place.



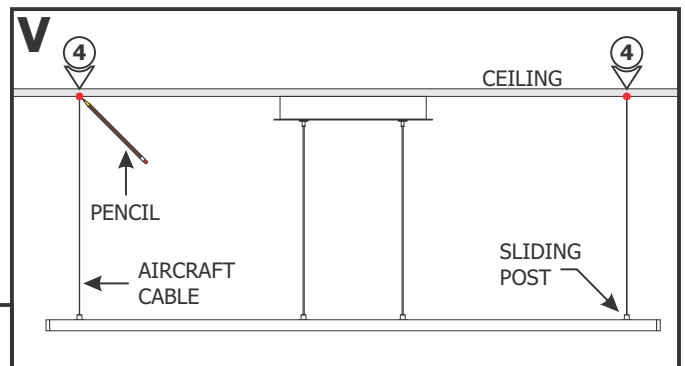
### Section Three: Install Additional Support

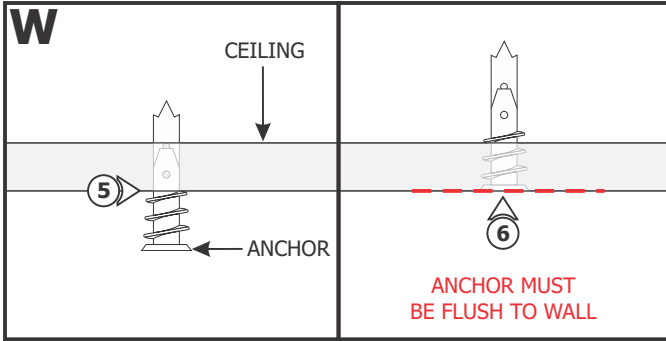


**NOTE:** Follow these steps if the Cirrus fixture (72 inches or longer) is provided with additional supports.

- 1:** Loosen (**DO NOT REMOVE**) the #4-40 set screw on the sliding post bed with a 0.05" Allen wrench.
- 2:** Carefully move the sliding post to the predetermined location on the channel and tighten the #4-40 set screw on the sliding post bed with the 0.05" Allen wrench.
- 3:** Repeat steps 1 and 2 for additional aircraft cables.

**4:** Lift the other end of the aircraft cables against the ceiling to mark the location of the standoffs.

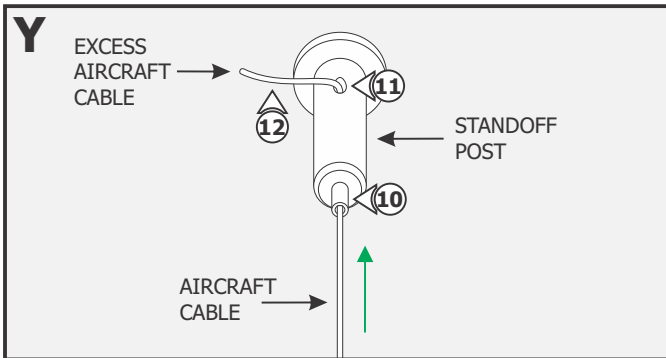
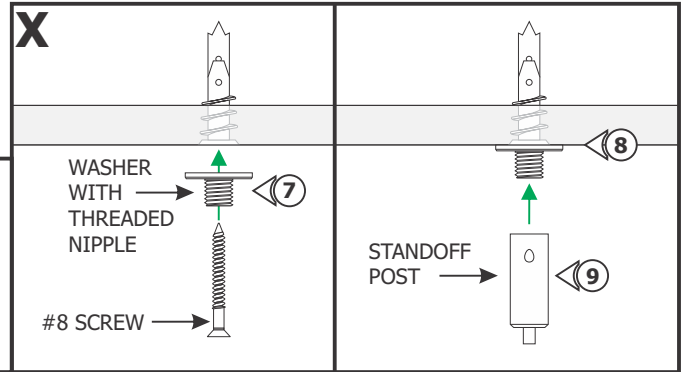




**NOTE:** Omit steps 5 and 6 if mounting directly onto a wood surface.

- 5:** Tap the anchors onto the marked points up to the threaded portion with a hammer.
- 6:** Screw in the threaded portion of the anchors with a Phillips screwdriver.

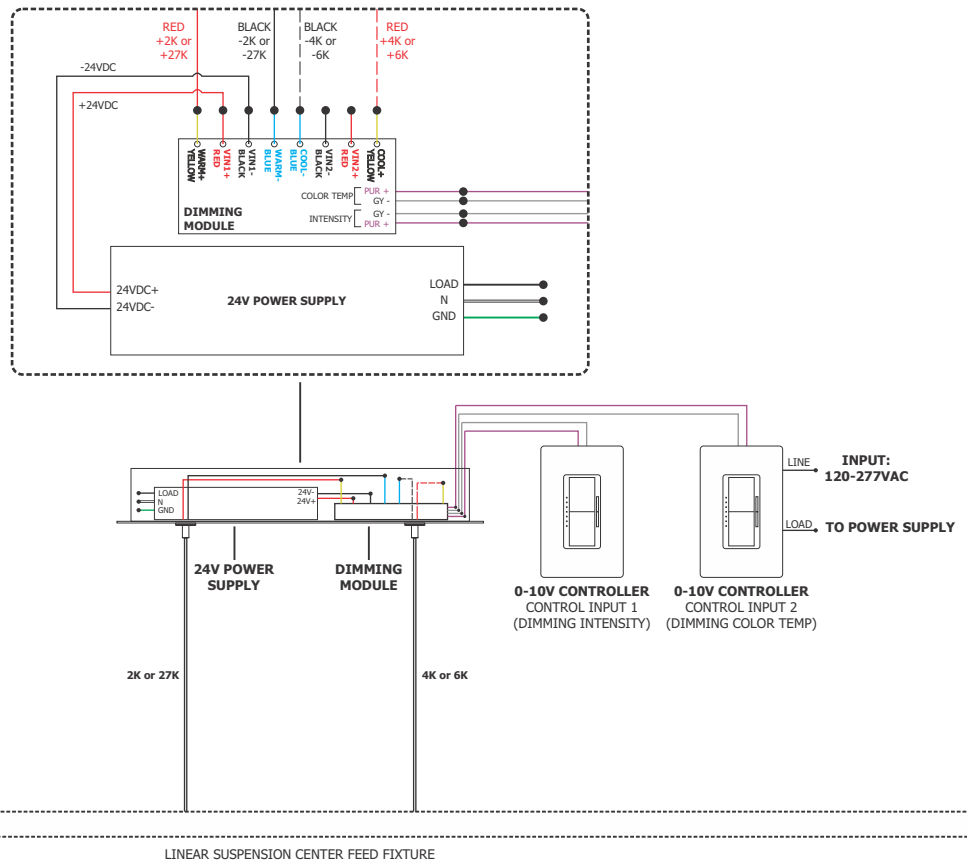
- 7:** Feed the #8 screw through the washer with threaded nipple into the anchor.
- 8:** Tighten the #8 screw completely into the anchor.
- 9:** Tighten the standoff post completely onto the threaded nipple.



- 10:** Feed the aircraft cable coming from the channel through the standoff post.
- 11:** Adjust the fixture height by pushing the tab and pulling the aircraft cable out of the side of the standoff post. Release the tab to secure the cable in place.
- 12:** If necessary, trim excess aircraft cable using sharp cutters.

# General Wiring Diagrams

**Tunable White: LED Power Supply with two Channel Controls, for Intensity and Color Temperature**



**Wiring for Fast Jack Port**

